



# Technical Data

## Booster Pump - GBWD 12-40

Revision no.

Page:

1

Receiver

From

Company name  
 Respons. Department  
 Person in charge  
 Phone number  
 Fax no  
 E-mail address



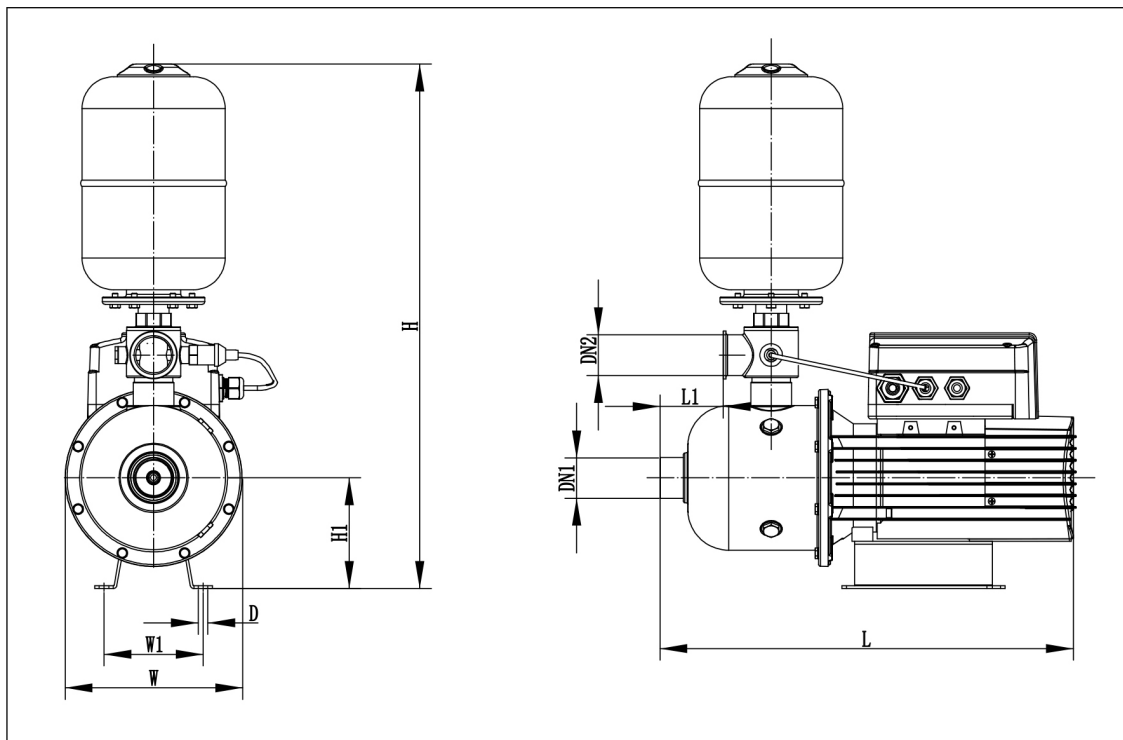


**Brand: Gol Pumps**  
**Model: GBWD 12-40**

**Features:**

- Automatic start/stop function
- Constant water supply
- Quiet & Low noise
- Easy to operate
- Energy-efficient
- Soft start

**Dimensions:**



Dimensions (inch)								
DN1	DN2	L	L1	W	W1	H	H1	D
2	2	18	2.8	7.7	4.3	23	5	0.5

Project	Project ID	Created by	Created on	Last update
---------	------------	------------	------------	-------------



# Performance Curves

## Booster Pump - GBWD 12-40

Revision no.

Page:  
2

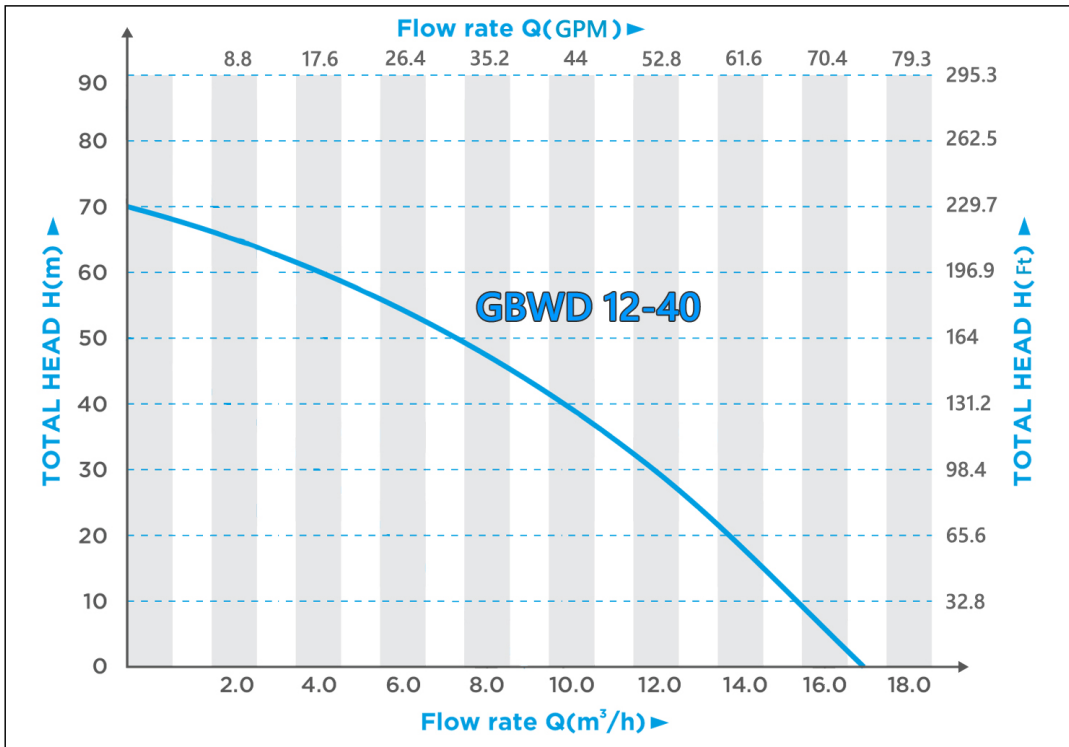
Receiver

From

Company name  
 Respons. Department  
 Person in charge  
 Phone number  
 Fax no  
 E-mail address



Model	Power		Voltage	Frequency	H. Max	H. Rate	Q. Max	Q. Rate	Max. Speed
	kW	hp	V	Hz	ft	ft	GPM	GPM	RPM
<b>GBWD 12-40</b>	2.2	3	220	50/60	223	131	88	53	4500



Project	Project ID	Created by	Created on	Last update
---------	------------	------------	------------	-------------



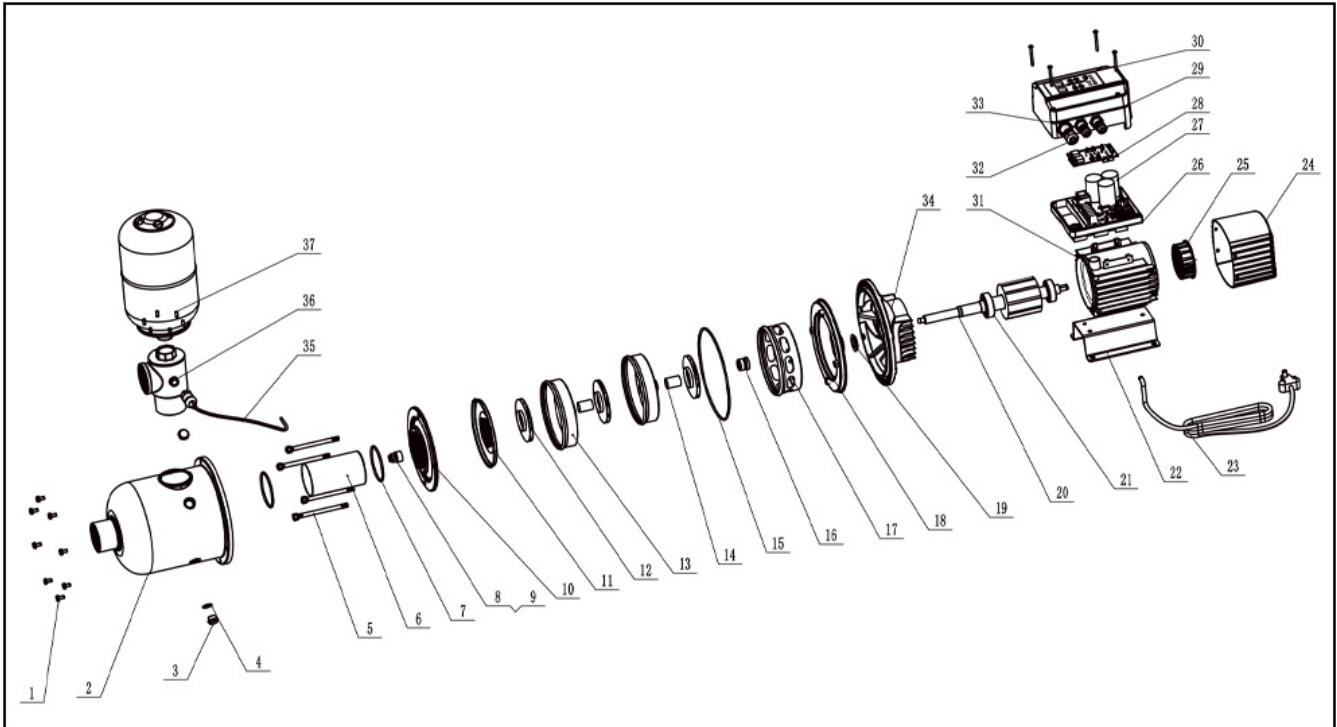
## Parts and Materials Booster Pump - GBWD 12-40

Revision no.

 Page:  
3

Receiver

From

 Company name  
 Respons. Department  
 Person in charge  
 Phone number  
 Fax no  
 E-mail address


Part No.	Description	Material
1	Self-Tapping Screws	06Cr19Ni10
2	Pump Body 1	06Cr19Ni10
3	Nut	06Cr19Ni10
4	O-Ring	EPDM
5	Self-Tapping Screws	06Cr19Ni10
6	Connecting Pipe	06Cr19Ni10
7	O-Ring	EPDM
8	Nut	06Cr19Ni10
9	Flat Pad	06Cr19Ni10
10	Fixed Disk	06Cr19Ni10
11	Cover Plate	06Cr19Ni10
12	Impeller	06Cr19Ni10
13	Diffuser	06Cr19Ni10
14	Shaft Sleeve	06Cr19Ni10
15	O-Ring	EPDM
16	Mechanical Seal	/
17	Diffuser	06Cr19Ni10
18	Seal Holder	06Cr19Ni10

Part No.	Description	Material
19	Shim	06Cr19Ni10
20	Rotor	06Cr19Ni10
21	Bearing	/
22	Bottom Plate	Q195
23	Cable	/
24	Wind Cover	ABS
25	Fan	PP
26	Controller Bottom Box	ZL102
28	Controller	/
29	Cover Box	ABS
30	Self-Tapping Screws	06Cr19Ni10
31	Motor	/
32	PG9	PA66
33	PG11	PA66
34	Bracket	ZL102
35	Sensor	06Cr19Ni10
36	5-Way Connector	06Cr19Ni10
37	Pressure Tank	IIR+PA66

Project

Project ID

Created by

Created on

Last update