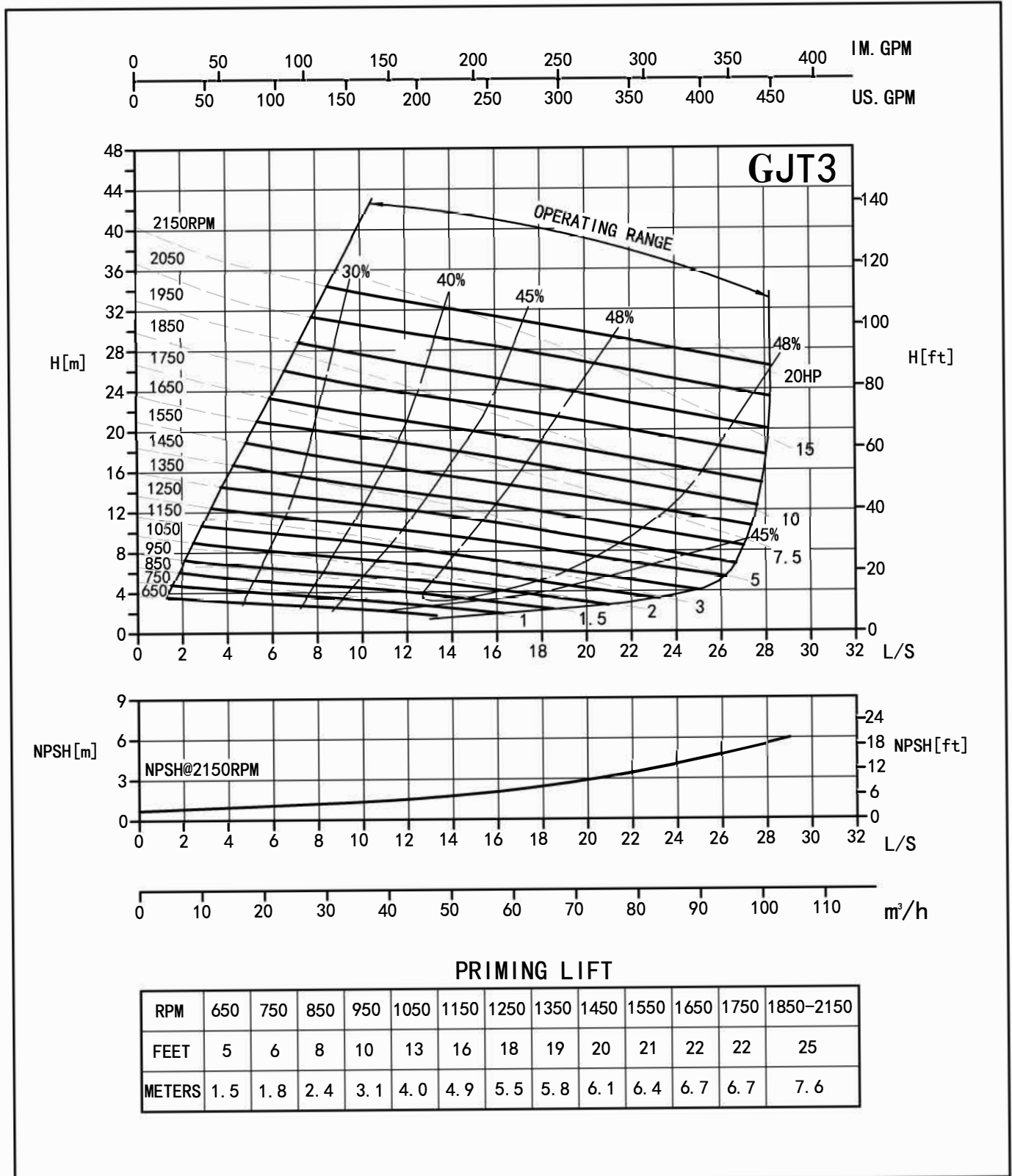




GOL PUMPS CO.

SELF-PRIMING CENTRIFUGAL SEWAGE PUMP PERFORMANCE CURVE GJT SERIES

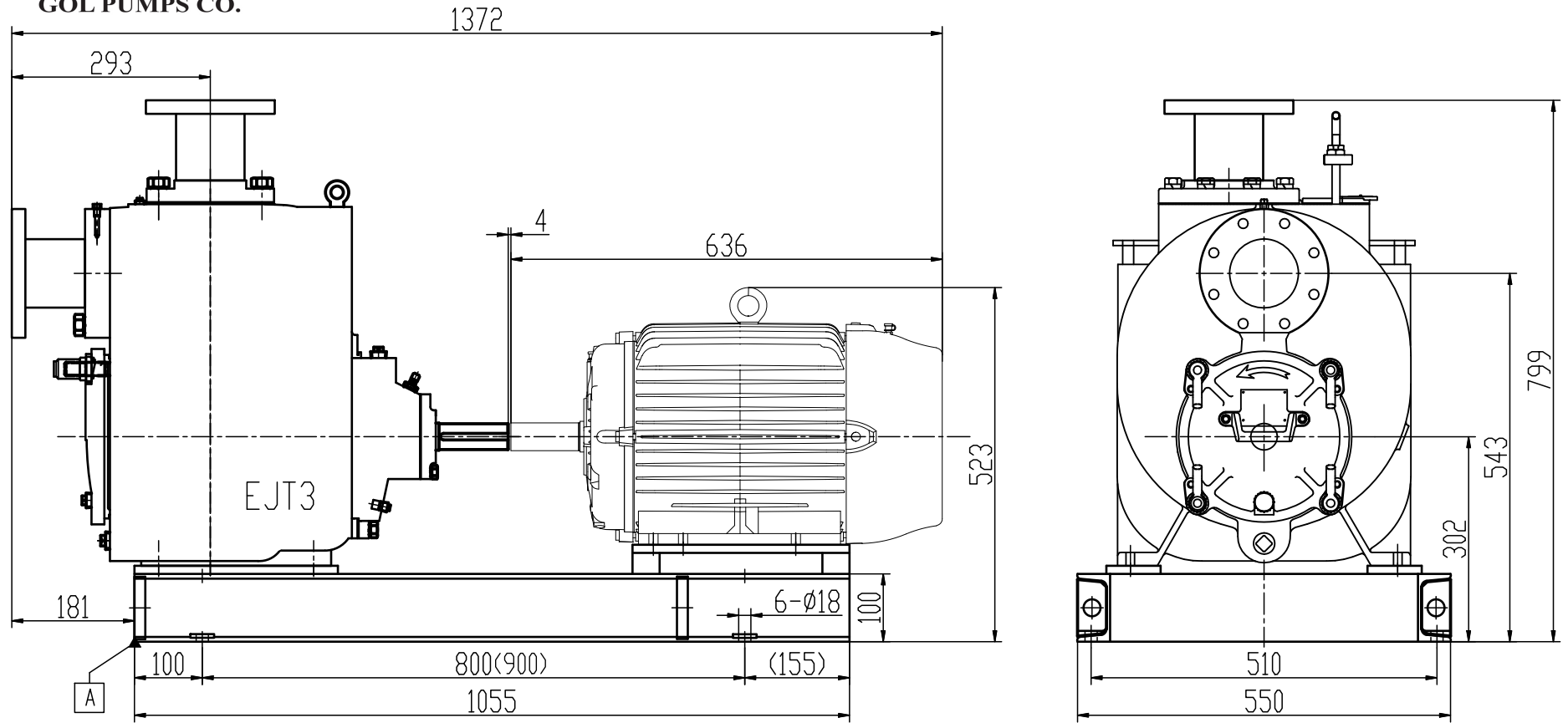


Performance to ISO9906 Grade 2 for clean cold water only



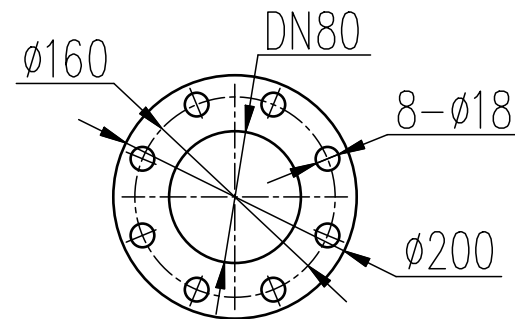
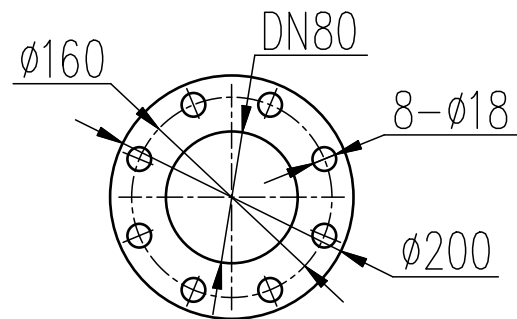
GOL PUMPS CO.

GJTD3-11004



Flange standard ANSI 125 PSI

Outlet



GJT Series Performance Table

Model	Speed	Capacity			Head		Power(kw)		Inlet	Solids		Repriming Lifts	
	rpm	m ³ /h	l/s	GAL/mi	m	FT	kW	HP	mm/in	mm	IN	m	FT
GJT3	650	25	6.9	109.4	3	9.8	0.75	1	80(3")	63	2	1.5	4.9
	750	30	8.3	131.6	3.5	11.5	1.1	1.5				1.8	5.9
	850	32.5	9	142.7	4.5	14.8	1.1	1.5				2.4	7.9
	950	40	11.1	175.9	5.5	18.0	1.5	2				3.1	10.2
	1050	42.5	11.8	187.0	7	23.0	2.2	3				4	13.1
	1150	45	12.5	198.1	8	26.2	3.7	5				4.9	16.1
	1250	50	13.9	220.3	9.5	31.2	3.7	5				5.5	18.0
	1350	52.5	14.6	231.4	11.5	37.7	5.5	7.5				5.8	19.0
	1450	55	15.3	242.5	13	42.6	5.5	7.5				6.1	20.0
	1550	60	16.7	264.7	14.5	47.6	7.5	10				6.4	21.0
	1650	65	18.1	286.9	16.5	54.1	11	15				6.7	22.0
	1750	70	19.4	307.5	18	59.0	11	15				6.7	22.0
	1850	72.5	20.1	318.6	21	68.9	11	15				7.6	24.9
	1950	75	20.8	329.7	23	75.4	15	20				7.6	24.9
	2050	80	22.2	351.9	26	85.3	15	20				7.6	24.9
2150	85	23.6	374.1	28	91.8	18.5	25	7.6	24.9				

G.P.T.CO

Gol pumps technology inc

6520Nw 77thCt ,Miami , Florida , USA

Tel. +1 (786)615-8984

E-mail info@golpumps.com www.golpumps.com