



# Technical Data

## Submersible Pump - GST 18-08

Revision no.

Page:  
1

Receiver

From

Company name  
Respons. Department  
Person in charge  
Phone number  
Fax no  
E-mail address



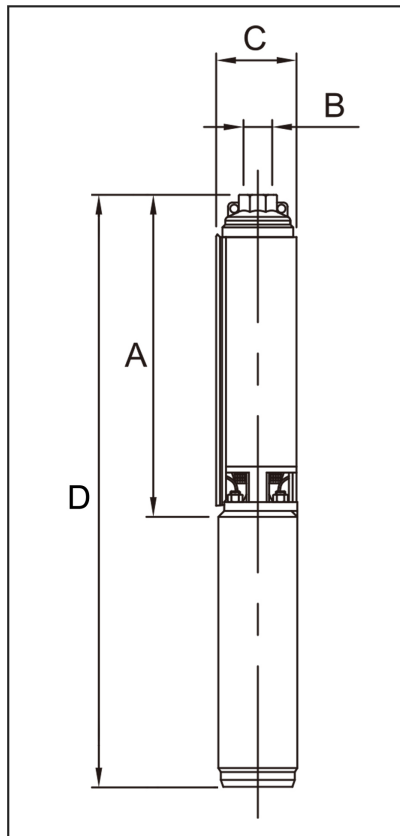


**Brand: Gol Pumps**  
**Model: GST 18-08**

Weight (lb)		
Pump	Motor	Pump + Motor
6.8	24.2	31

Cable	
Length (Ft)	AWG
3.9	14

**Dimensions:**



Outlet	Motor Dia.	Dimensions (inch)			
		A	B	C	D
NPT 1 1/4"	4"	12.7	1 1/4	3.9	24.4

Project

Project ID

Created by

Created on

Last update



# Performance Curves

## Submersible Pump - GST 18-08

Revision no.

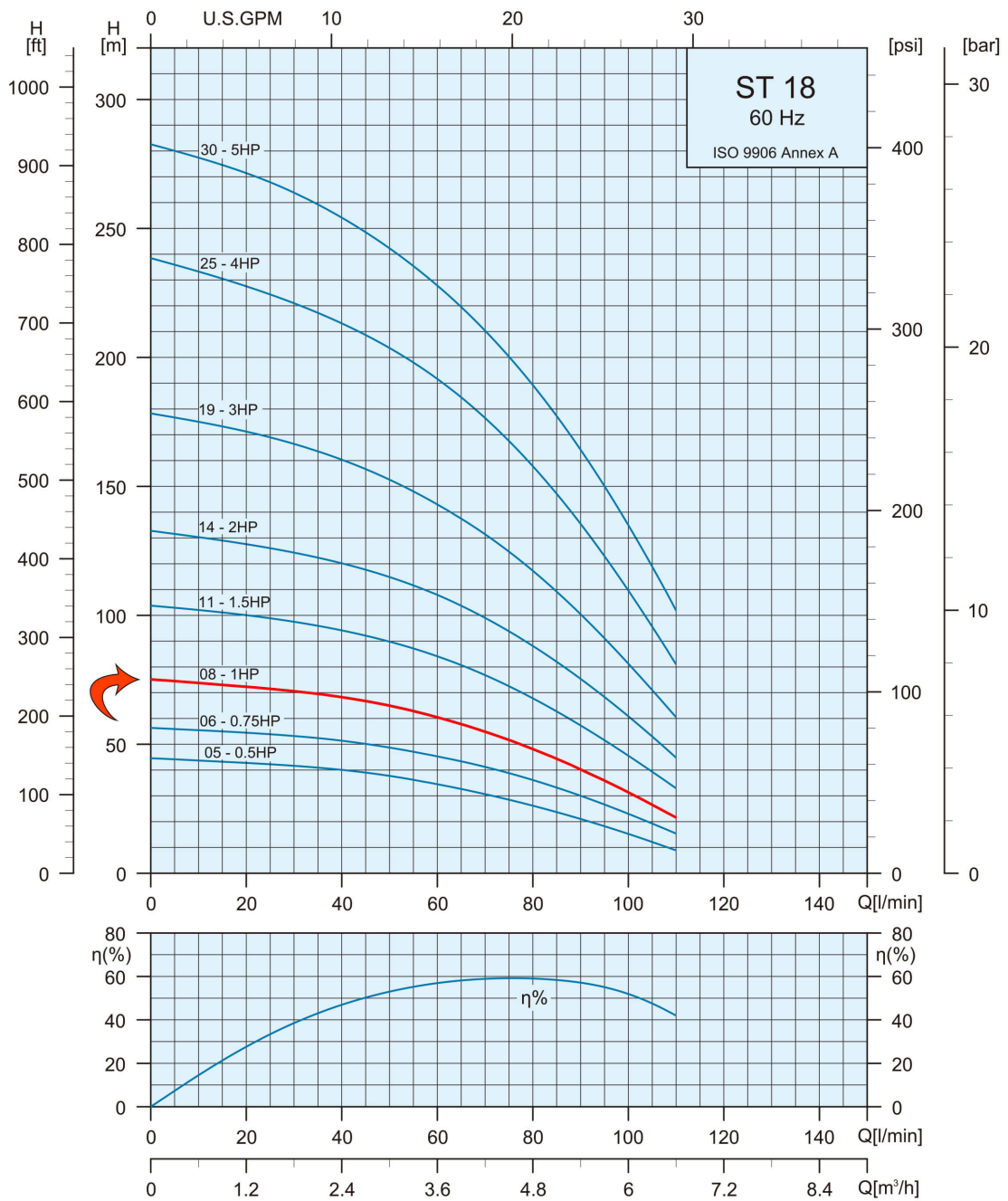
Page:  
2

Receiver

From

Company name  
Respons. Department  
Person in charge  
Phone number  
Fax no  
E-mail address


Pump Model	Motor		Q Capacity 3500RPM										
	kW	HP	Gal/Min	0	9.2	10.6	13.2	15.9	18.5	21.1	23.8	26.4	29.1
GST 18-08	0.75	1	Head in Feet	246	230	223	213	200	180	161	135	105	72



Project	Project ID	Created by	Created on	Last update
---------	------------	------------	------------	-------------



## Part List and Materials Submersible Pump - GST 18-08

Revision no.

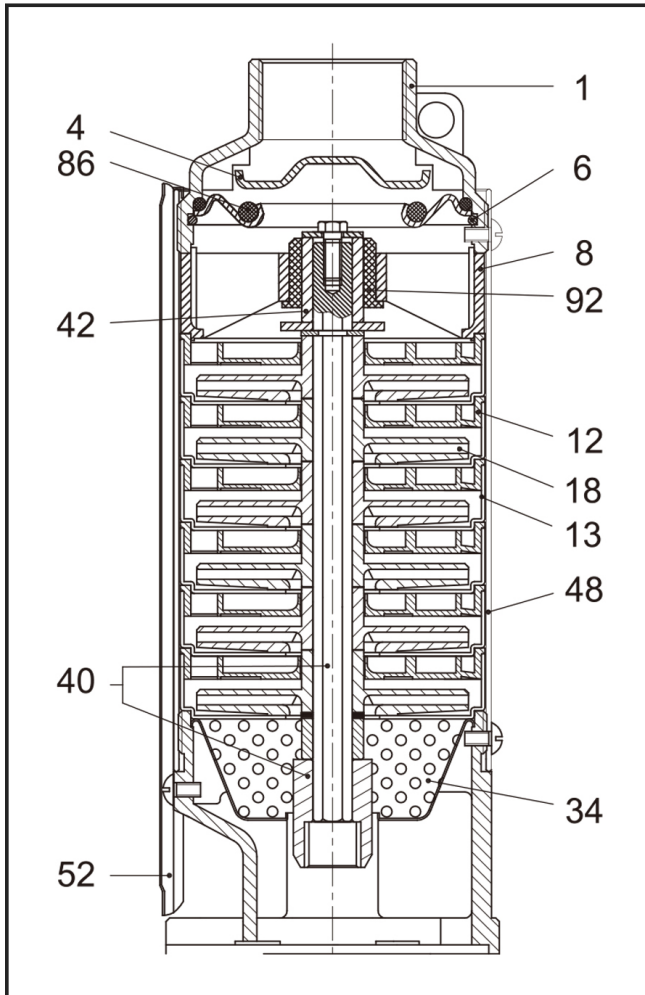
 Page:  
3

Receiver

From

 Company name  
 Respons. Department  
 Person in charge  
 Phone number  
 Fax no  
 E-mail address

Motor Model	P2		S.F	Voltage	Phase	In	Imax	Istart	PF (%)		Efficiency (%)		RPM	Thrust
	kW	HP		V	PH	A	A	A	Allowable Load	Overload Factor	Allowable Load	Overload Factor		N
	4CS3326	0.75		1	1.4	460	Three	3	3.2	19.1	0.48	0.58		65.2



No.	Part Name	Materials
1	Discharge Head	AISI 304
4	Check Valve Cone	AISI 304
6	Check Valve Retaining Ring	AISI 304
8	Bearing Spider	Glass Filled Polycarbonate
12	Diffuser	Glass Filled Polycarbonate
13	Bowl	AISI 304
18	Impeller	Noryl
34	Strainer	AISI 304
40	Pump Shaft / Coupling	AISI 304
42	Shaft Sleeve	AISI 304 or Norly
48	Pump Casing	AISI 304
52	Cable Guard	AISI 304
86	O-Ring	NBR
92	Bearing	Polyacetal

Project

Project ID

Created by

Created on

Last update