



# Technical Data

## Submersible Pump - A6X 30 CR 10/5

Revision no.

Page:  
1

Receiver

From

Company name  
Respons. Department  
Person in charge  
Phone number  
Fax no  
E-mail address



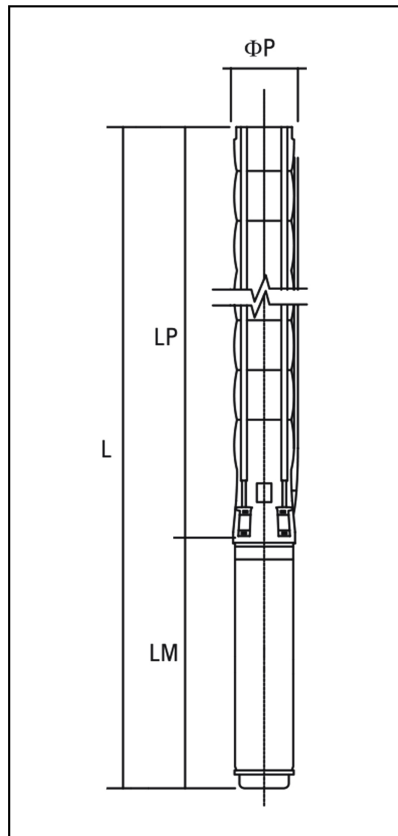


**Brand: Gol Pumps**  
**Model: A6X 30 CR 10/5**

Weight (lb)		
Pump	Motor	Pump + Motor
33	68.7	101.7

Cable	
Length (Ft)	AWG
11.5	4x14

**Dimensions:**



Outlet	Motor Dia.	Dimensions (inch)			
		LP	LM	L	φP
NPT 3"	4"	29.3	27.4	56.7	5

Project

Project ID

Created by

Created on

Last update



# Performance Curves

## Submersible Pump - A6X 30 CR 10/5

Revision no.

Page:  
2

Receiver

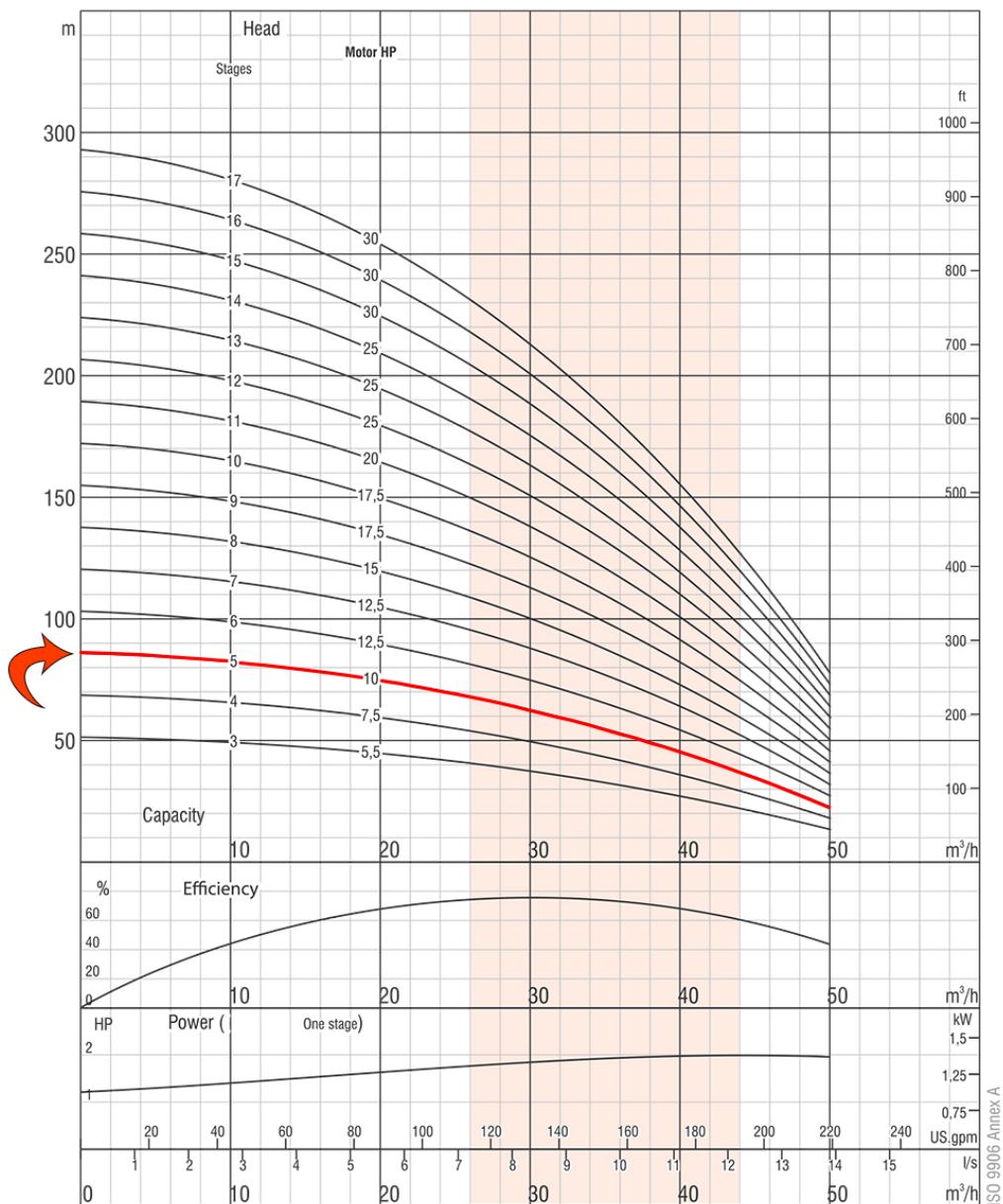
From

Company name  
Respons. Department  
Person in charge  
Phone number  
Fax no  
E-mail address

--	--

Pump Model	Stages	Motor		Q Capacity 3500RPM													
				Gal/H	0	3170	5283	6340	7397	8454	9510	10567	11888				
		kW	HP	Head in Feet	282	266	246	230	213	197	174	151	115				
<b>A6X 30 CR 10/5</b>	5	7.5	10														

The hydraulic working characteristics have been taken with water at 15 °C, at the atmospheric pressure of 1 bar and specific gravity is 1 gr/cm<sup>3</sup>



Due to continuous improvement in design we reserve the right to amend specifications or data without prior notice.

Project	Project ID	Created by	Created on	Last update
---------	------------	------------	------------	-------------



## Part List and Materials

### Submersible Pump - A6X 30 CR 10/5

Revision no.

Page:  
 3

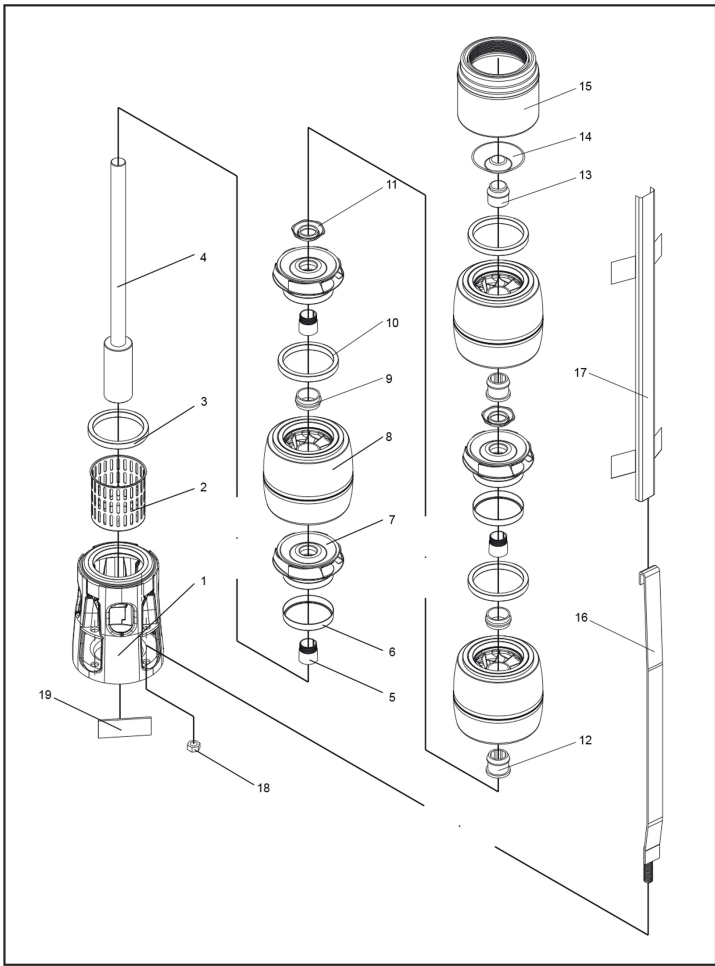
	Receiver	From
Company name		
Respons. Department		
Person in charge		
Phone number		
Fax no		
E-mail address		

Motor Model	P2		S.F	Voltage	Phase	In	In (SF)	Is/In	Cs/Cn	P1	Cos φ	η %	RPM
	kW	HP		V	PH	A	A			W			
<b>4GG</b>	7.5	10	1.15	460	Three	15.4	16.6	7.1	3.9	9300	0.78	80	3450

SF: Service factor  
 In: Rated current

Is/In: Locked rotor current/Rated current  
 Cs/Cn: Locked rotor torque/Rated torque

Cos φ: Power factor  
 η: Efficiency



No.	Part Name	Materials
1	Suction Case	Stainless Steel (AISI 304L)
2	Filter	Stainless Steel (AISI 304)
3	Suction Case Wear Ring	Bronze (ASTM B145-4A)
4	Pump Shaft with Coupling	Stainless Steel (AISI 420)
5	Collet	Stainless Steel
6	Impeller Wear Rings	Stainless Steel (AISI 304)
7	Impeller	Stainless Steel (AISI 304L)
8	Diffuser	Stainless Steel (AISI 304L)
9	Rubber Bearing	Rubber
10	Diffuser Wear Ring	Rubber
11	Nut for Stop Ring	Stainless Steel (AISI 304L)
12	Bearing	Rubber
13	Shaft Stopper	Bronze (ASTM B145-4A)
14	Valve	Stainless Steel (AISI 304)
15	Discharge Case	Stainless Steel (AISI 304)
16	Tie Rod	Stainless Steel (AISI 304L)
17	Cable Guard	Stainless Steel (AISI 304)
18	Tie Rod Nut	Stainless Steel (AISI 303)
19	Name Plate	Stainless Steel (AISI 304)

Project	Project ID	Created by	Created on	Last update
---------	------------	------------	------------	-------------