



Technical Data

Split Case Pump - 300GQS-90

Revision no.

Page:
 1

Receiver

From

Company name
 Respons. Department
 Person in charge
 Phone number
 Fax no
 E-mail address

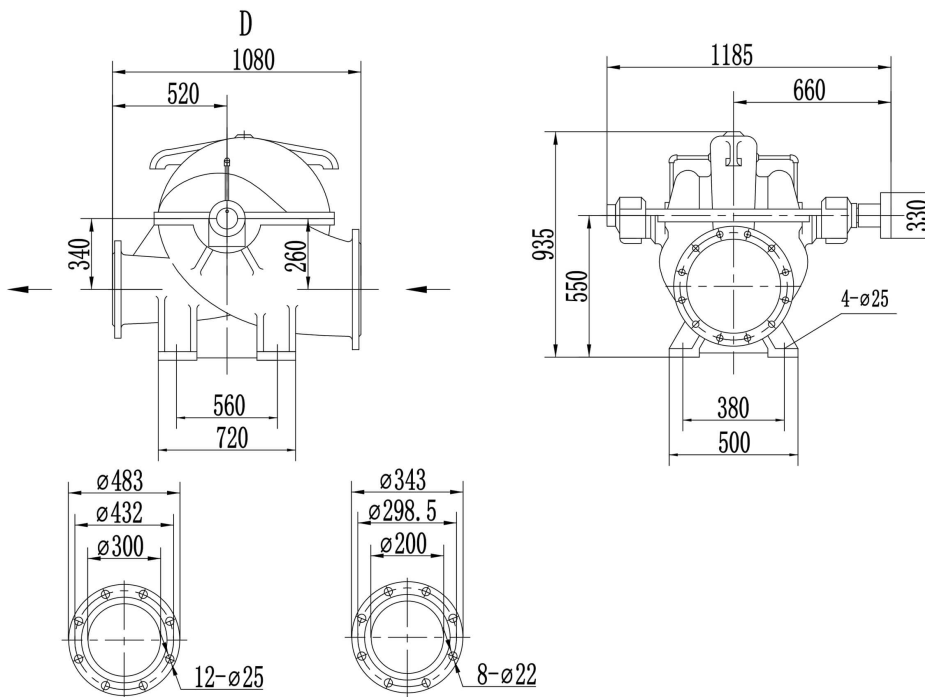


Brand: Gol Pumps
Model: 300GQS-90

Features:

- **Double Suction Pump:** Large Volume High Pressure Water Pump.
- **Bearing:** First Level SKF.
- **Shaft Seal:** Bergman SiC SS316 NBR machine seal, easy to use and long use life.
- **Motor Selection:** Can be match with different brand motors.
- **Quality Traceability:** With Materials MTC and related GQC&QA record.

Dimensions (mm):



Inlet (ANSI 125 flange)		Outlet (ANSI 125 flange)		Impeller Diameter
mm	In.	mm	In.	In.
300	12	200	8	20.9

Project	Project ID	Created by	Created on	Last update
---------	------------	------------	------------	-------------



Performance Curves

Split Case Pump - 300QS-90

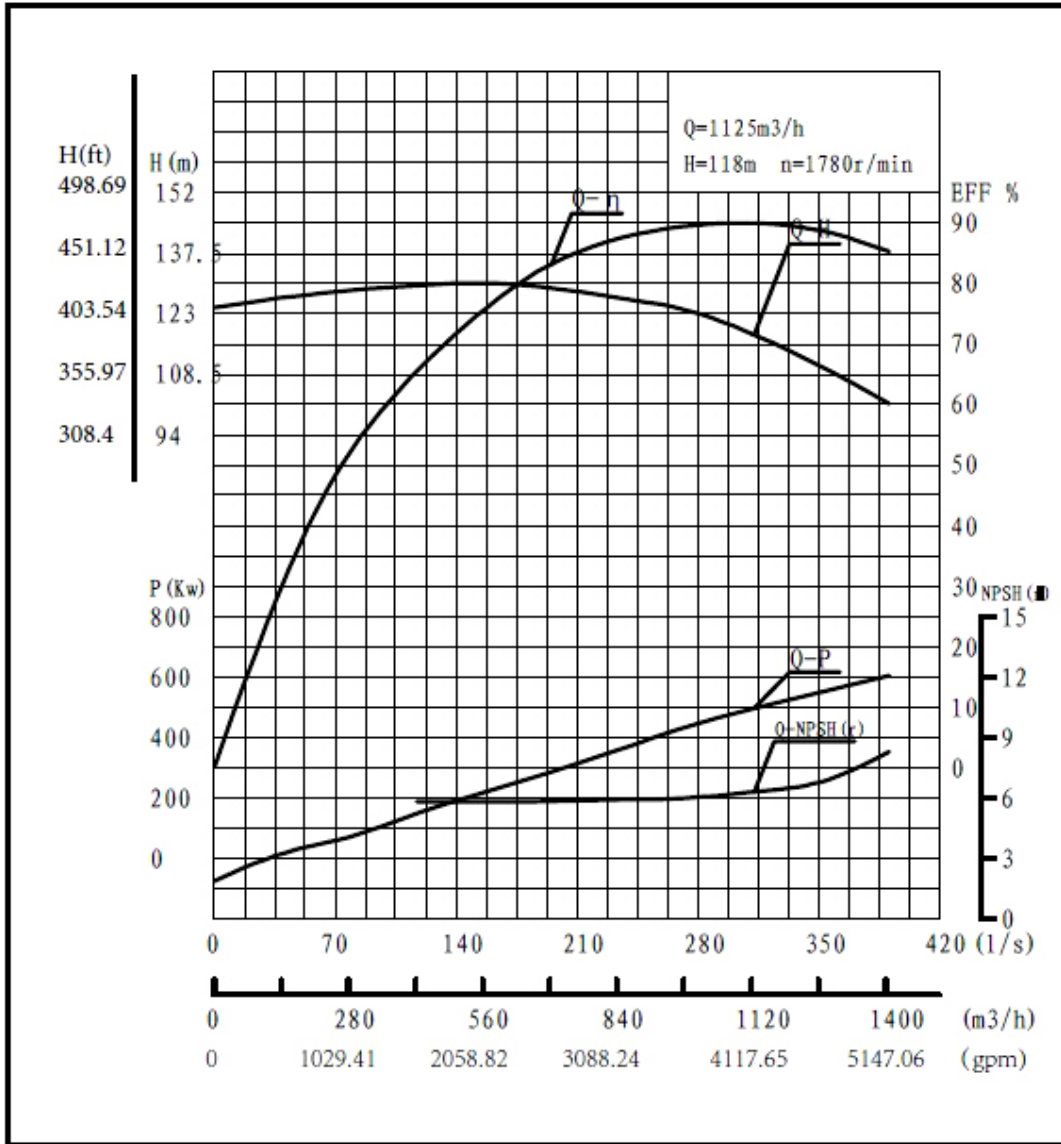
Revision no. _____

Page: 2

Receiver	From

Company name _____
 Respons. Department _____
 Person in charge _____
 Phone number _____
 Fax no _____
 E-mail address _____

Pump Model	Capacity		Head		NPSH		Shaft power		Efficiency of duty point	Rotary speed
	m ³ /h	GPM	m	Ft.	m	Ft.	kW	HP	%	RPM
300QS-90	700-1125	3082-4953	134-118	440-387	6.5	21.3	500	670	80	1780



Project	Project ID	Created by	Created on	Last update
---------	------------	------------	------------	-------------



Parts and Materials
Split Case Pump - 300QS-90

Revision no.

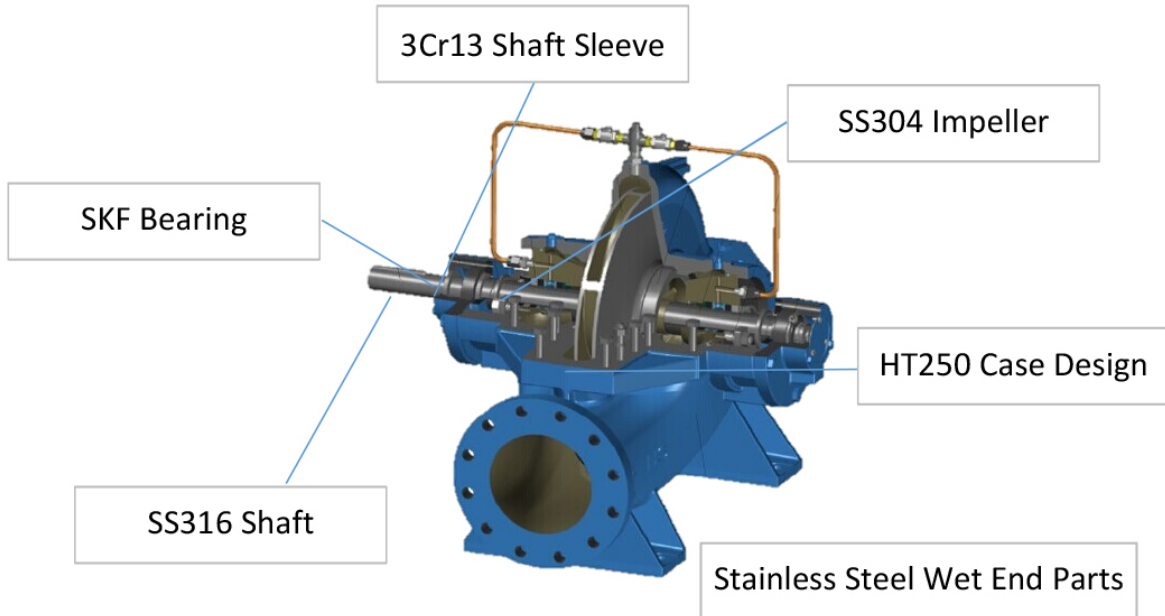
Page:
 3

Receiver

From

Company name
 Respons. Department
 Person in charge
 Phone number
 Fax no
 E-mail address

- **Impeller:** SS304.
- **Shaft:** SS316.
- **Sleeves:** 3Cr13.
- **Pump Casing:** HT250.
- **Other Wet End Parts:** Stainless Steel.
- **Bearing:** SKF.
- **Bolts, Screws, Studs, Nuts, Washers... etc:** EN X20Cr13 (AISI 420).



Project	Project ID	Created by	Created on	Last update
---------	------------	------------	------------	-------------