



Technical Data

Submersible Pump - GST 80-14

Revision no.

Page:
1

Receiver

From

Company name
Respons. Department
Person in charge
Phone number
Fax no
E-mail address

| |
|--|
| |
| |
| |
| |
| |

| |
|--|
| |
| |
| |
| |
| |

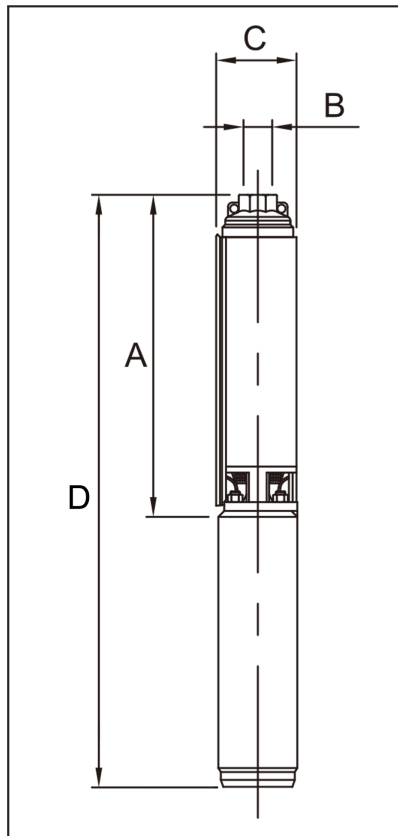


Brand: Gol Pumps
Model: GST 80-14

| Weight (lb) | | |
|-------------|-------|--------------|
| Pump | Motor | Pump + Motor |
| 21.8 | 64 | 85.8 |

| Cable | |
|-------------|-----|
| Length (Ft) | AWG |
| 8.2 | 14 |

Dimensions:



| Outlet | Motor Dia. | Dimensions (inch) | | | |
|--------|------------|-------------------|----|------|-------|
| | | A | B | C | D |
| NPT 2" | 4" | 42.6" | 2" | 3.9" | 70.3" |

Project

Project ID

Created by

Created on

Last update



Performance Curves

Submersible Pump - GST 80-14

Revision no.

Page:
2

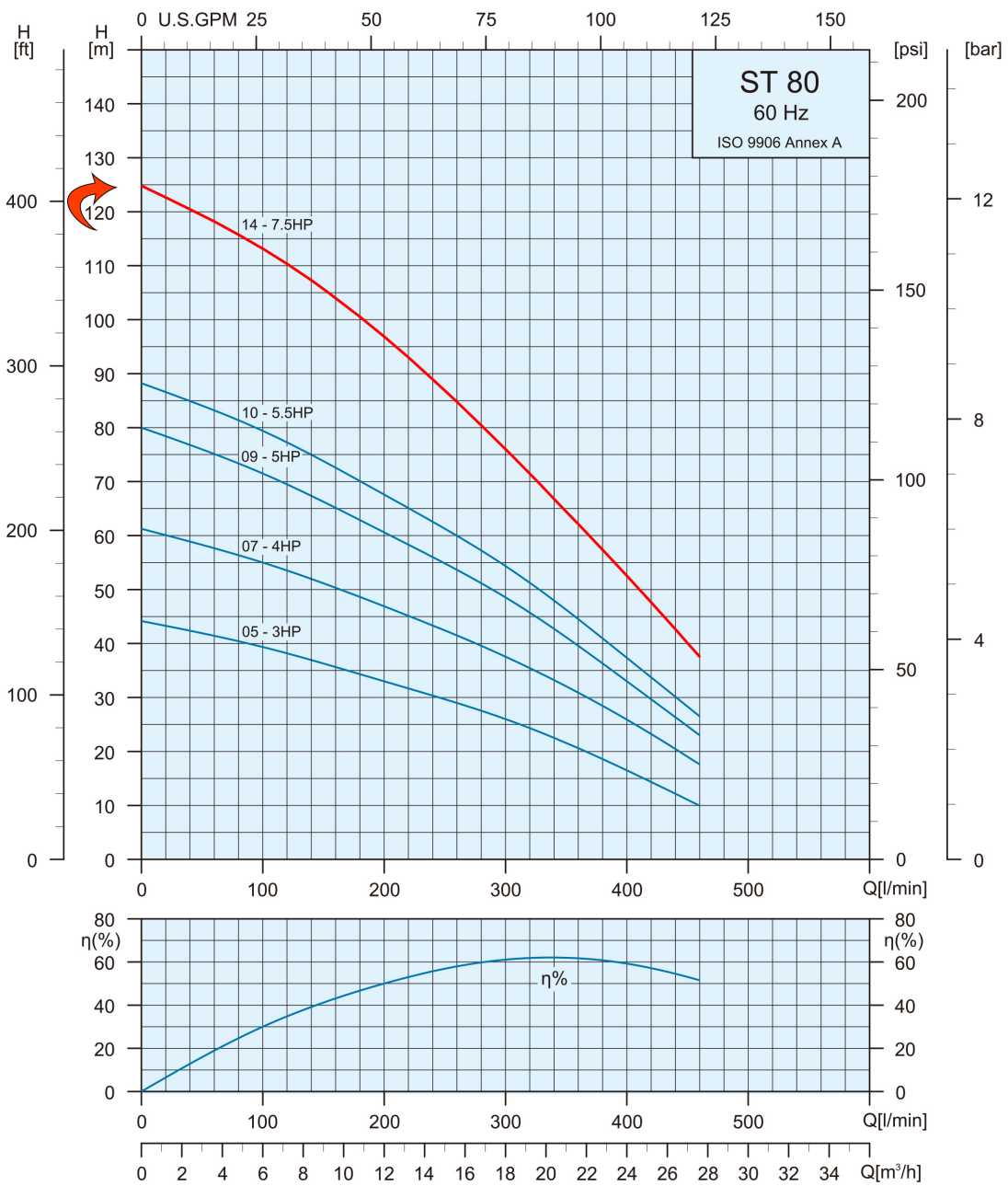
Receiver

From

Company name
Respons. Department
Person in charge
Phone number
Fax no
E-mail address

| | |
|--|--|
| | |
| | |
| | |
| | |
| | |
| | |

| Pump Model | Motor | | Q Capacity 3500RPM | | | | | | | | | | | | | |
|------------|-------|-----|--------------------|-----|------|------|------|------|------|------|-----|------|------|-----|-----|-----|
| | | | Gal/Min | 0 | 42.3 | 47.6 | 52.8 | 58.1 | 63.4 | 68.7 | 74 | 79.3 | 89.8 | 100 | 111 | 122 |
| GST 80-14 | 5.5 | 7.5 | Head in Feet | 413 | 341 | 331 | 318 | 305 | 292 | 279 | 263 | 249 | 220 | 203 | 158 | 125 |
| | | | Head in Feet | 413 | 341 | 331 | 318 | 305 | 292 | 279 | 263 | 249 | 220 | 203 | 158 | 125 |



| | | | | |
|---------|------------|------------|------------|-------------|
| Project | Project ID | Created by | Created on | Last update |
|---------|------------|------------|------------|-------------|



Part List and Materials Submersible Pump - GST 80-14

Revision no.

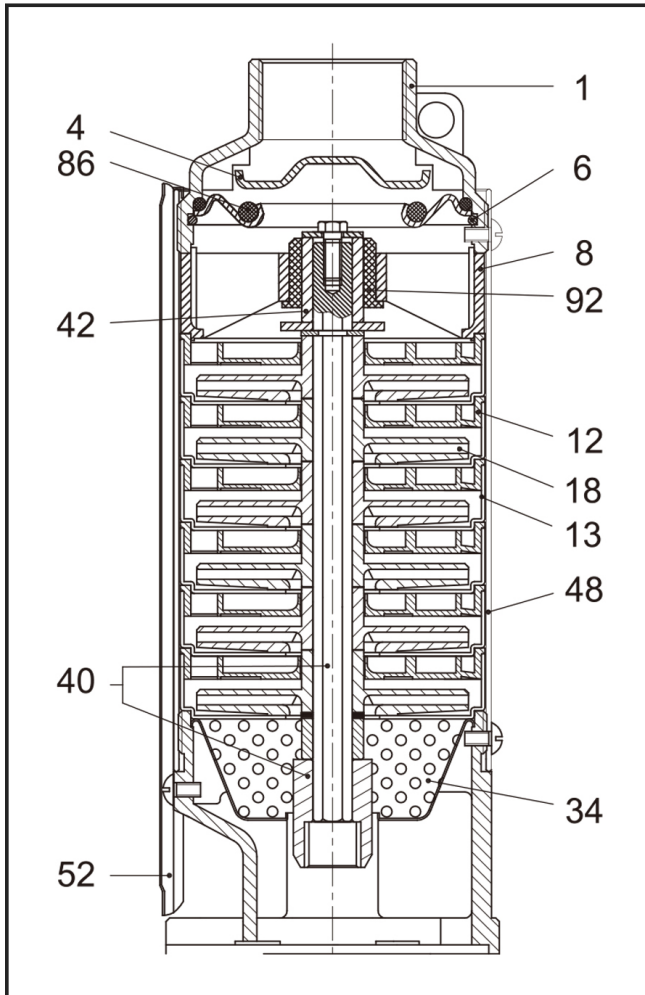
 Page:
3

Receiver

From

 Company name
 Respons. Department
 Person in charge
 Phone number
 Fax no
 E-mail address

| Motor Model | P2 | | S.F | Voltage | Phase | In | I _{max} | I _{start} | PF (%) | | Efficiency (%) | | RPM | Thrust |
|-------------|----------------|-----|-----|---------|-------|-----|------------------|--------------------|----------------|-----------------|----------------|-----------------|-----|--------|
| | kW | HP | | V | PH | A | A | A | Allowable Load | Overload Factor | Allowable Load | Overload Factor | | N |
| | 4CS6396 | 5.5 | | 7.5 | 1.15 | 460 | Three | 10.9 | 12.1 | 78.3 | 0.79 | 0.83 | | 79.1 |



| No. | Part Name | Materials |
|-----|----------------------------|----------------------------|
| 1 | Discharge Head | AISI 304 |
| 4 | Check Valve Cone | AISI 304 |
| 6 | Check Valve Retaining Ring | AISI 304 |
| 8 | Bearing Spider | Glass Filled Polycarbonate |
| 12 | Diffuser | Glass Filled Polycarbonate |
| 13 | Bowl | AISI 304 |
| 18 | Impeller | Noryl |
| 34 | Strainer | AISI 304 |
| 40 | Pump Shaft / Coupling | AISI 304 |
| 42 | Shaft Sleeve | AISI 304 or Norly |
| 48 | Pump Casing | AISI 304 |
| 52 | Cable Guard | AISI 304 |
| 86 | O-Ring | NBR |
| 92 | Bearing | Polyacetal |

Project

Project ID

Created by

Created on

Last update