



# Technical Data

## Submersible Pump - GST 07-10

Revision no.

Page:

1

Receiver

From

 Company name  
 Respons. Department  
 Person in charge  
 Phone number  
 Fax no  
 E-mail address



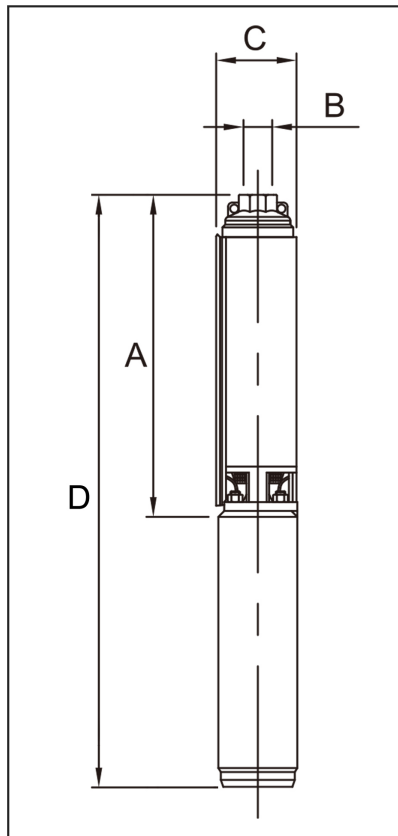


**Brand: Gol Pumps**  
**Model: GST 07-10**

Weight (lb)		
Pump	Motor	Pump + Motor
7.3	20.5	27.8

Cable	
Length (Ft)	AWG
3.9	14

### Dimensions:



Outlet	Motor Dia.	Dimensions (inch)			
		A	B	C	D
NPT 1 1/4"	4"	13"	1 1/4"	3.9"	25.1"

Project

Project ID

Created by

Created on

Last update



# Performance Curves

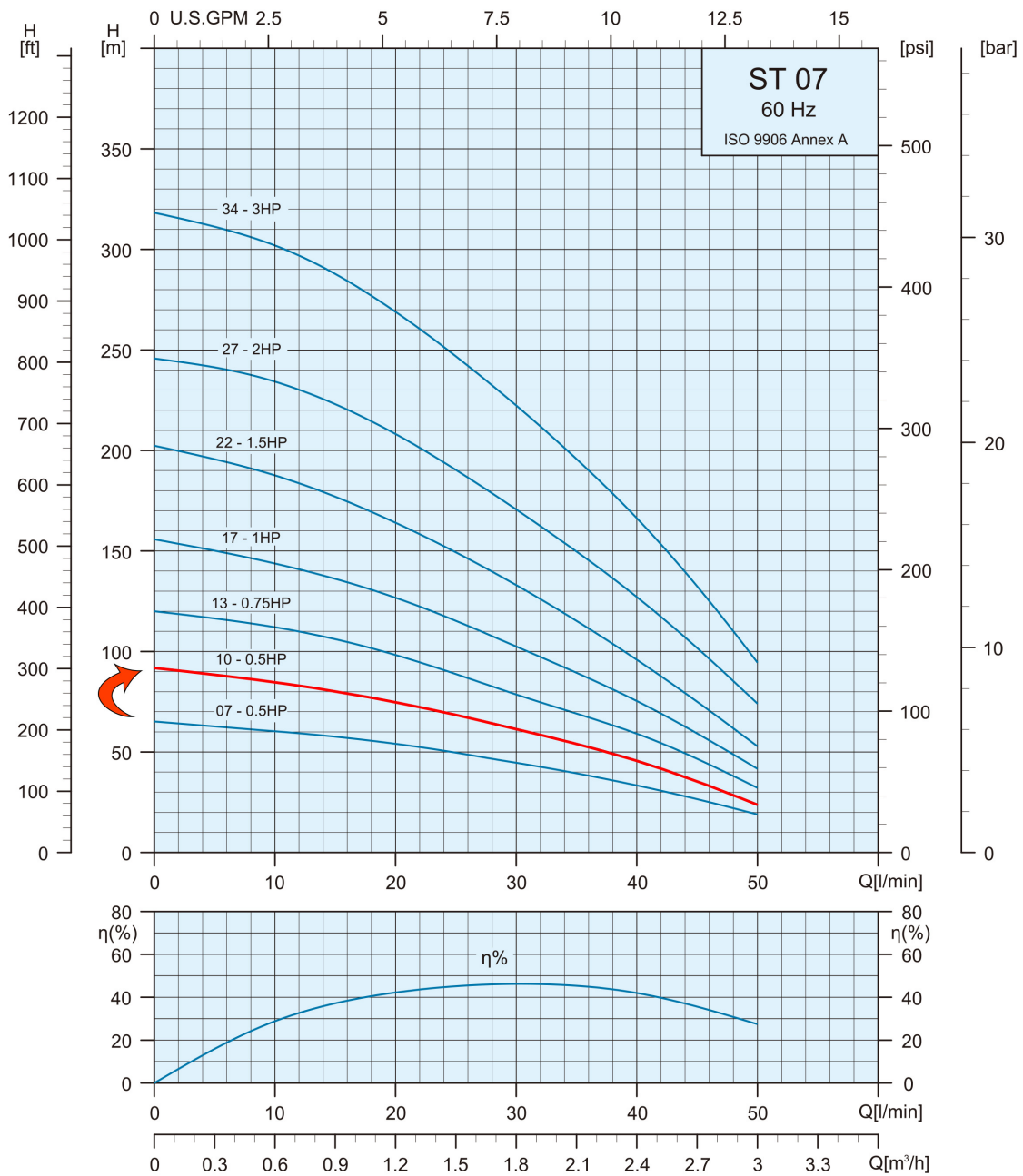
## Submersible Pump - GST 07-10

Revision no. \_\_\_\_\_  
Page: 2

Receiver	From

Company name  
Respons. Department  
Person in charge  
Phone number  
Fax no  
E-mail address

Pump Model	Motor		Q Capacity 3500RPM								
			Gal/Min	0	4	5.3	6.6	7.9	9.2	10.6	13.2
GST 07-10	0.37	0.5	Head in Feet	301.8	262.5	246.1	223.1	203.4	177.2	154.2	78.7



Project	Project ID	Created by	Created on	Last update
---------	------------	------------	------------	-------------



## Part List and Materials Submersible Pump - GST 07-10

Revision no.

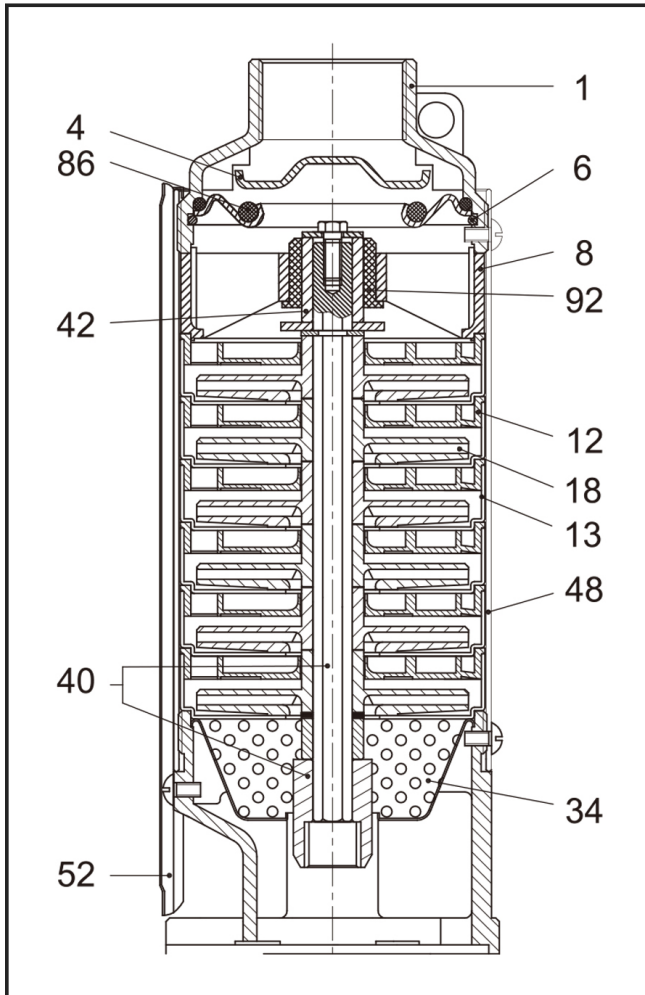
 Page:  
3

Receiver

From

 Company name  
 Respons. Department  
 Person in charge  
 Phone number  
 Fax no  
 E-mail address

Motor Model	P2		S.F	Voltage	Phase	Wire	In	Imax	Istart	PF (%)		Efficiency (%)		RPM	Thrust	Capacitor
	kW	HP		V	PH		A	A	A	Allowable Load	Overload Factor	Allowable Load	Overload Factor		N	UF
	4CS2506M	0.37		0.5	1.6		230	Single	2	3.3	4.5	15.8	0.93		0.96	52.8



No.	Part Name	Materials
1	Discharge Head	AISI 304
4	Check Valve Cone	AISI 304
6	Check Valve Retaining Ring	AISI 304
8	Bearing Spider	Glass Filled Polycarbonate
12	Diffuser	Glass Filled Polycarbonate
13	Bowl	AISI 304
18	Impeller	Noryl
34	Strainer	AISI 304
40	Pump Shaft / Coupling	AISI 304
42	Shaft Sleeve	AISI 304 or Norly
48	Pump Casing	AISI 304
52	Cable Guard	AISI 304
86	O-Ring	NBR
92	Bearing	Polyacetal

Project

Project ID

Created by

Created on

Last update