



# Technical Data

## Multi Stage Pump - GARS-KC 50/10

Revision no.

Page:  
1

Receiver

From

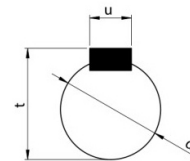
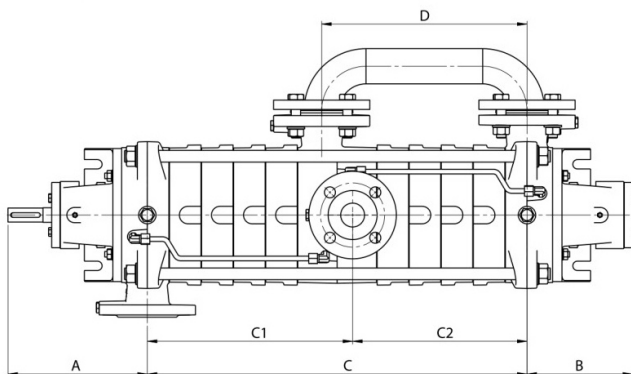
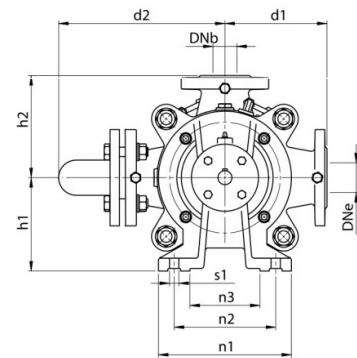
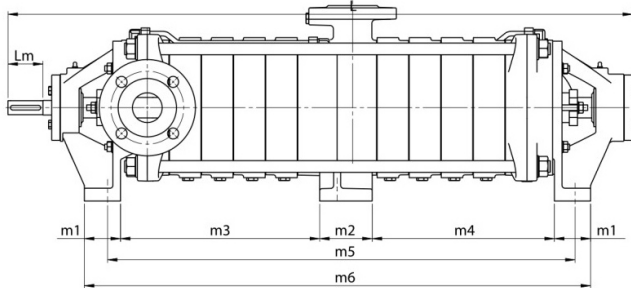
Company name  
Respons. Department  
Person in charge  
Phone number  
Fax no  
E-mail address

--	--



**Brand: Gol Pumps**  
**Model: GARS-KC 50/10**

**Dimensions:**



Inlet and Outlet Flange	
DNe	DNb
2.5	2

Shaft Dimensions (inch)			
d	Lm	t	u
1.1	2.6	1.2	0.3

Pump Installation Size (inch)														
A	B	D	d1	d2	L	C1	C2	C	h1	h2	H	m1	m2	m3
10	7.5	15.6	7.5	12.9	46.3	13.3	13.2	28.9	6.3	7.5	13.8	2.4	3.9	15.3

Pump Installation Size (inch)						
m4	m5	m6	n1	n2	n3	s1
13.7	36	37.7	10	7.8	5.5	0.6

Project	Project ID	Created by	Created on	Last update
---------	------------	------------	------------	-------------



# Performance Curves

## Multi Stage Pump - GARS-KC 50/10

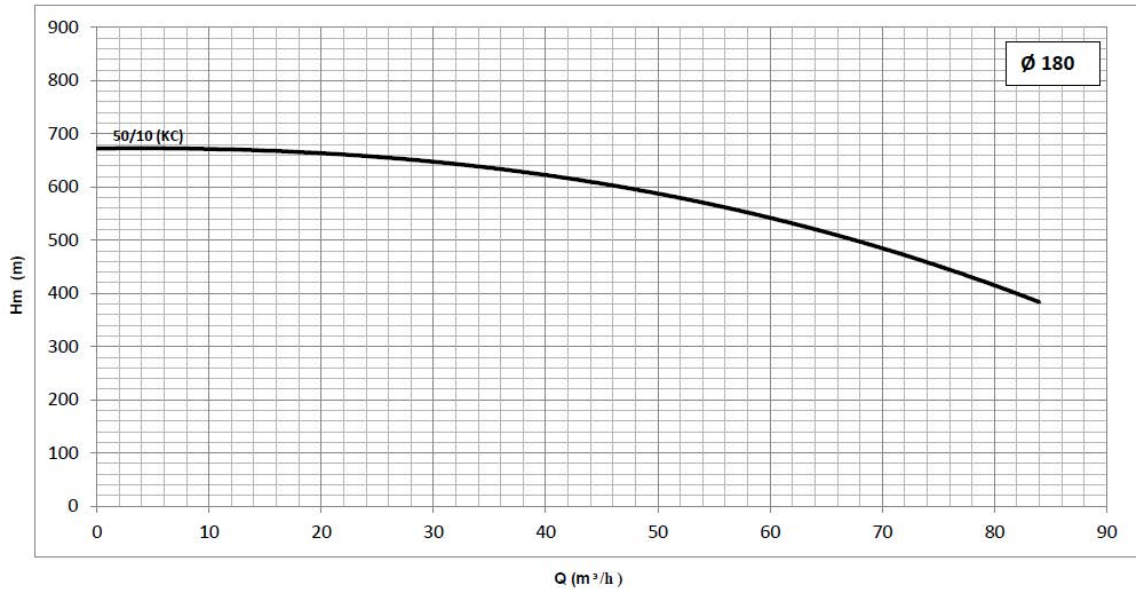
Revision no. \_\_\_\_\_  
 \_\_\_\_\_

Page:  
2

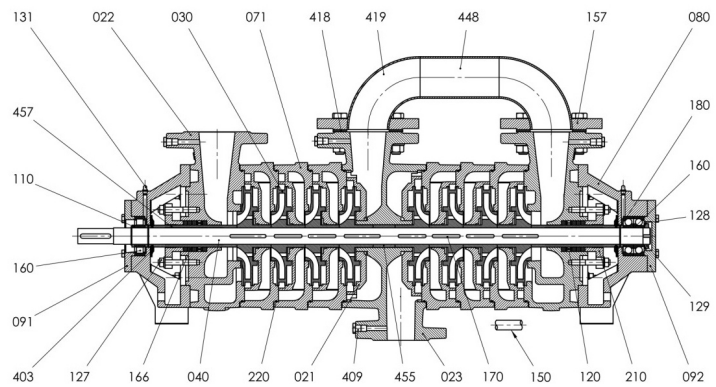
	Receiver	From
Company name		
Respons. Department		
Person in charge		
Phone number		
Fax no		
E-mail address		

Pump (GGG40)		Motor	(PN 40)		EFF(0.70%)	Q 180	Power			
Type	Quantity Impeller	hp	DNe	DNb	Safe Motor Power (hp)	rpm	Head (ft)		Gal/m	
GARS-KC 50/10	10	115.6	2.5	2	200	3600	Max.	2181.8	Min.	44
		170	2.5	2		3600	Rate	1771.7	Rate	264.2
		197.1	2.5	2		3600	Min.	1246.7	Max.	369.8

## ARS-KC 50-10 (3600RPM)



**Parts List:**



Discharge Diffuser	021	Casing Tiebolt	150
Suction Body	022	Flange	157
Discharge Body	023	Bearing	160
Impeller	030	Soft Packing	166
Shaft	040	Pin	170
Stage Body	071	Ring	180
Bearing Housing	080	Connection Support	210
Bearing Cover (Coupling)	091	O-Ring	220
Bearing Cover (Outside)	092	Throw Protection	403
Bearing Setting Sleeve	110	Bolt	409
Flushing Ring	120	Flange Gasket	418
Nut	127	Elbow	419
Protection Sheet	128	Connection Pipe	448
Nut	129	Discharge Centering Sleeve	455
Grease Nipple	131	Seal Sleeve (Suction)	457

Project	Project ID	Created by	Created on	Last update