



Technical Data

Multi Stage Pump - GARS-80/03

Revision no.

Page:
1

Receiver

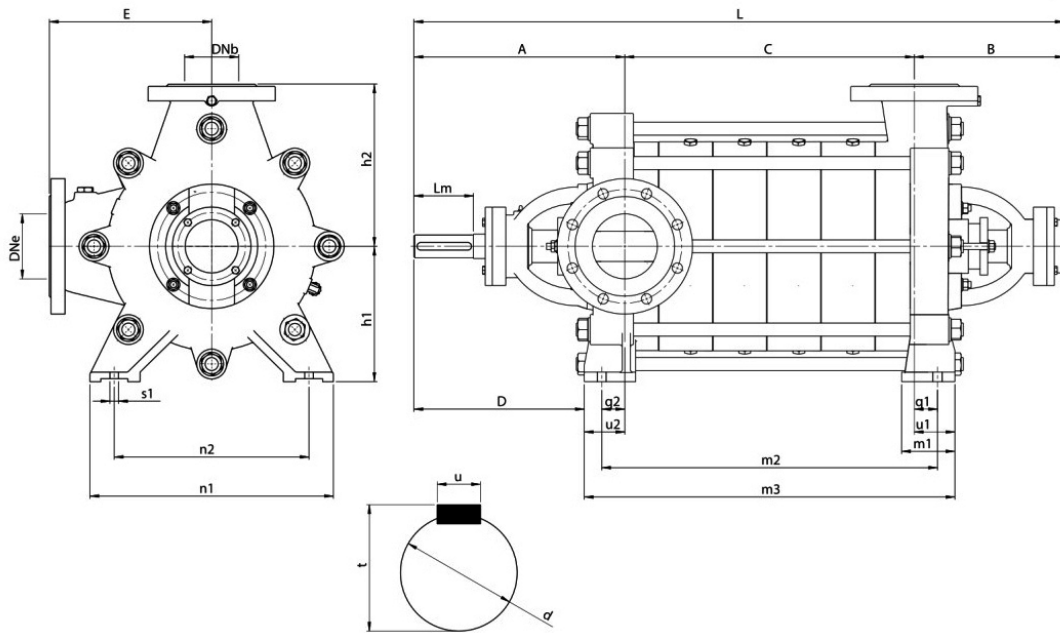
From

Company name
Respons. Department
Person in charge
Phone number
Fax no
E-mail address



Brand: Gol Pumps
Model: GARS-80/03

Dimensions:



Inlet and Outlet Flange	
DNe	DNb
4	3

Shaft Dimensions (inch)			
d	Lm	t	u
1.5	3.1	1.6	0.4

Pump Installation Size (inch)																
A	B	D	E	L	h1	h2	q1	q2	u1	u2	m1	m2	m3	n1	n2	s1
12.7	9.6	10.2	10.4	C+22.4	8.3	10.4	1.6	1.6	2.4	2.4	3.5	C+2.9	C+4.8	16.3	13.4	0.6

"C" Dimensions by Stage (inch)																
2	3	4	5	6	7	8	9	10	11	12	13	14	15	16	17	
7.8	11.1	14.3	17.6	20.9	24.1	27.4	-	-	-	-	-	-	-	-	-	

Project	Project ID	Created by	Created on	Last update
---------	------------	------------	------------	-------------



Performance Curves

Multi Stage Pump - GARS-80/03

Revision no.

Page:

2

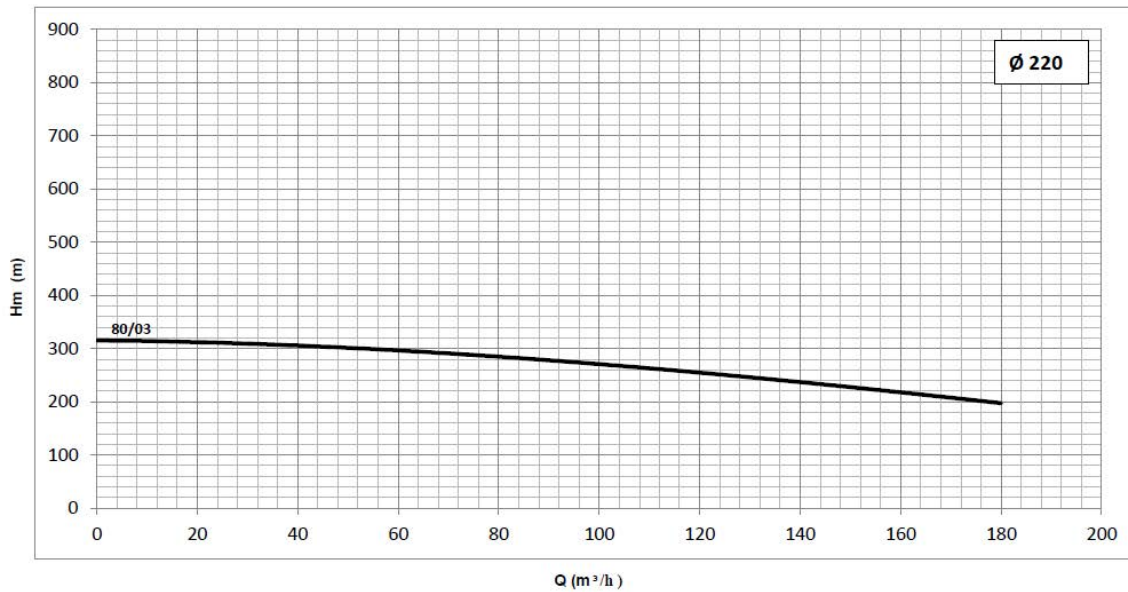
Receiver

From

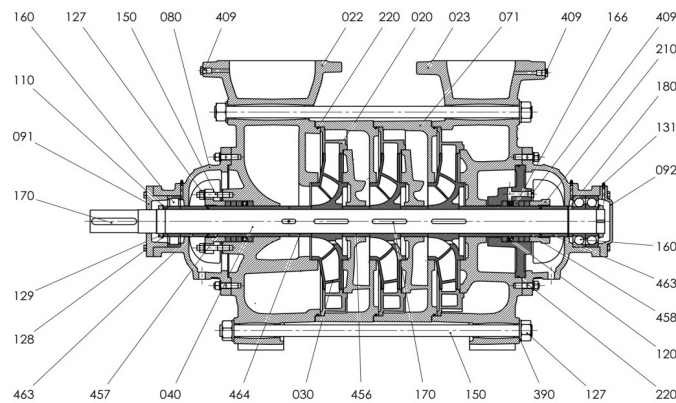
 Company name
 Respons. Department
 Person in charge
 Phone number
 Fax no
 E-mail address

Pump (GGG40)		Motor	(PN 40)		EFF(0.70%)	Q 220	Power			
Type	Quantity Impeller	hp	DNe	DNb	Safe Motor Power (hp)	rpm	Head (ft)		Gal/m	
GARS-80/03	3	138.7	4	3	175	3600	Max.	984.3	Min.	176.1
		171.3	4	3		3600	Rate	787.4	Rate	616.4
		187.6	4	3		3600	Min.	656.2	Max.	792.5

ARS 80-03 (3600RPM)



Parts List:



Diffuser	020	Casing Tiebolt	150
Suction Body	022	Bearing	160
Discharge Body	023	Soft Packing	166
Impeller	030	Pin	170
Shaft	040	Ring	180
Stage Body	071	Connection Support	210
Bearing Housing	080	O-Ring	220
Bearing Cover (Coupling)	091	Washer	390
Bearing Cover (Outside)	092	Bolt	409
Bearing Setting Sleeve	110	Impeller Stage Sleeve	456
Flushing Ring	120	Seal Sleeve (Suction)	457
Nut	127	Seal Sleeve (Discharge)	458
Protection Sheet	128	Setting Sleeve (Suction & Discharge)	463
Nut	129	Impeller Setting Sleeve	464
Grease Nipple	131		

Project

Project ID

Created by

Created on

Last update