



# Technical Data

## Submersible Well Pump - SP 80002 - SS316

Revision no.

Page:  
 1

Receiver

From

Company name  
 Respons. Department  
 Person in charge  
 Phone number  
 Fax no  
 E-mail address

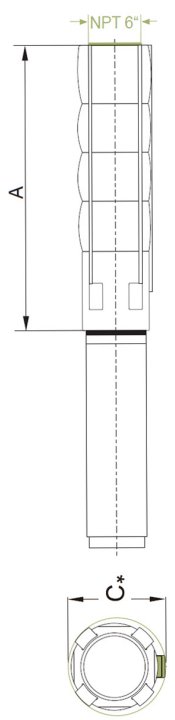




**Brand: Gol Pumps**  
**Model: SP 80002**



**Dimensions:**



Pump Type	Motor Dia.	Dimensions (inch)			Net Weight (lb)
		A	C*	Pump Discharge	Pump
SP 800-02	6"	32	7	6" NPT	81

Project	Project ID	Created by	Created on	Last update
---------	------------	------------	------------	-------------



# Performance Curves

## Submersible Well Pump - SP 80002 - SS316

Revision no. \_\_\_\_\_

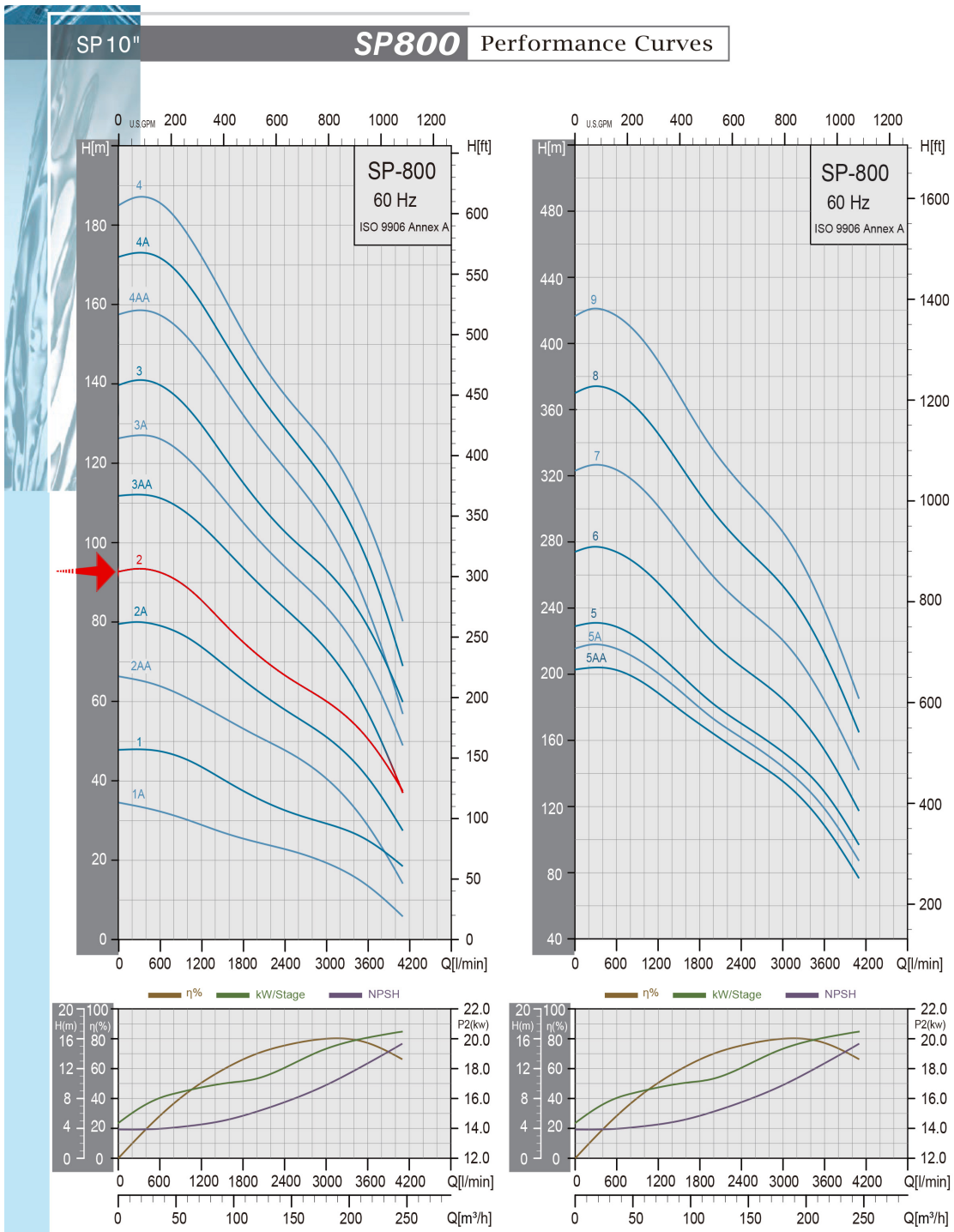
Page: 2

Company name  
 Respons. Department  
 Person in charge  
 Phone number  
 Fax no  
 E-mail address

Receiver

From

Motor	P2		S.F	Voltage	In	Phase	Imax	Istart	PF%		Efficiency%		Nn	Thrust	Cable		N.W	G.W
	HP	KW		V	A	~	A	A	allowable Load	overload Factor	allowable Load	overload Factor	RPM	N	M	AWG	kg	kg
6CF8386D	50	37	1.15	460	67.8	Three Phase	77.2	409	0.81	0.82	81.9	82.7	3450	27500N	4	8	116.87	127.2



Project	Project ID	Created by	Created on	Last update
---------	------------	------------	------------	-------------



# Parts and Materials

## Submersible Well Pump - SP 80002 - SS316

Revision no.

Page:  
 3

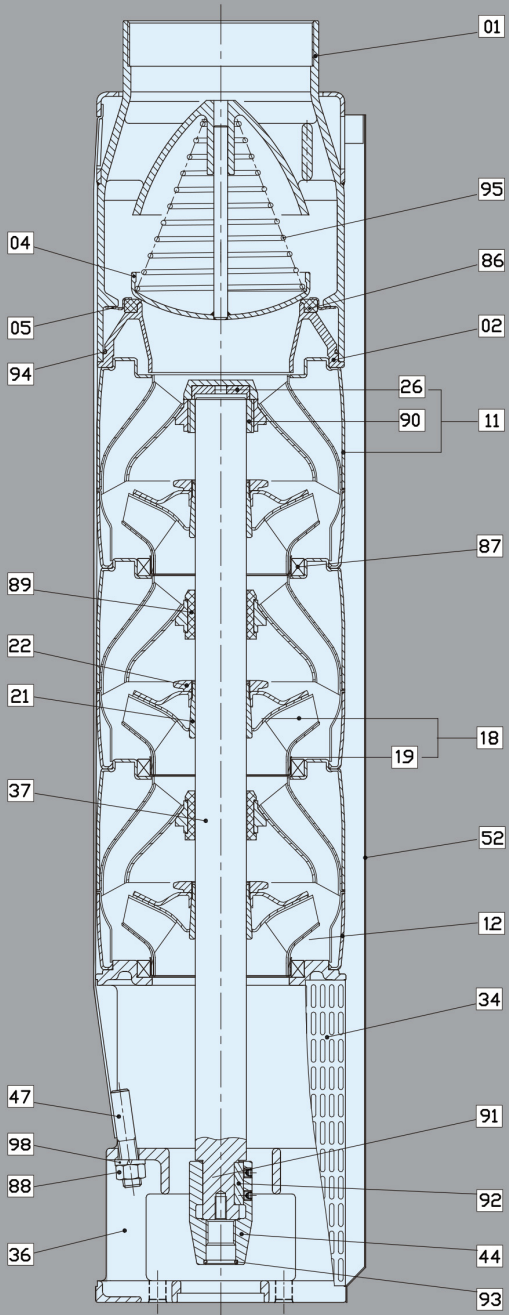
Receiver

From

Company name  
 Respons. Department  
 Person in charge  
 Phone number  
 Fax no  
 E-mail address



### Example: SP-1100



## Material Specification-10" Pumps

Pos.	Components	Standard
01	Discharge	SUS316
02	Lower Valve Seat Retainer	SUS316
04	Valve Cup	SUS316
05	Upper Valve Seat Retainer	SUS316
11	Upper Diffuser	SUS316
+26	Spacing Washer For Stop Ring	Carbon Fiber+MoS2+PTFE
+90	Upper Bearing	SUS316+NBR
12	Diffuser	SUS316
18	Impeller	SUS316
18	Impeller - A	SUS316
+19	Ring Of Impeller	SUS316
21	Split Cone	SUS316
22	Split Cone Nut	SUS316
34	Strainer - one lead	SUS316
34	Strainer - two leads	SUS316
36	Suction Interconnector - 6"	SUS316
36	Suction Interconnector - 8"	SUS316
37	Shaft	SUS316
44	Coupling - 6"	SUS316
44	Coupling - 8"	SUS316
47	Strap	SUS316
52	Cable Guard	SUS316
86	Valve Seat	NBR70
87	Neck Ring	PPS+NBR
88	Nut	SUS316
89	Bearing	NBR70
91	Screw - 6"	SUS316
91	Screw - 8"	SUS316
92	Key - 6"	SUS316
92	Key - 8"	SUS316
93	O-ring - 6"	NBR70
93	O-ring - 8"	NBR70
94	O-ring	NBR70
95	Spring	SUS316
98	Spring Washer	

\*AISI 316 stainless steel pumps are available on request.

Project	Project ID	Created by	Created on	Last update
---------	------------	------------	------------	-------------



# Parts and Materials

## Submersible Well Pump - SP 8002 - SS316

Revision no.

Page:  
 3

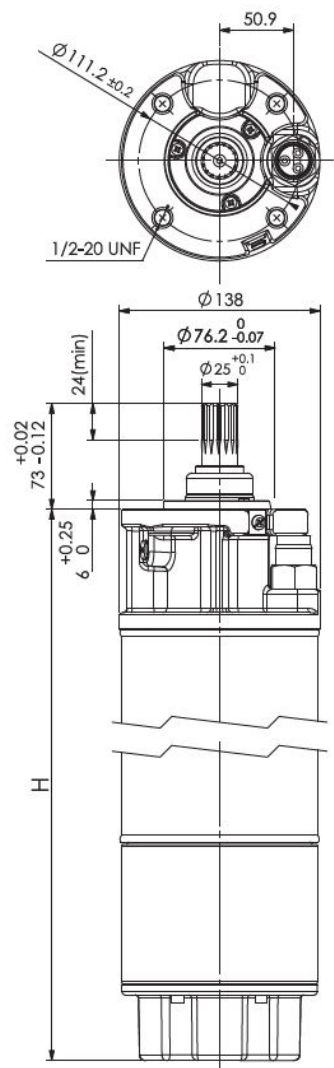
Receiver

From

Company name  
 Respons. Department  
 Person in charge  
 Phone number  
 Fax no  
 E-mail address



Motor	P2		S.F	Voltage	In	Phase	Imax	Istart	PF%		Efficiency%		Nn	Thrust	Cable		N.W	G.W
	HP	KW		V	A	~	A	A	allowable Load	overload Factor	allowable Load	overload Factor	RPM	N	M	AWG	kg	kg
6CN8386D	50	37	1.15	460	67.8	Three Phase	77.2	409	0.81	0.82	81.9	82.7	3450	27500N	4	8	116.87	127.2



HP	KW	H(INCH)
50	37	55

Project	Project ID	Created by	Created on	Last update
---------	------------	------------	------------	-------------



# Parts and Materials

## Submersible Well Pump - SP 80002 - SS316

Revision no.

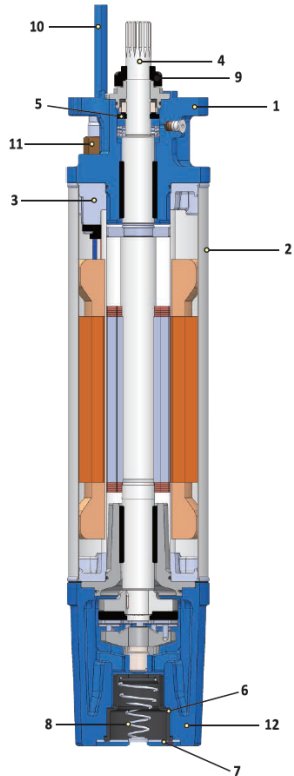
Page:  
 3

Receiver

From

Company name  
 Respons. Department  
 Person in charge  
 Phone number  
 Fax no  
 E-mail address





NO.	Component	GCN
1	Upper Bracket	AISI 316
2	Stator Shell	AISI 316
3	Stator Ends	AISI 316
4	Shaft	AISI 630
5	Mechanical Seal	SIC / SIC
6	Diaphragm	NBR
7	End Cover	AISI 316
8	Spring	AISI 316
9	Sand Slinger	NBR
10	Lead Wire (Cable)	XLPE
11	Cable Jam Nut	AISI 316
12	Lower Bracket	AISI 316 over Iron
	Lead Potting	Epoxy
	Mechanical Seal / Rubber Components	NBR
	Thrust Pad	AISI 420

Project	Project ID	Created by	Created on	Last update
---------	------------	------------	------------	-------------