



Technical Data

Vertical In-line Pump - EGM80-6532-18504

Revision no.

 Page:
1

Receiver

From

 Company name
 Respons. Department
 Person in charge
 Phone number
 Fax no
 E-mail address


Brand: Gol Pumps
Model: EGM80-6532-18504
Flange: ANSI Class 125

Motor (V1)

| Model | HP |
|-----------|----|
| Y2-180M-4 | 25 |

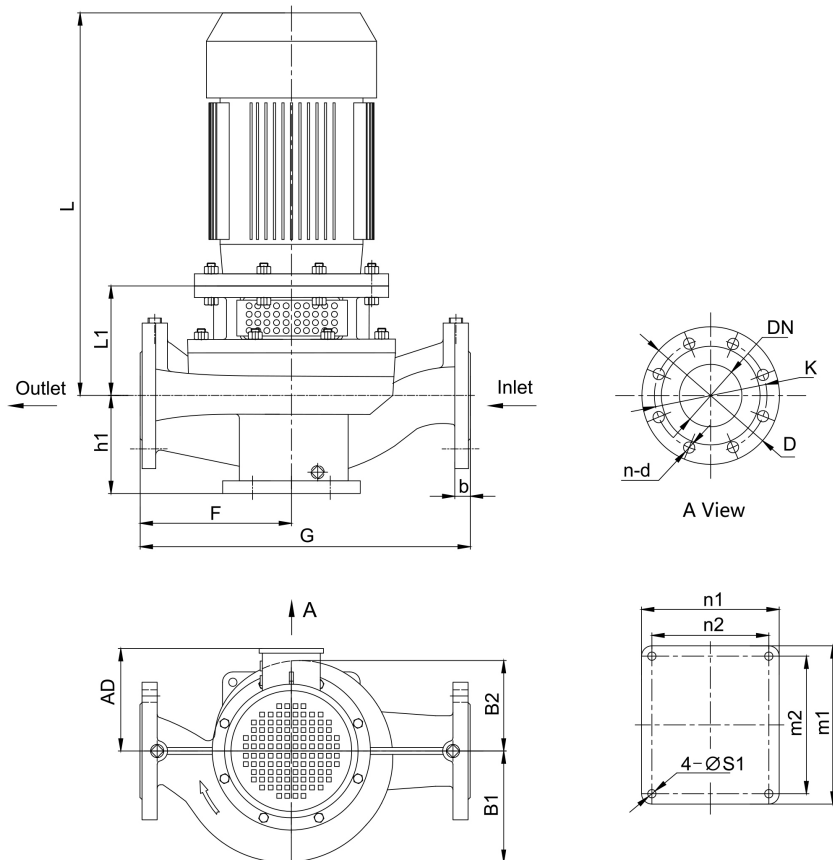
Weight (lb)

| Pump | Motor | Pump & Motor |
|-------|-------|--------------|
| 259.6 | 345.4 | 605 |

Inlet Outlet

| | |
|----|----|
| 3" | 3" |
|----|----|

Dimensions:



Pump Installation Size (inch)

| h1 | L1 | F | G | L | AD | B1 | B2 | n2 x m2 | n1 x m1 | S1 | DN | D | K | n - d | b |
|-----|-----|------|------|------|----|-----|-----|---------|----------|-----|----|-----|---|----------------|---|
| 6.9 | 9.3 | 12.2 | 25.2 | 32.5 | 11 | 8.8 | 8.3 | 7.9x9.8 | 9.8x11.8 | 0.7 | 3 | 7.5 | 6 | 4 - ϕ 0.8 | - |

Project

Project ID

Created by

Created on

Last update



Performance Curves

Vertical In-line Pump - EGM80-6532-18504

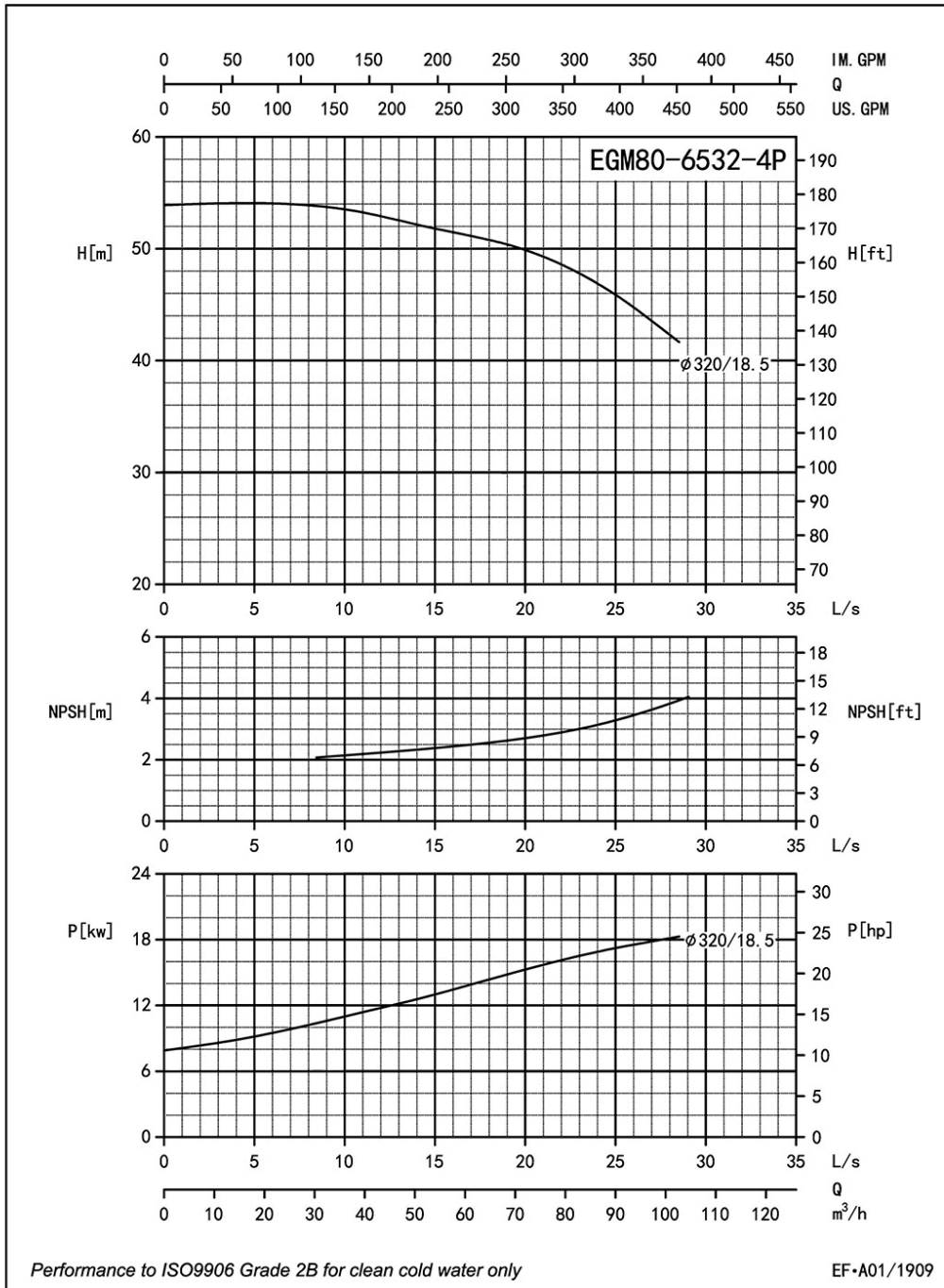
Revision no.

Page:
 2

| | |
|----------|------|
| Receiver | From |
| | |
| | |
| | |
| | |
| | |

Company name
 Respons. Department
 Person in charge
 Phone number
 Fax no
 E-mail address

| Model | Capacity | | | Head | | Speed | Motor | Voltage | Phase | Impeller Diam. | | Eff. | (NPSH)r |
|------------------|-------------------|------|-------|------|-----|-------|-------|---------|-------|----------------|------|------|---------|
| | m ³ /h | l/s | gpm | m | ft | r/min | hp | v | | mm | inch | % | ft |
| EGM80-6532-18504 | 50.8 | 14.1 | 223.5 | 52 | 171 | 1710 | 25 | 230/460 | 3 | 320 | 12.6 | 58 | 7.9 |
| | 84.6 | 23.5 | 372.5 | 47.3 | 155 | | 25 | | | | | 66 | 10.2 |
| | 101.5 | 28.2 | 447 | 41.8 | 137 | | 25 | | | | | 64 | 13.1 |



| | | | | |
|---------|------------|------------|------------|-------------|
| Project | Project ID | Created by | Created on | Last update |
| | | | | |



Parts List

Vertical In-line Pump - EGM80-6532-18504

Revision no.

Page:

3

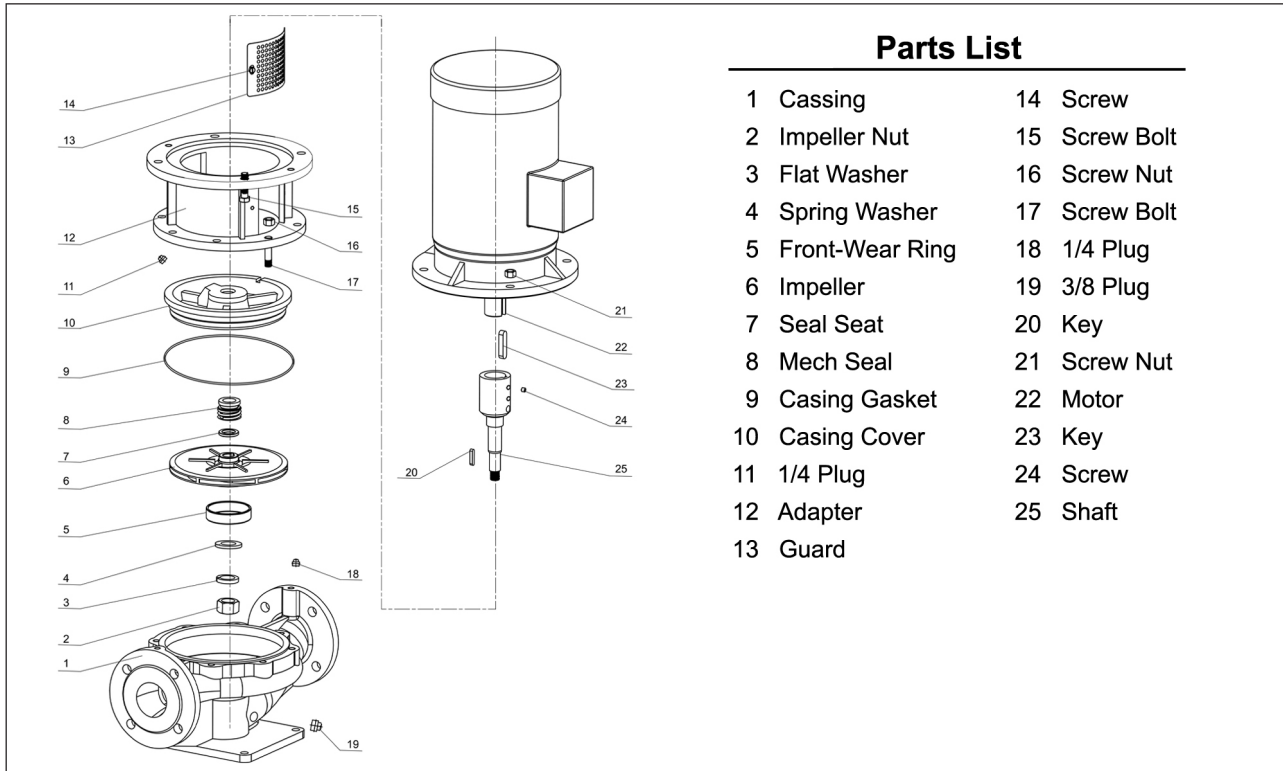
Receiver

From

 Company name
 Respons. Department
 Person in charge
 Phone number
 Fax no
 E-mail address

| |
|--|
| |
| |
| |
| |
| |

| |
|--|
| |
| |
| |
| |
| |



Project

Project ID

Created by

Created on

Last update