



Technical Data

Vertical In-line Pump - EGM80-6526-11004

Revision no.

 Page:
1

Receiver

From

 Company name
 Respons. Department
 Person in charge
 Phone number
 Fax no
 E-mail address


Brand: Gol Pumps
Model: EGM80-6526-11004
Flange: ANSI Class 125

Motor (V1)

Model	HP
Y2-160M-4	15

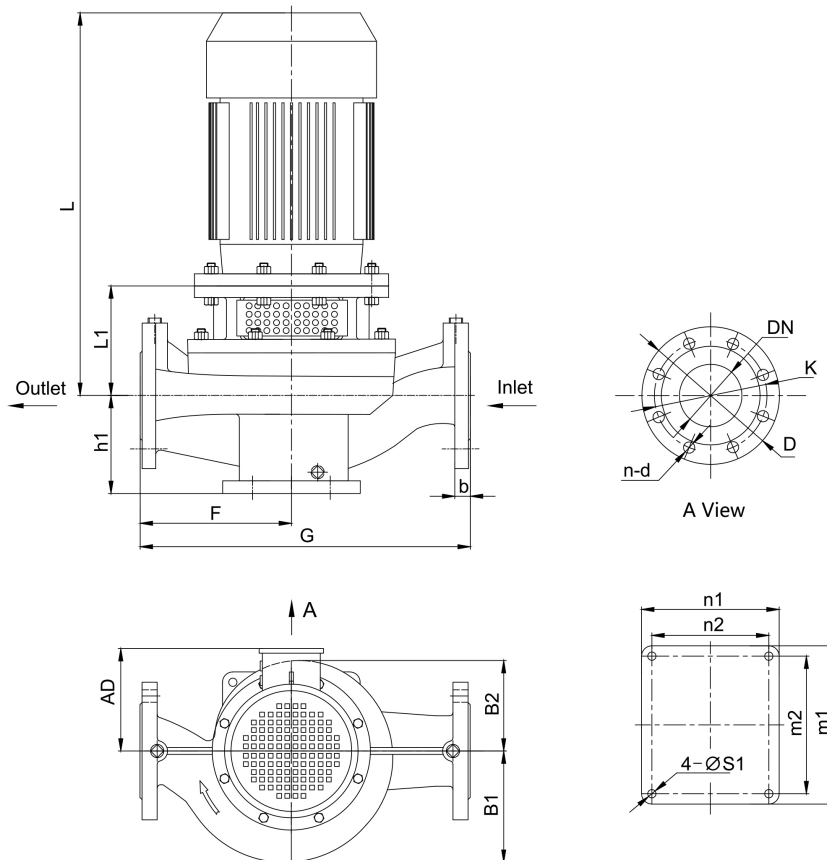
Weight (lb)

Pump	Motor	Pump & Motor
195.8	237.6	433.4

Inlet Outlet

3"	3"
----	----

Dimensions:



Pump Installation Size (inch)

h1	L1	F	G	L	AD	B1	B2	n2 x m2	n1 x m1	S1	DN	D	K	n - d	b
6.6	9.2	11.4	23.2	29.1	10	7.7	6.7	6.7x7.9	7.9x9.1	0.6	3	7.5	6	4 - ϕ 0.8	-

Project

Project ID

Created by

Created on

Last update



Performance Curves

Vertical In-line Pump - EGM80-6526-11004

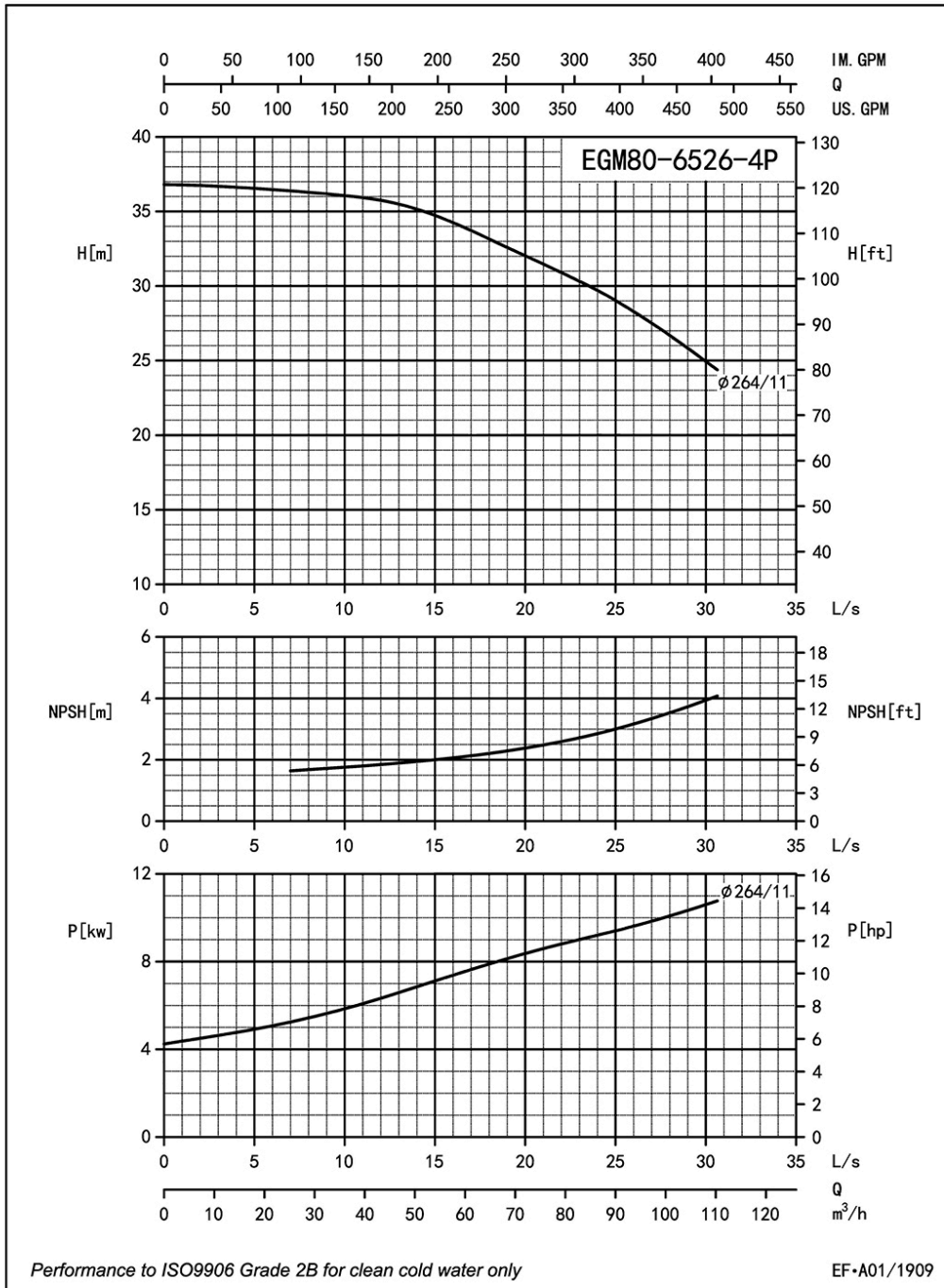
Revision no. _____

Page: 2

Receiver	From

Company name _____
 Respons. Department _____
 Person in charge _____
 Phone number _____
 Fax no _____
 E-mail address _____

Model	Capacity			Head		Speed r/min	Motor hp	Voltage v	Phase	Impeller Diam.		Eff. %	(NPSH)r ft
	m ³ /h	l/s	gpm	m	ft					mm	inch		
EGM80-6526-11004	50.8	14.1	223.5	35	115	1710	15	230/460	3	264	10.4	69	6.6
	84.6	23.5	372.5	30	98		15					75.5	9.2
	101.5	28.2	447	26.1	86		15					72	11.8



Project	Project ID	Created by	Created on	Last update
---------	------------	------------	------------	-------------



Parts List

Vertical In-line Pump - EGM80-6526-11004

Revision no.

Page:

3

Receiver

From

Company name
 Respons. Department
 Person in charge
 Phone number
 Fax no
 E-mail address

Parts List

1	Cassing	14	Screw
2	Impeller Nut	15	Screw Bolt
3	Flat Washer	16	Screw Nut
4	Spring Washer	17	Screw Bolt
5	Front-Wear Ring	18	1/4 Plug
6	Impeller	19	3/8 Plug
7	Seal Seat	20	Key
8	Mech Seal	21	Screw Nut
9	Casing Gasket	22	Motor
10	Casing Cover	23	Key
11	1/4 Plug	24	Screw
12	Adapter	25	Shaft
13	Guard		

Project	Project ID	Created by	Created on	Last update
---------	------------	------------	------------	-------------