



# Technical Data

## Vertical In-line Pump - EGM80-6526-07504

Revision no.

Page:  
 1

	Receiver	From
Company name		
Respons. Department		
Person in charge		
Phone number		
Fax no		
E-mail address		



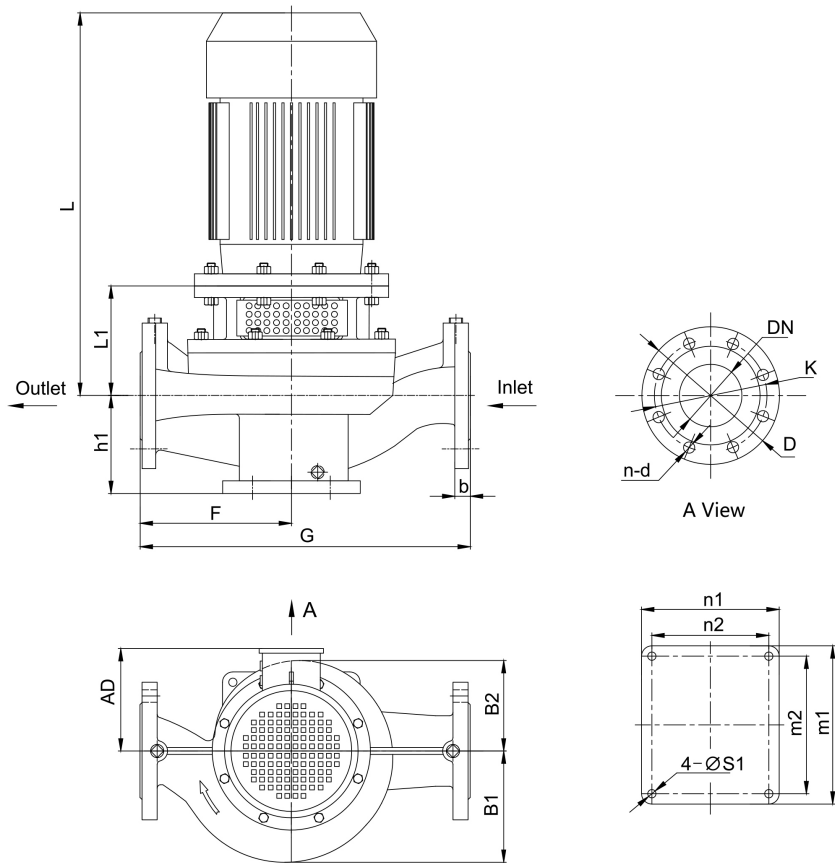
**Brand: Gol Pumps**  
**Model: EGM80-6526-07504**  
**Flange: ANSI Class 125**

Motor (V1)	
Model	HP
Y2-132M-4	10

Weight (lb)		
Pump	Motor	Pump & Motor
182.6	173.8	356.4

Inlet	Outlet
3"	3"

**Dimensions:**



Pump Installation Size (inch)															
h1	L1	F	G	L	AD	B1	B2	n2 x m2	n1 x m1	S1	DN	D	K	n - d	b
6.6	8	11.4	23.2	24.9	8.3	7.7	6.7	6.7x7.9	7.9x9.1	0.6	3	7.5	6	4 - φ0.8	-

Project	Project ID	Created by	Created on	Last update
---------	------------	------------	------------	-------------



# Performance Curves

## Vertical In-line Pump - EGM80-6526-07504

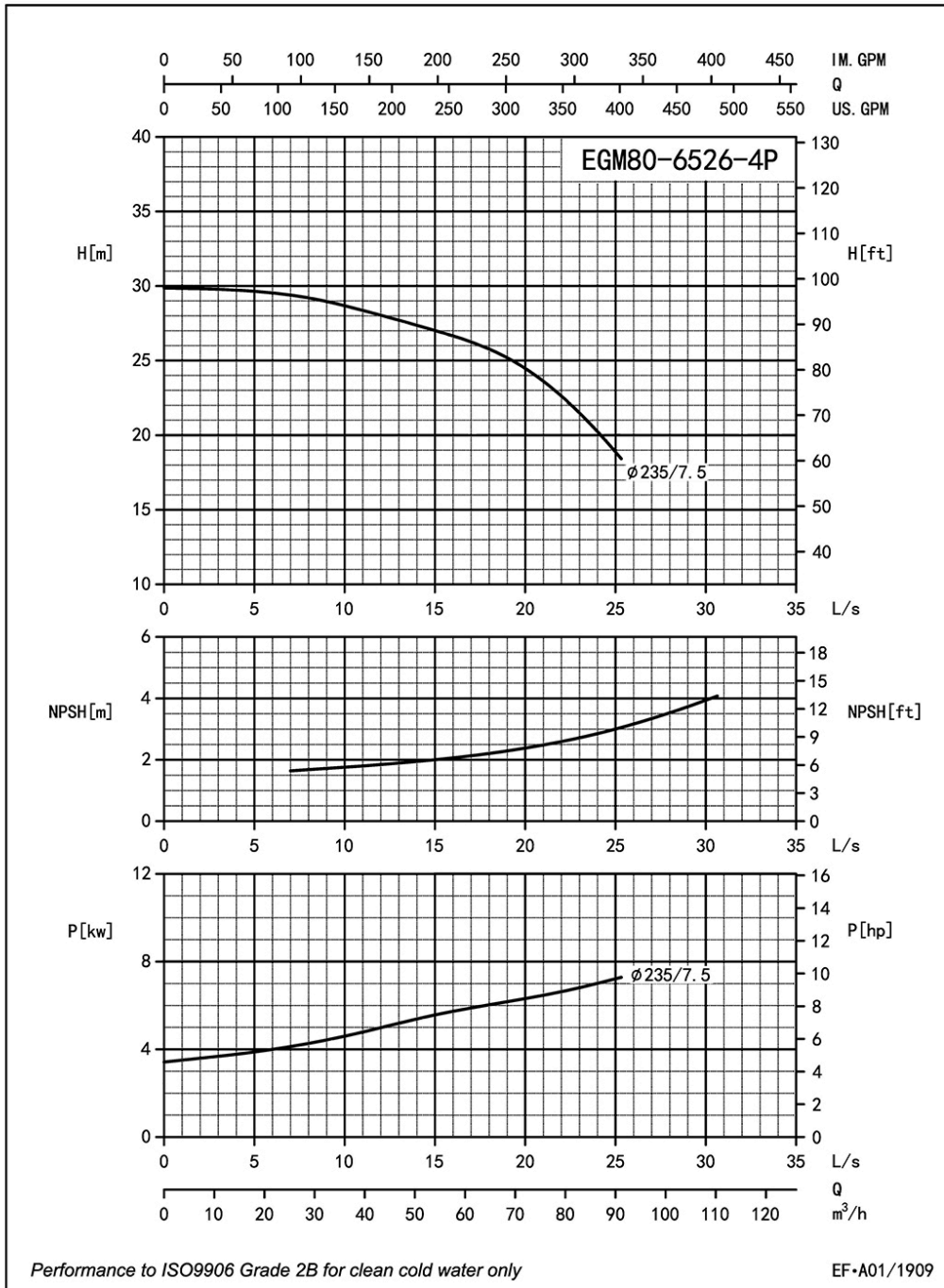
Revision no. \_\_\_\_\_  
 \_\_\_\_\_

Page:  
2

Receiver	From

Company name  
 Respons. Department  
 Person in charge  
 Phone number  
 Fax no  
 E-mail address

Model	Capacity			Head		Speed r/min	Motor hp	Voltage v	Phase	Impeller Diam.		Eff. %	(NPSH)r ft
	m <sup>3</sup> /h	l/s	gpm	m	ft					mm	inch		
EGM80-6526-07504	43.2	12	190.2	28	92	1710	10	230/460	3	235	9.3	67	6.6
	72	20	317	24.5	80		10					74	9.2
	86.4	24	380.4	20	66		10					67.5	11.8



Project	Project ID	Created by	Created on	Last update
---------	------------	------------	------------	-------------



# Parts List

## Vertical In-line Pump - EGM80-6526-07504

Revision no.

Page:  
 3

	Receiver	From
Company name		
Respons. Department		
Person in charge		
Phone number		
Fax no		
E-mail address		

### Parts List

1 Casing	14 Screw
2 Impeller Nut	15 Screw Bolt
3 Flat Washer	16 Screw Nut
4 Spring Washer	17 Screw Bolt
5 Front-Wear Ring	18 1/4 Plug
6 Impeller	19 3/8 Plug
7 Seal Seat	20 Key
8 Mech Seal	21 Screw Nut
9 Casing Gasket	22 Motor
10 Casing Cover	23 Key
11 1/4 Plug	24 Screw
12 Adapter	25 Shaft
13 Guard	

Project	Project ID	Created by	Created on	Last update