



Technical Data

Vertical In-line Pump - EGM80-6520-05504

Revision no.

Page:
 1

Company name
 Respons. Department
 Person in charge
 Phone number
 Fax no
 E-mail address

Receiver

From



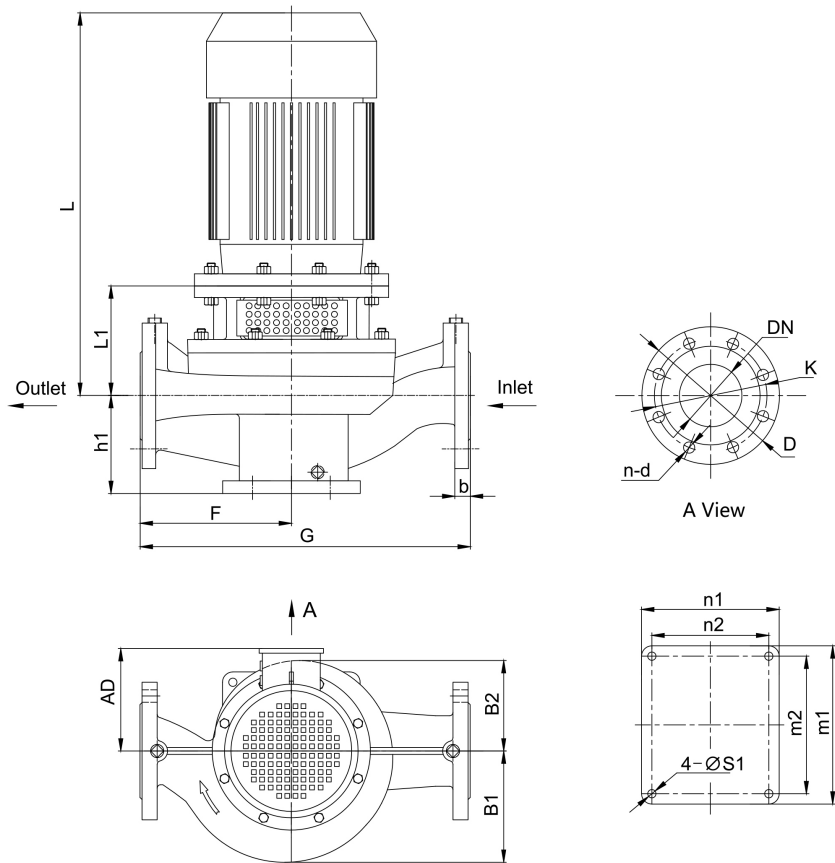
Brand: Gol Pumps
Model: EGM80-6520-05504
Flange: ANSI Class 125

Motor (V1)	
Model	HP
Y2-132S-4	7.5

Weight (lb)		
Pump	Motor	Pump & Motor
143	143	286

Inlet	Outlet
3"	3"

Dimensions:



Pump Installation Size (inch)															
h1	L1	F	G	L	AD	B1	B2	n2 x m2	n1 x m1	S1	DN	D	K	n - d	b
5.9	7.3	10.2	21.3	22.7	8.3	6.7	5.8	6.7x7.9	7.9x9.1	0.6	3	7.5	6	4 - φ0.8	-

Project	Project ID	Created by	Created on	Last update
---------	------------	------------	------------	-------------



Performance Curves

Vertical In-line Pump - EGM80-6520-05504

Revision no.

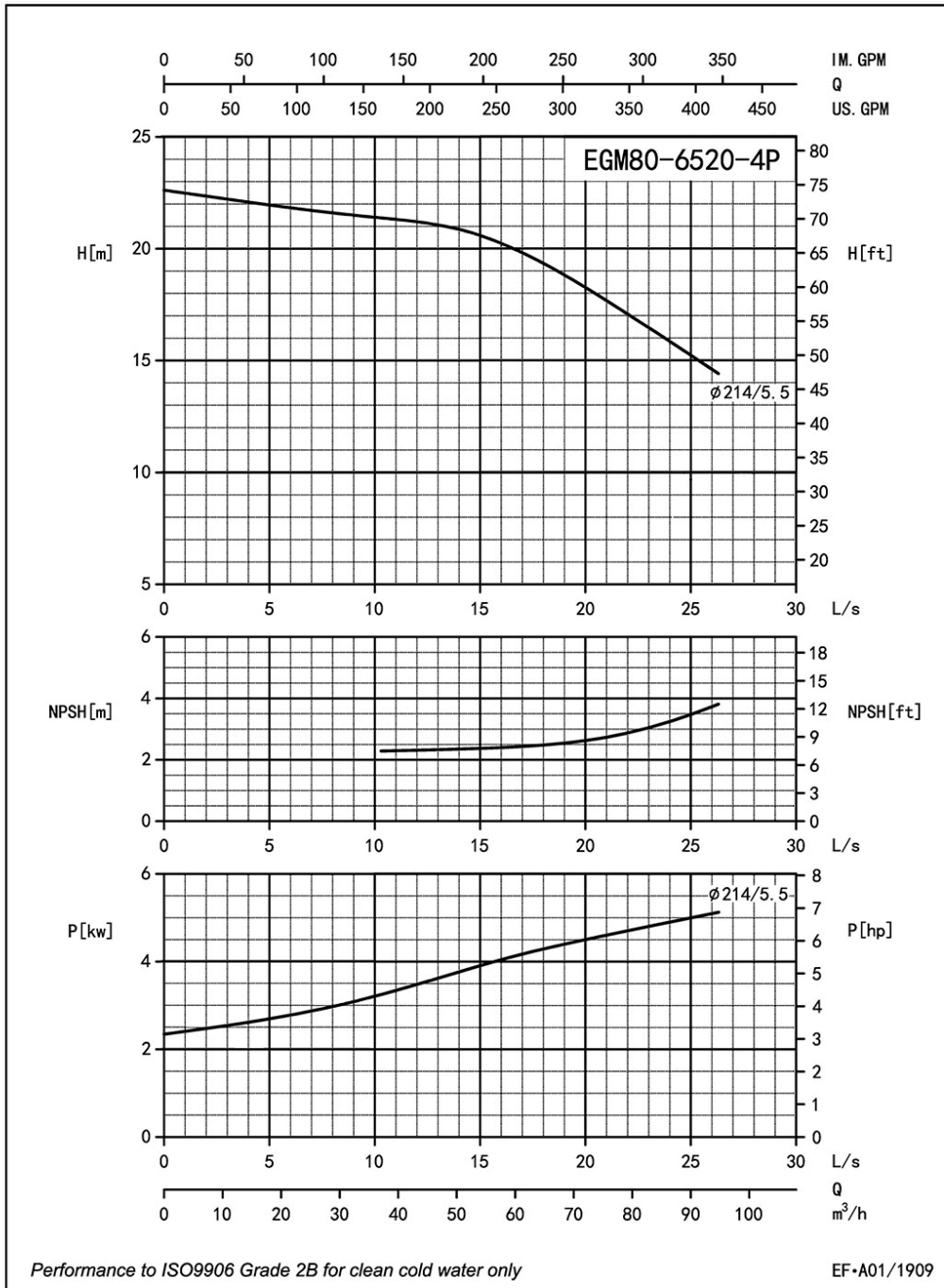
Page:
 2

Receiver

From

Company name
 Respons. Department
 Person in charge
 Phone number
 Fax no
 E-mail address

Model	Capacity			Head		Speed	Motor	Voltage	Phase	Impeller Diam.		Eff.	(NPSH)r
	m ³ /h	l/s	gpm	m	ft	r/min	hp	v		mm	inch	%	ft
EGM80-6520-05504	43.2	12	190.2	21.2	70	1710	7.5	230/460	3	214	8.4	70	7.5
	72	20	317	18.2	60		7.5					79	8.5
	86.4	24	380.4	15.9	52		7.5					76	10.5



Project	Project ID	Created by	Created on	Last update
---------	------------	------------	------------	-------------



Parts List

Vertical In-line Pump - EGM80-6520-05504

Revision no.

Page:
3

Receiver

From

Company name
Respons. Department
Person in charge
Phone number
Fax no
E-mail address

Parts List

1 Cassing	14 Screw
2 Impeller Nut	15 Screw Bolt
3 Flat Washer	16 Screw Nut
4 Spring Washer	17 Screw Bolt
5 Front-Wear Ring	18 1/4 Plug
6 Impeller	19 3/8 Plug
7 Seal Seat	20 Key
8 Mech Seal	21 Screw Nut
9 Casing Gasket	22 Motor
10 Casing Cover	23 Key
11 1/4 Plug	24 Screw
12 Adapter	25 Shaft
13 Guard	

Project	Project ID	Created by	Created on	Last update
---------	------------	------------	------------	-------------