



Technical Data

Vertical In-line Pump - EGM65-5026-07504

Revision no.

Page:
 1

Company name
 Respons. Department
 Person in charge
 Phone number
 Fax no
 E-mail address

Receiver

| |
|--|
| |
| |
| |
| |
| |
| |

From

| |
|--|
| |
| |
| |
| |
| |
| |



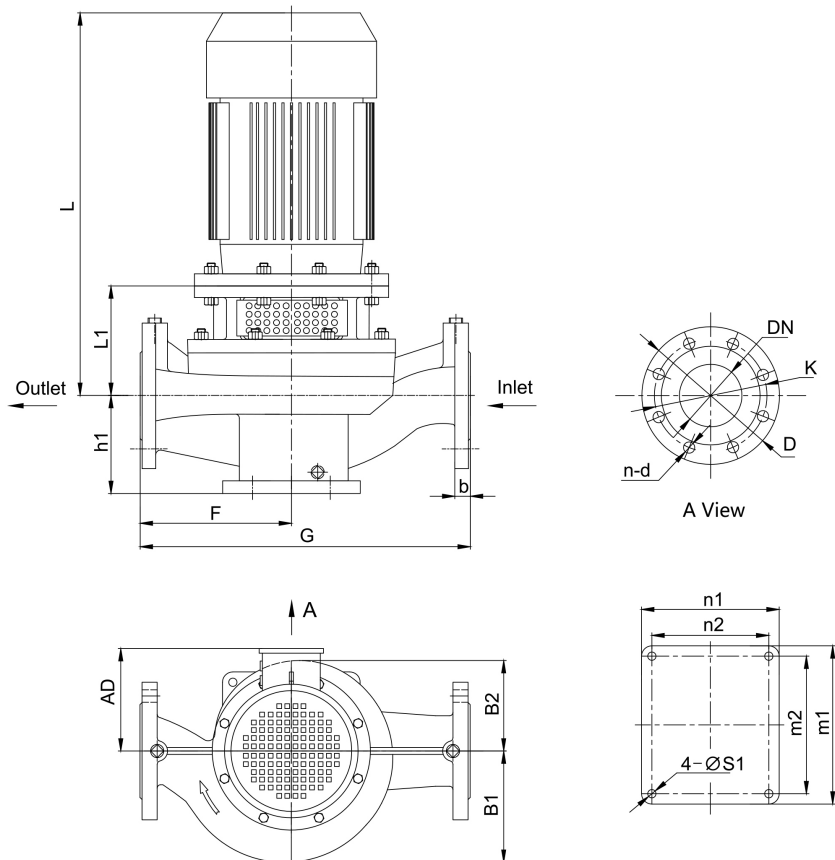
Brand: Gol Pumps
Model: EGM65-5026-07504
Flange: ANSI Class 125

| Motor (V1) | |
|------------|----|
| Model | HP |
| Y2-132M-4 | 10 |

| Weight (lb) | | |
|-------------|-------|--------------|
| Pump | Motor | Pump & Motor |
| 156.2 | 173.8 | 330 |

| Inlet | Outlet |
|-------|--------|
| 2.5" | 2.5" |

Dimensions:



| Pump Installation Size (inch) | | | | | | | | | | | | | | | |
|-------------------------------|-----|------|------|------|-----|----|-----|---------|---------|-----|-----|-----|-----|----------|---|
| h1 | L1 | F | G | L | AD | B1 | B2 | n2 x m2 | n1 x m1 | S1 | DN | D | K | n - d | b |
| 5.4 | 7.6 | 10.2 | 20.5 | 24.7 | 8.3 | 7 | 6.5 | 6.7x7.9 | 7.9x9.1 | 0.6 | 2.5 | 7.1 | 5.5 | 4 - φ0.8 | - |

| | | | | |
|---------|------------|------------|------------|-------------|
| Project | Project ID | Created by | Created on | Last update |
|---------|------------|------------|------------|-------------|



Performance Curves

Vertical In-line Pump - EGM65-5026-07504

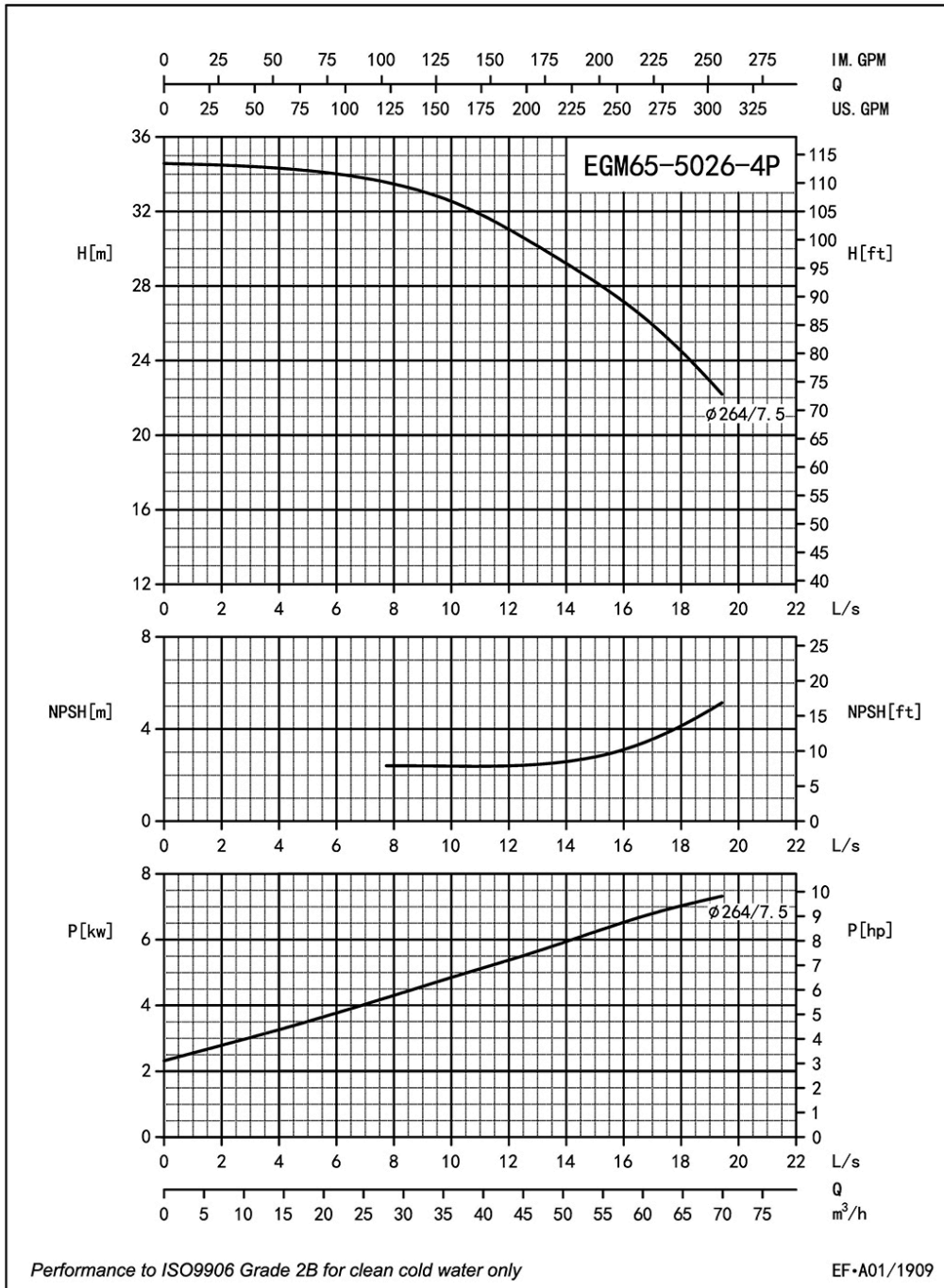
Revision no. _____

Page:
 2

| Receiver | From |
|----------|------|
| | |
| | |
| | |
| | |
| | |
| | |

Company name _____
 Respons. Department _____
 Person in charge _____
 Phone number _____
 Fax no _____
 E-mail address _____

| Model | Capacity | | | Head | | Speed | Motor | Voltage | Phase | Impeller Diam. | | Eff. | (NPSH)r |
|------------------|-------------------|------|-------|------|-----|-------|-------|---------|-------|----------------|------|------|---------|
| | m ³ /h | l/s | gpm | m | ft | r/min | hp | v | | mm | inch | % | ft |
| EGM65-5026-07504 | 28.1 | 7.8 | 123.6 | 33.5 | 110 | 1710 | 10 | 230/460 | 3 | 264 | 10.4 | 62 | 7.5 |
| | 46.8 | 13 | 206.1 | 30 | 98 | | 10 | | | | | 68 | 8.2 |
| | 56.2 | 15.6 | 247.3 | 27.5 | 90 | | 10 | | | | | 65 | 9.8 |



| | | | | |
|---------|------------|------------|------------|-------------|
| Project | Project ID | Created by | Created on | Last update |
|---------|------------|------------|------------|-------------|



Parts List

Vertical In-line Pump - EGM65-5026-07504

Revision no.

Page:
 3

Receiver

From

Company name
 Respons. Department
 Person in charge
 Phone number
 Fax no
 E-mail address

| |
|--|
| |
| |
| |
| |
| |

| |
|--|
| |
| |
| |
| |
| |

Parts List

| | | | |
|----|-----------------|----|------------|
| 1 | Cassing | 14 | Screw |
| 2 | Impeller Nut | 15 | Screw Bolt |
| 3 | Flat Washer | 16 | Screw Nut |
| 4 | Spring Washer | 17 | Screw Bolt |
| 5 | Front-Wear Ring | 18 | 1/4 Plug |
| 6 | Impeller | 19 | 3/8 Plug |
| 7 | Seal Seat | 20 | Key |
| 8 | Mech Seal | 21 | Screw Nut |
| 9 | Casing Gasket | 22 | Motor |
| 10 | Casing Cover | 23 | Key |
| 11 | 1/4 Plug | 24 | Screw |
| 12 | Adapter | 25 | Shaft |
| 13 | Guard | | |

| | | | | |
|---------|------------|------------|------------|-------------|
| Project | Project ID | Created by | Created on | Last update |
|---------|------------|------------|------------|-------------|