



# Technical Data

## Vertical In-line Pump - EGM65-5016-01104

Revision no.

Page:

1

Receiver

From

 Company name  
 Respons. Department  
 Person in charge  
 Phone number  
 Fax no  
 E-mail address


**Brand: Gol Pumps**  
**Model: EGM65-5016-01104**  
**Flange: ANSI Class 125**

### Motor (V1)

Model	HP
Y2-90S-4	1.5

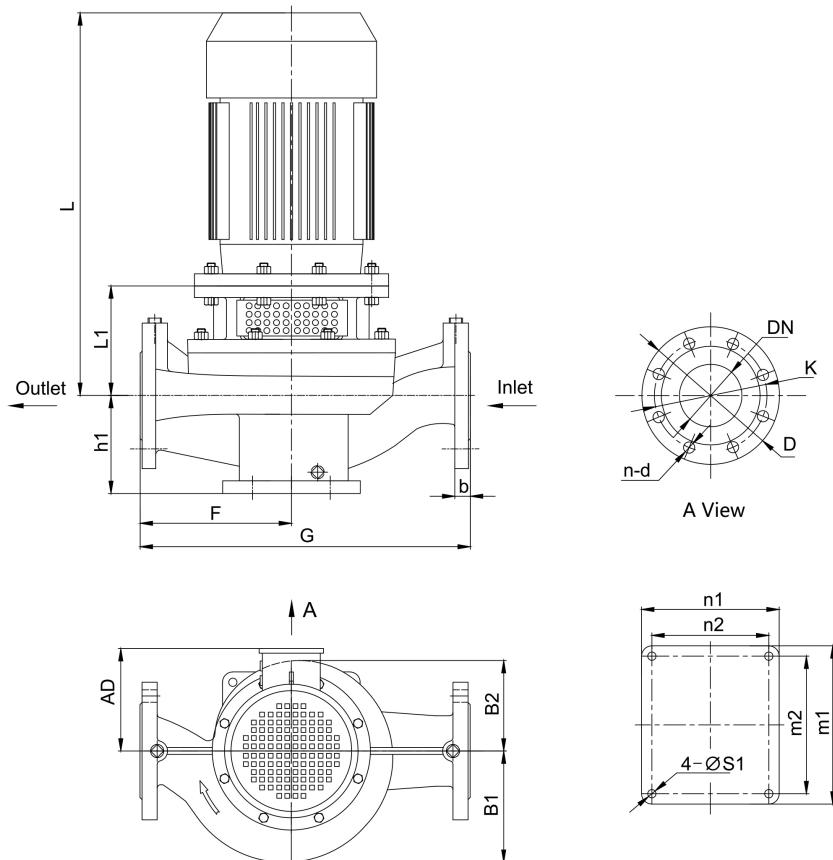
### Weight (lb)

Pump	Motor	Pump & Motor
99	48.4	147.4

### Inlet      Outlet

2.5"	2.5"
------	------

### Dimensions:



### Pump Installation Size (inch)

h1	L1	F	G	L	AD	B1	B2	n2 x m2	n1 x m1	S1	DN	D	K	n - d	b
5.4	6	8.7	17.3	16.6	6.1	5.5	4.7	6.7x7.9	7.9x9.1	0.5	2.5	7.1	5.5	4 - $\phi$ 0.8	-

Project

Project ID

Created by

Created on

Last update



# Performance Curves

## Vertical In-line Pump - EGM65-5016-01104

Revision no.

Page:

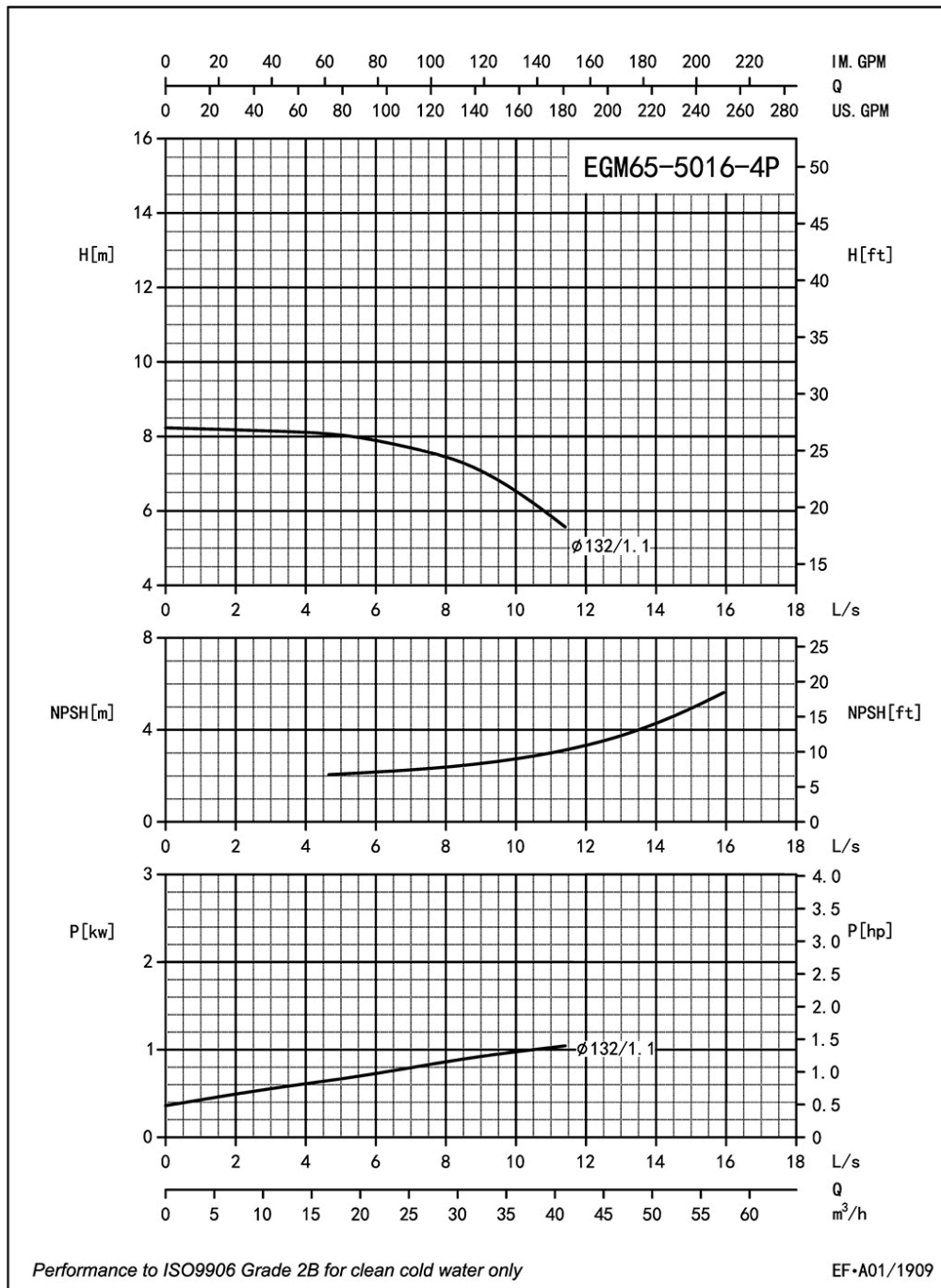
2

Receiver

From

 Company name  
 Respons. Department  
 Person in charge  
 Phone number  
 Fax no  
 E-mail address

Model	Capacity			Head		Speed	Motor	Voltage	Phase	Impeller Diam.		Eff.	(NPSH)r
	m <sup>3</sup> /h	l/s	gpm	m	ft	r/min	hp	v		mm	inch	%	ft
EGM65-5016-01104	19.4	5.4	85.6	8	26	1710	1.5	230/460	3	132	5.2	59	7.5
	32.4	9	142.7	7	23		1.5					68	10.8
	38.9	10.8	171.2	6	20		1.5					63	14.8



Project

Project ID

Created by

Created on

Last update



# Parts List

## Vertical In-line Pump - EGM65-5016-01104

Revision no.

Page:

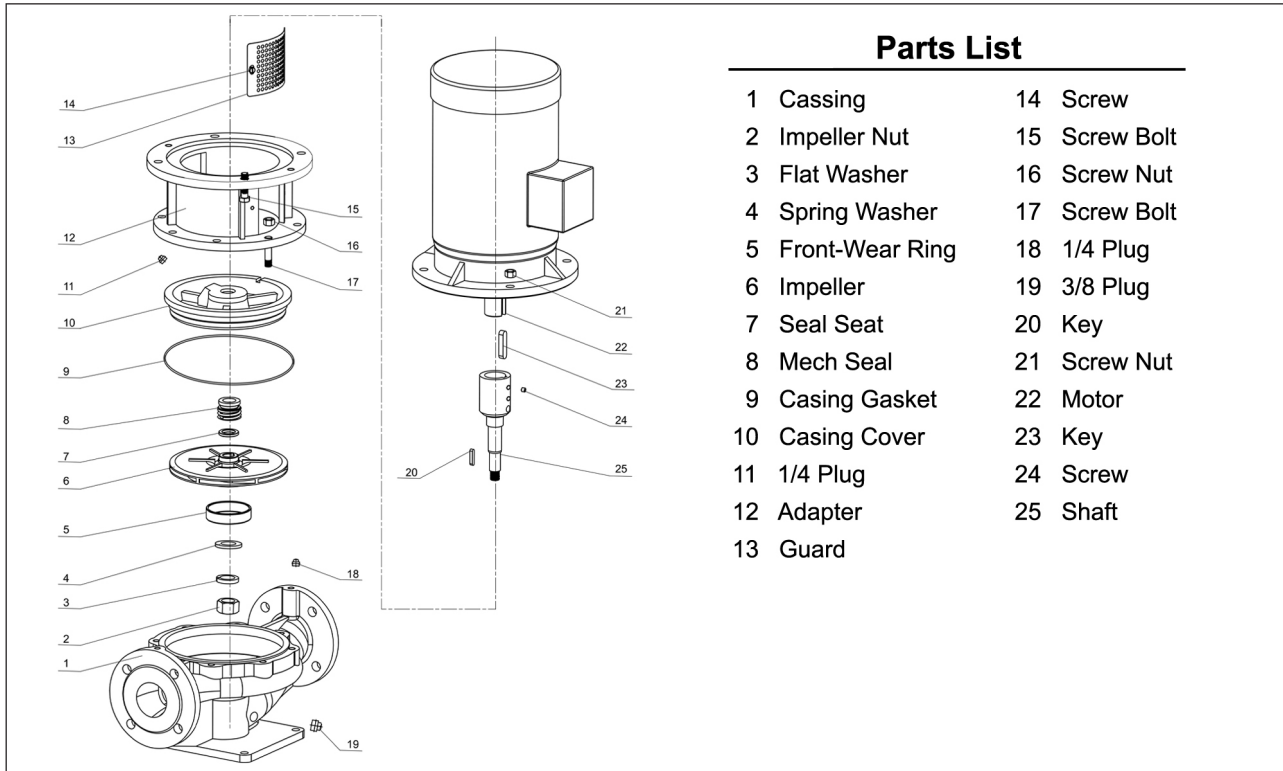
3

Receiver

From

 Company name  
 Respons. Department  
 Person in charge  
 Phone number  
 Fax no  
 E-mail address





Project

Project ID

Created by

Created on

Last update