



Technical Data

Vertical In-line Pump - EGM65-4026-04004

Revision no.

Page:

1

Receiver

From

 Company name
 Respons. Department
 Person in charge
 Phone number
 Fax no
 E-mail address


Brand: Gol Pumps
Model: EGM65-4026-04004
Flange: ANSI Class 125

Motor (V1)

Model	HP
Y2-112M-4	5.5

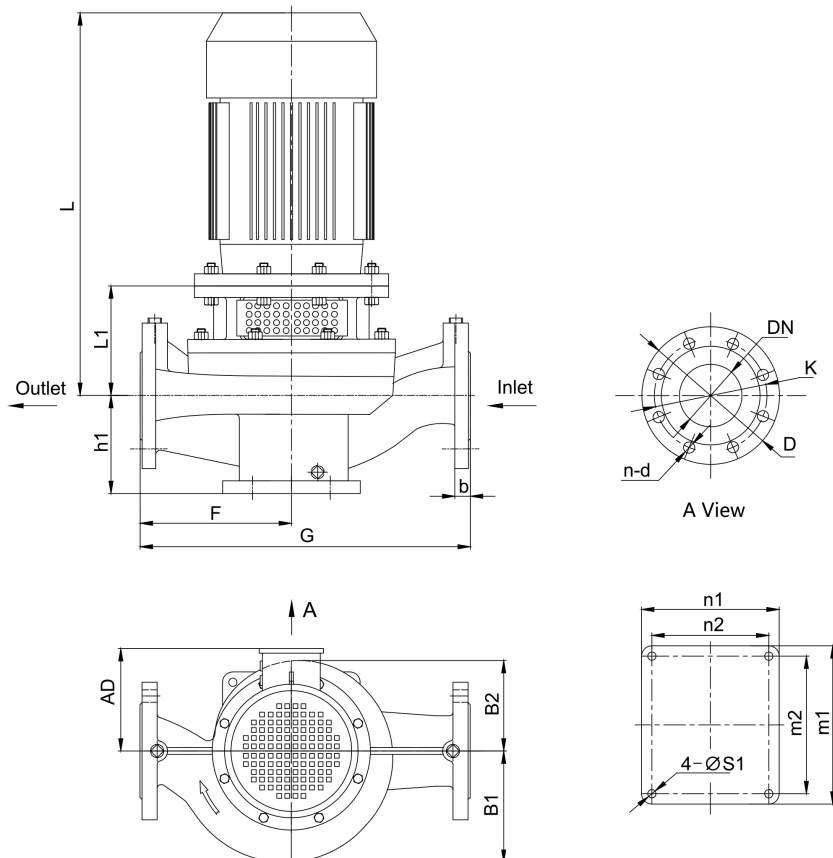
Weight (lb)

Pump	Motor	Pump & Motor
145.2	103.4	248.6

Inlet Outlet

2.5"	2.5"
------	------

Dimensions:



Pump Installation Size (inch)

h1	L1	F	G	L	AD	B1	B2	n2 x m2	n1 x m1	S1	DN	D	K	n - d	b
5.4	6.8	10.2	20.5	20.2	7.5	6.6	6.6	6.7x7.9	7.9x9.1	0.6	2.5	7.1	5.5	4 - ϕ 0.8	-

Project

Project ID

Created by

Created on

Last update



Performance Curves

Vertical In-line Pump - EGM65-4026-04004

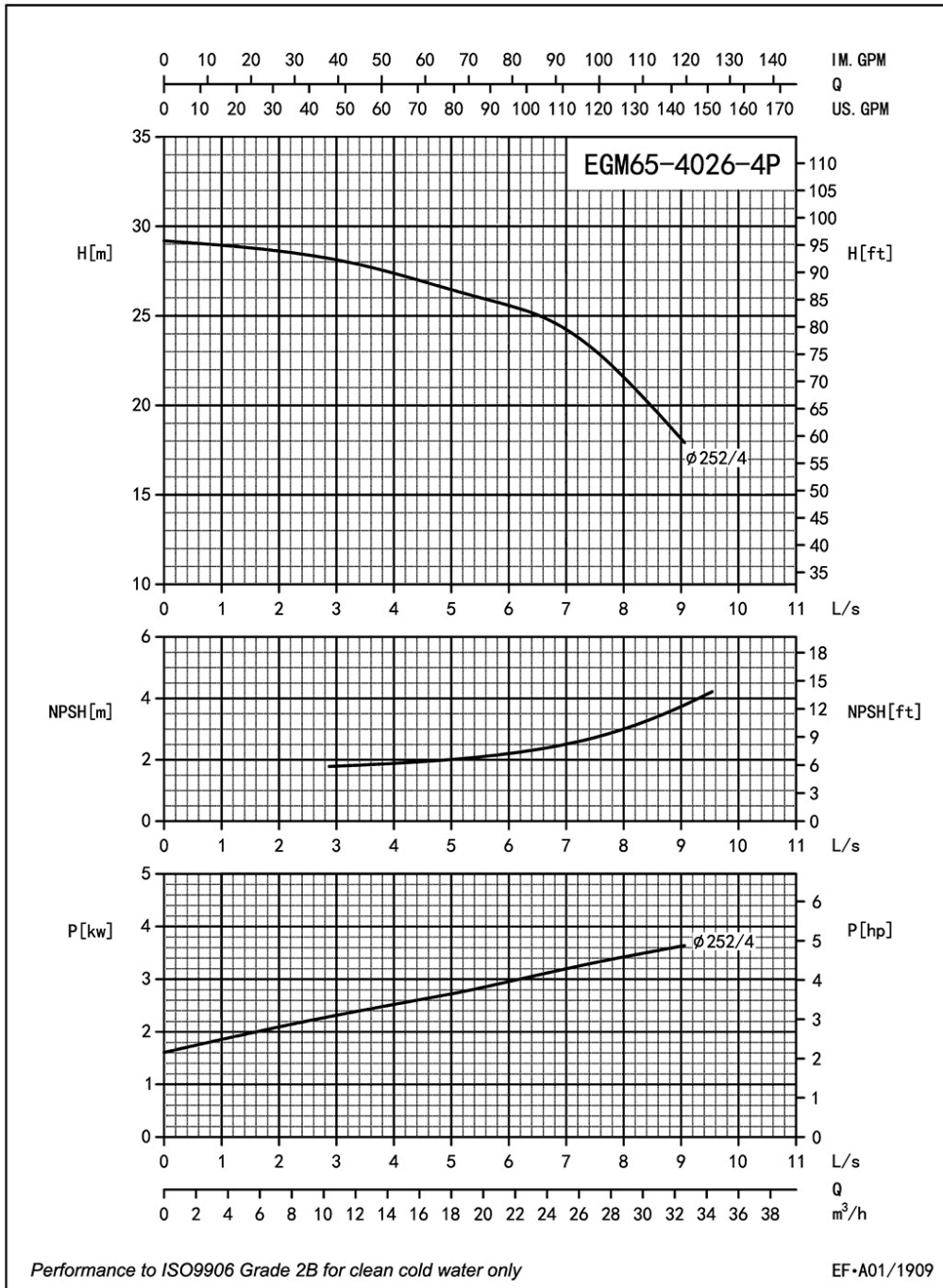
Revision no.

Page:
 2

Receiver	From

Company name
 Respons. Department
 Person in charge
 Phone number
 Fax no
 E-mail address

Model	Capacity			Head		Speed	Motor	Voltage	Phase	Impeller Diam.		Eff.	(NPSH)r
	m ³ /h	l/s	gpm	m	ft	r/min	hp	v		mm	inch	%	ft
EGM65-4026-04004	14.4	4	62.8	27.3	90	1710	5.5	230/460	3	252	9.9	44	6.6
	23.8	6.6	104.6	25	82		5.5					52	8.2
	28.4	7.9	125.5	21.9	72		5.5					49	11.5



Project	Project ID	Created by	Created on	Last update
---------	------------	------------	------------	-------------



Parts List

Vertical In-line Pump - EGM65-4026-04004

Revision no.

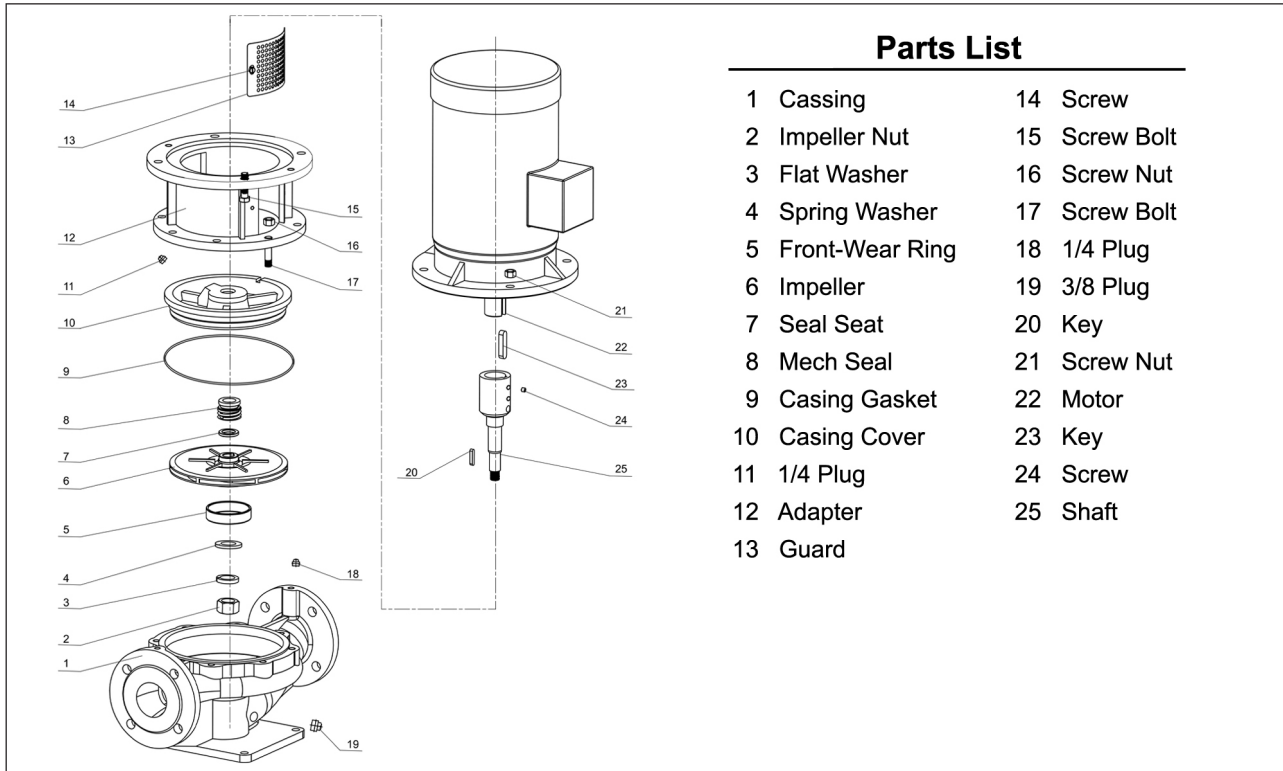
Page:

3

Receiver

From

 Company name
 Respons. Department
 Person in charge
 Phone number
 Fax no
 E-mail address



Project

Project ID

Created by

Created on

Last update