



Technical Data

Vertical In-line Pump - EGM65-4020-01504

Revision no.

Page:

1

Receiver

From

 Company name
 Respons. Department
 Person in charge
 Phone number
 Fax no
 E-mail address


Brand: Gol Pumps Model:
EGM65-4020-01504
Flange: ANSI Class 125

Motor (V1)

| Model | HP |
|----------|----|
| Y2-90L-4 | 2 |

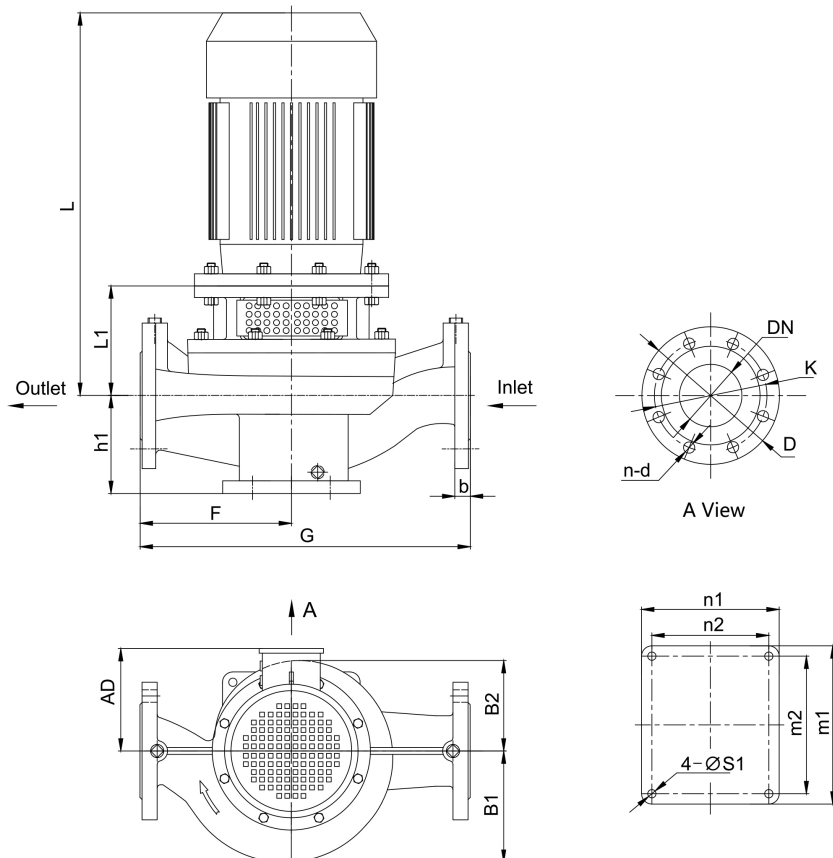
Weight (lb)

| Pump | Motor | Pump & Motor |
|-------|-------|--------------|
| 112.2 | 59.4 | 169.4 |

Inlet Outlet

| | |
|------|------|
| 2.5" | 2.5" |
|------|------|

Dimensions:



Pump Installation Size (inch)

| h1 | L1 | F | G | L | AD | B1 | B2 | n2 x m2 | n1 x m1 | S1 | DN | D | K | n - d | b |
|-----|-----|-----|------|------|-----|-----|-----|---------|---------|-----|-----|-----|-----|----------------|---|
| 5.4 | 5.9 | 9.4 | 18.9 | 17.6 | 6.1 | 5.7 | 5.3 | 6.7x7.9 | 7.9x9.1 | 0.6 | 2.5 | 7.1 | 5.5 | 4 - ϕ 0.8 | - |

Project

Project ID

Created by

Created on

Last update



Performance Curves

Vertical In-line Pump - EGM65-4020-01504

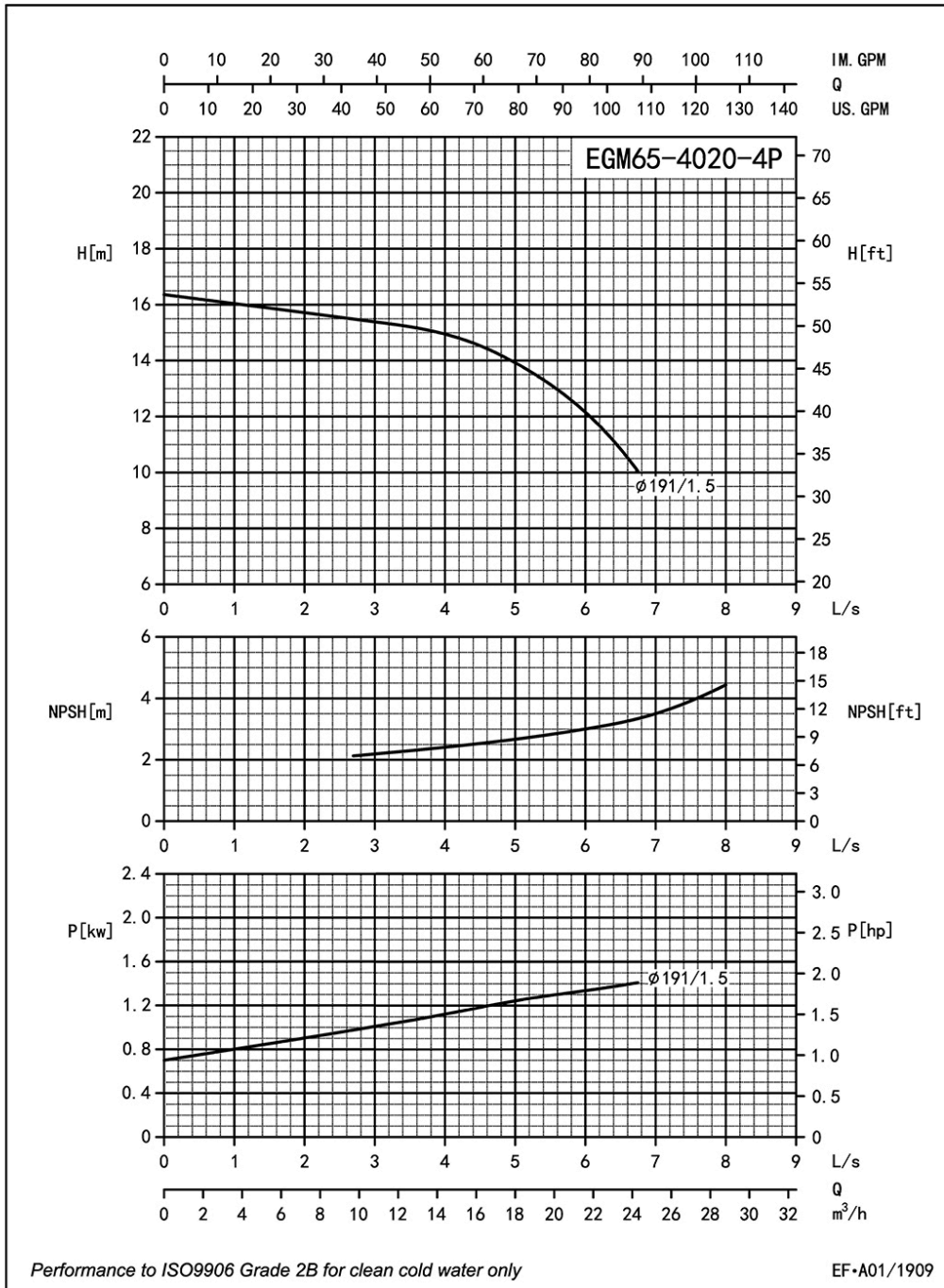
Revision no.

Page:
 2

| Receiver | From |
|----------|------|
| | |
| | |
| | |
| | |
| | |
| | |

Company name
 Respons. Department
 Person in charge
 Phone number
 Fax no
 E-mail address

| Model | Capacity | | | Head | | Speed | Motor | Voltage | Phase | Impeller Diam. | | Eff. | (NPSH)r |
|------------------|-------------------|-----|------|------|----|-------|-------|---------|-------|----------------|------|------|---------|
| | m ³ /h | l/s | gpm | m | ft | r/min | hp | v | | mm | inch | % | ft |
| EGM65-4020-01504 | 10.8 | 3 | 47.6 | 15.4 | 51 | 1710 | 2 | 230/460 | 3 | 191 | 7.5 | 43 | 7.5 |
| | 18 | 5 | 79.3 | 14 | 46 | | 2 | | | | | 54 | 9.8 |
| | 21.6 | 6 | 95.1 | 12 | 39 | | 2 | | | | | 51 | 11.5 |



| | | | | |
|---------|------------|------------|------------|-------------|
| Project | Project ID | Created by | Created on | Last update |
|---------|------------|------------|------------|-------------|



Parts List

Vertical In-line Pump - EGM65-4020-01504

Revision no.

Page:
 3

| | Receiver | From |
|---------------------|----------|------|
| Company name | | |
| Respons. Department | | |
| Person in charge | | |
| Phone number | | |
| Fax no | | |
| E-mail address | | |

Parts List

| | |
|-------------------|---------------|
| 1 Cassing | 14 Screw |
| 2 Impeller Nut | 15 Screw Bolt |
| 3 Flat Washer | 16 Screw Nut |
| 4 Spring Washer | 17 Screw Bolt |
| 5 Front-Wear Ring | 18 1/4 Plug |
| 6 Impeller | 19 3/8 Plug |
| 7 Seal Seat | 20 Key |
| 8 Mech Seal | 21 Screw Nut |
| 9 Casing Gasket | 22 Motor |
| 10 Casing Cover | 23 Key |
| 11 1/4 Plug | 24 Screw |
| 12 Adapter | 25 Shaft |
| 13 Guard | |

| Project | Project ID | Created by | Created on | Last update |
|---------|------------|------------|------------|-------------|
| | | | | |