



# Technical Data

## Vertical In-line Pump - EGM50-3220-01104

Revision no.

Page:

1

Receiver

From

 Company name  
 Respons. Department  
 Person in charge  
 Phone number  
 Fax no  
 E-mail address


**Brand: Gol Pumps**  
**Model: EGM50-3220-01104**  
**Flange: ANSI Class 125**

### Motor (V1)

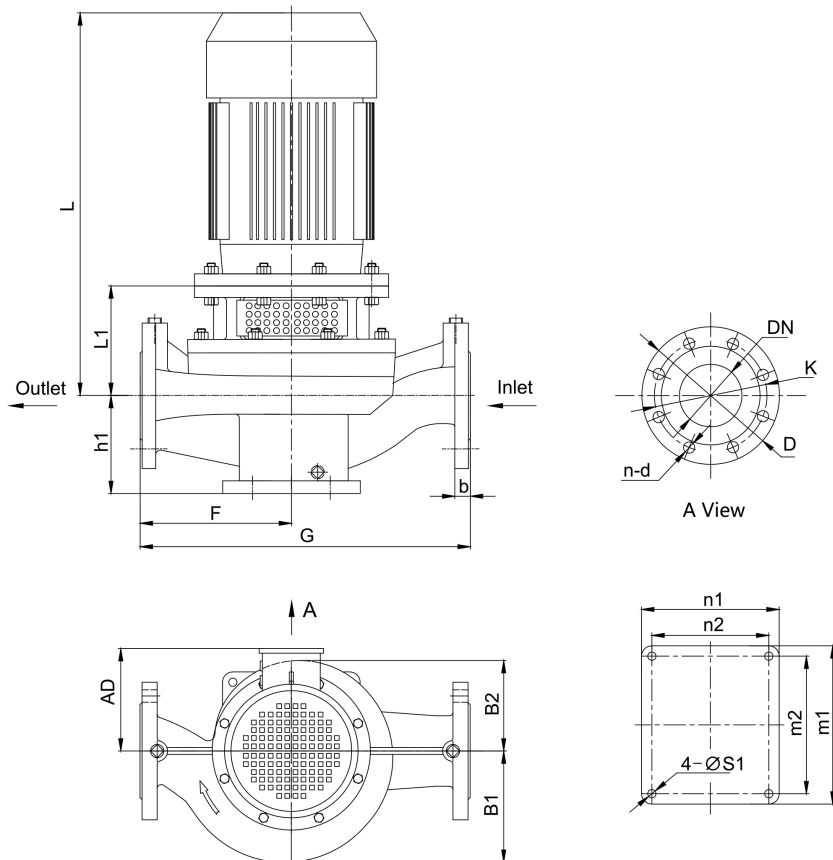
Model	HP
Y2-90S-4	1.5

### Weight (lb)

Pump	Motor	Pump & Motor
101.2	48.4	149.6

Inlet	Outlet
2"	2"

### Dimensions:



### Pump Installation Size (inch)

h1	L1	F	G	L	AD	B1	B2	n2 x m2	n1 x m1	S1	DN	D	K	n - d	b
4.6	5.9	8.3	16.5	15.6	6.1	5.4	5.3	6.7x7.9	7.9x9.1	0.6	2	5.9	4.8	4 - $\phi$ 0.8	-

Project

Project ID

Created by

Created on

Last update



# Performance Curves

## Vertical In-line Pump - EGM50-3220-01104

Revision no.

Page:

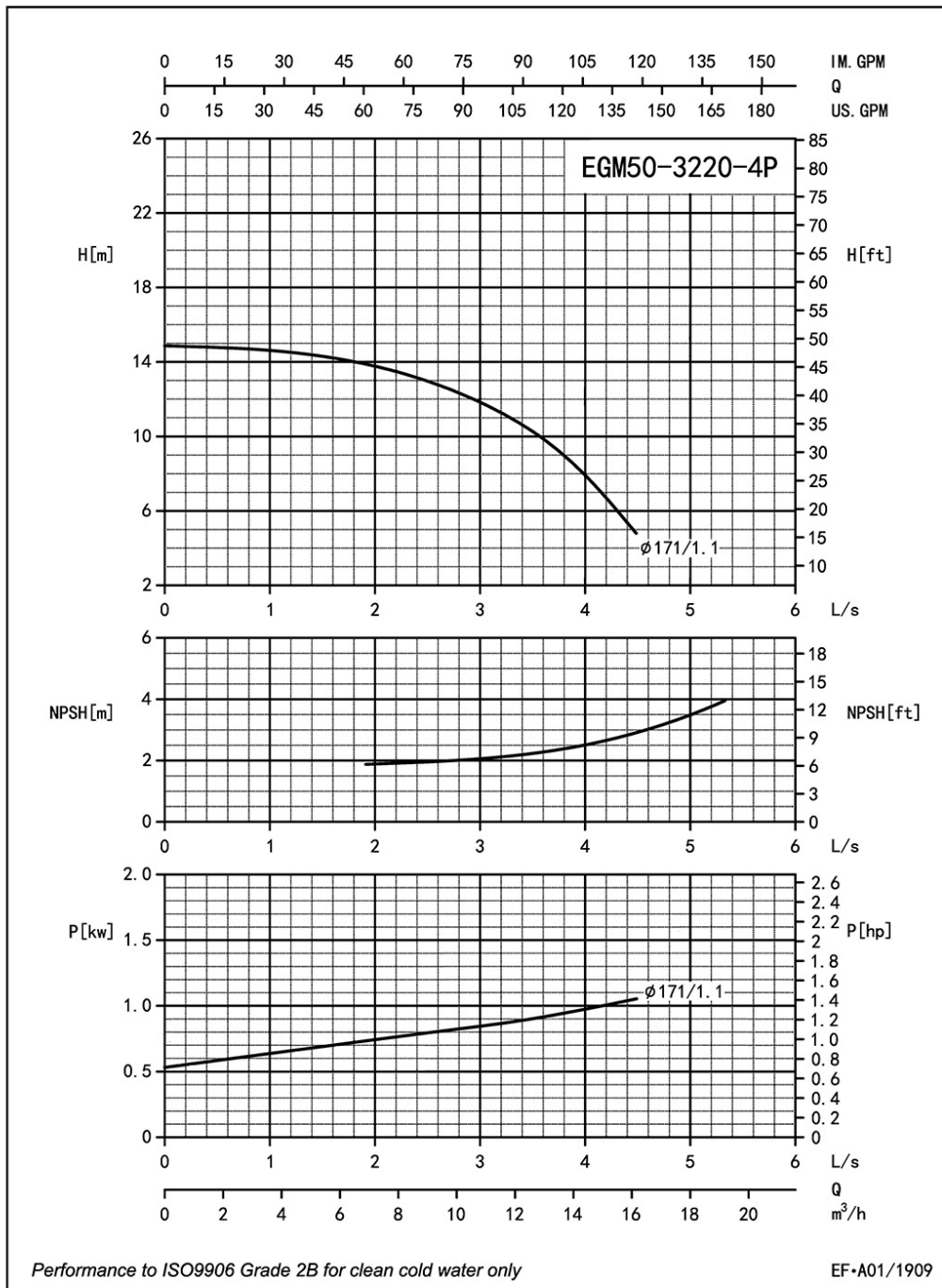
2

Receiver

From

 Company name  
 Respons. Department  
 Person in charge  
 Phone number  
 Fax no  
 E-mail address

Model	Capacity			Head		Speed	Motor	Voltage	Phase	Impeller Diam.		Eff.	(NPSH)r
	m <sup>3</sup> /h	l/s	gpm	m	ft	r/min	hp	v		mm	inch	%	ft
EGM50-3220-01104	6.5	1.8	28.5	14	46	1710	1.5	230/460	3	171	6.7	35	6.6
	10.8	3	47.6	12	39		1.5					42	7.9
	13	3.6	57.1	10	33		1.5					39	9.8



Project

Project ID

Created by

Created on

Last update



# Parts List

## Vertical In-line Pump - EGM50-3220-01104

Revision no.

Page:  
 3

Receiver

From

Company name  
 Respons. Department  
 Person in charge  
 Phone number  
 Fax no  
 E-mail address



### Parts List

1 Casing	14 Screw
2 Impeller Nut	15 Screw Bolt
3 Flat Washer	16 Screw Nut
4 Spring Washer	17 Screw Bolt
5 Front-Wear Ring	18 1/4 Plug
6 Impeller	19 3/8 Plug
7 Seal Seat	20 Key
8 Mech Seal	21 Screw Nut
9 Casing Gasket	22 Motor
10 Casing Cover	23 Key
11 1/4 Plug	24 Screw
12 Adapter	25 Shaft
13 Guard	

Project	Project ID	Created by	Created on	Last update
---------	------------	------------	------------	-------------