



Technical Data

Vertical In-line Pump - EGM100-8032-22004

Revision no.

Page:

1

Receiver

From

 Company name
 Respons. Department
 Person in charge
 Phone number
 Fax no
 E-mail address


Brand: Gol Pumps
Model: EGM100-8032-22004
Flange: ANSI Class 125

Motor (V1)

Model	HP
Y2-180L-4	30

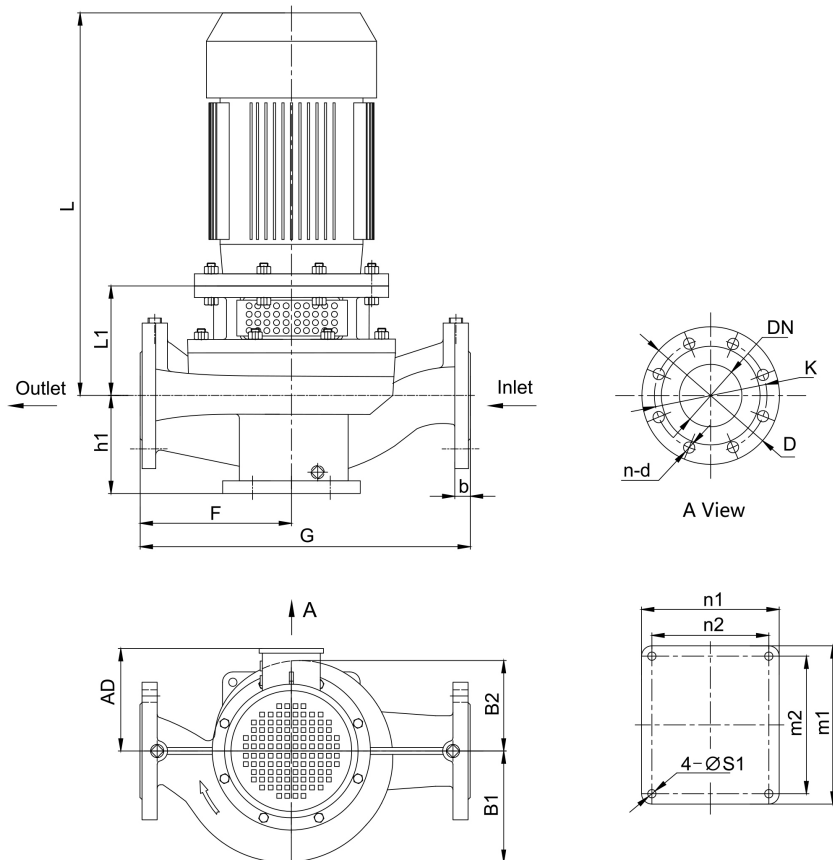
Weight (lb)

Pump	Motor	Pump & Motor
281.6	393.8	673.2

Inlet Outlet

4"	4"
----	----

Dimensions:



Pump Installation Size (inch)

h1	L1	F	G	L	AD	B1	B2	n2 x m2	n1 x m1	S1	DN	D	K	n - d	b
7.3	9.3	13.4	27.6	34.1	11	9.3	8.3	7.9x9.8	9.8x11.8	0.7	4	9.1	7.5	8 - ϕ 0.8	-

Project

Project ID

Created by

Created on

Last update



Performance Curves

Vertical In-line Pump - EGM100-8032-22004

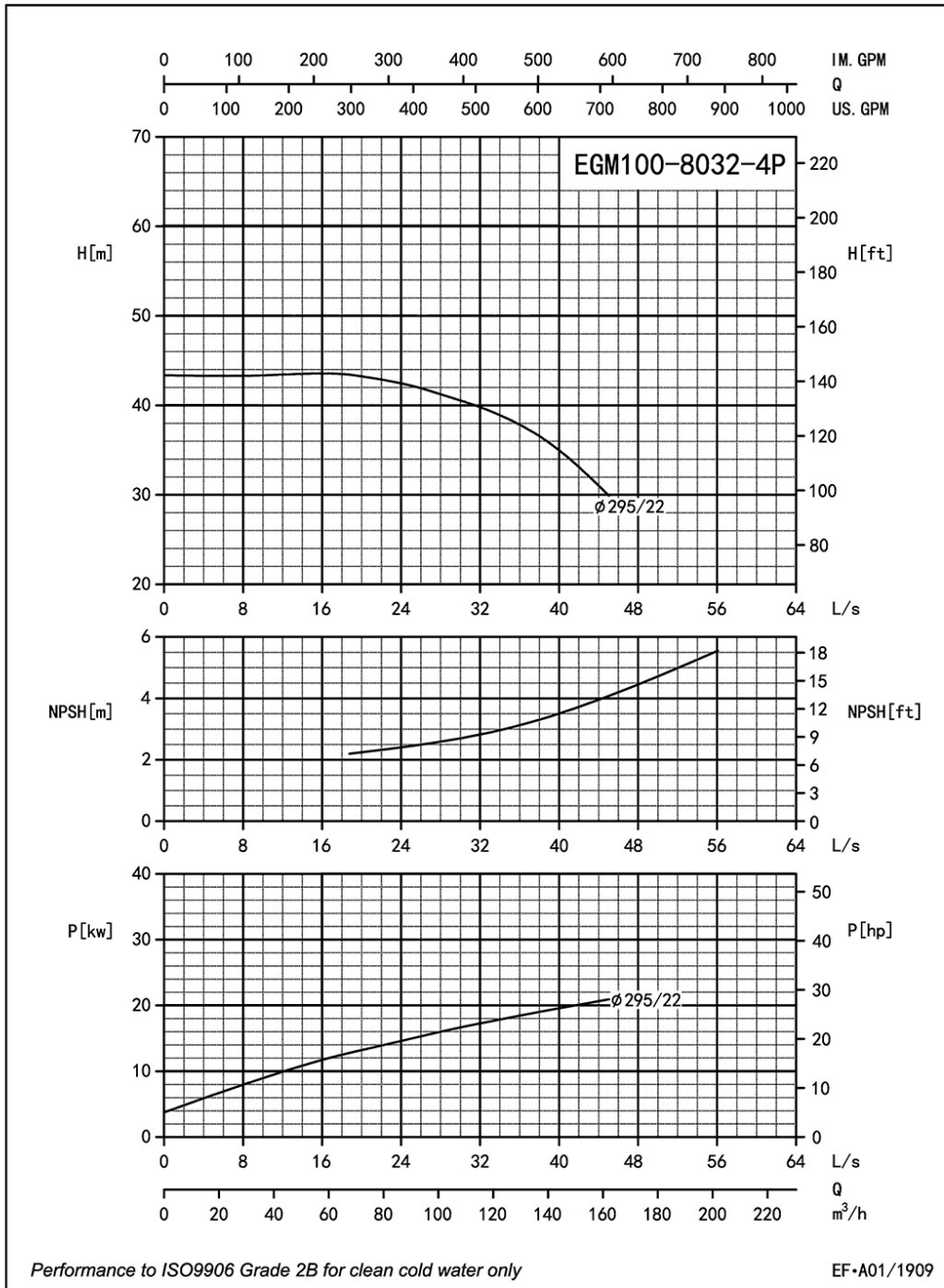
Revision no.

Page:
 2

Receiver	From

Company name
 Respons. Department
 Person in charge
 Phone number
 Fax no
 E-mail address

Model	Capacity			Head		Speed r/min	Motor hp	Voltage v	Phase	Impeller Diam.		Eff. %	(NPSH)r ft
	m ³ /h	l/s	gpm	m	ft					mm	inch		
EGM100-8032-22004	77.8	21.6	342.4	42.5	139	1760	30	230/460	3	295	11.6	67	8.2
	129.6	36	570.6	38	125		30					72	11.5
	155.5	43.2	684.7	32	105		30					67	14.8



Performance to ISO9906 Grade 2B for clean cold water only

EF•A01/1909

Project	Project ID	Created by	Created on	Last update
---------	------------	------------	------------	-------------



Parts List

Vertical In-line Pump - EGM100-8032-22004

Revision no.

Page:
 3

	Receiver	From
Company name		
Respons. Department		
Person in charge		
Phone number		
Fax no		
E-mail address		

Parts List

1 Cassing	14 Screw
2 Impeller Nut	15 Screw Bolt
3 Flat Washer	16 Screw Nut
4 Spring Washer	17 Screw Bolt
5 Front-Wear Ring	18 1/4 Plug
6 Impeller	19 3/8 Plug
7 Seal Seat	20 Key
8 Mech Seal	21 Screw Nut
9 Casing Gasket	22 Motor
10 Casing Cover	23 Key
11 1/4 Plug	24 Screw
12 Adapter	25 Shaft
13 Guard	

Project	Project ID	Created by	Created on	Last update