



Technical Data

Vertical In-line Pump - EGM100-8016-04004

Revision no.

Page:
 1

	Receiver	From
Company name		
Respons. Department		
Person in charge		
Phone number		
Fax no		
E-mail address		



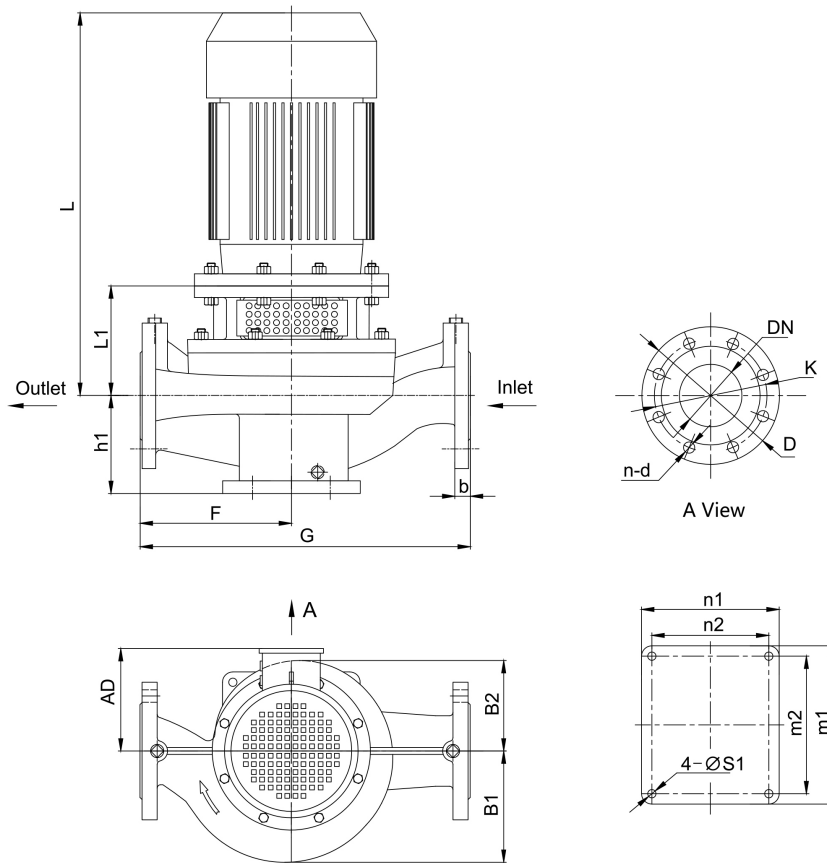
Brand: Gol Pumps
Model: EGM100-8016-04004
Flange: ANSI Class 125

Motor (V1)	
Model	HP
Y2-112M-4	5.5

Weight (lb)		
Pump	Motor	Pump & Motor
127.6	103.4	231

Inlet	Outlet
4"	4"

Dimensions:



Pump Installation Size (inch)															
h1	L1	F	G	L	AD	B1	B2	n2 x m2	n1 x m1	S1	DN	D	K	n - d	b
7.4	6.5	10.2	21.3	19.8	7.5	6.6	5.4	6.7x7.9	7.9x9.1	0.5	4	9.1	7.5	8 - φ0.8	-

Project	Project ID	Created by	Created on	Last update
---------	------------	------------	------------	-------------



Performance Curves

Vertical In-line Pump - EGM100-8016-04004

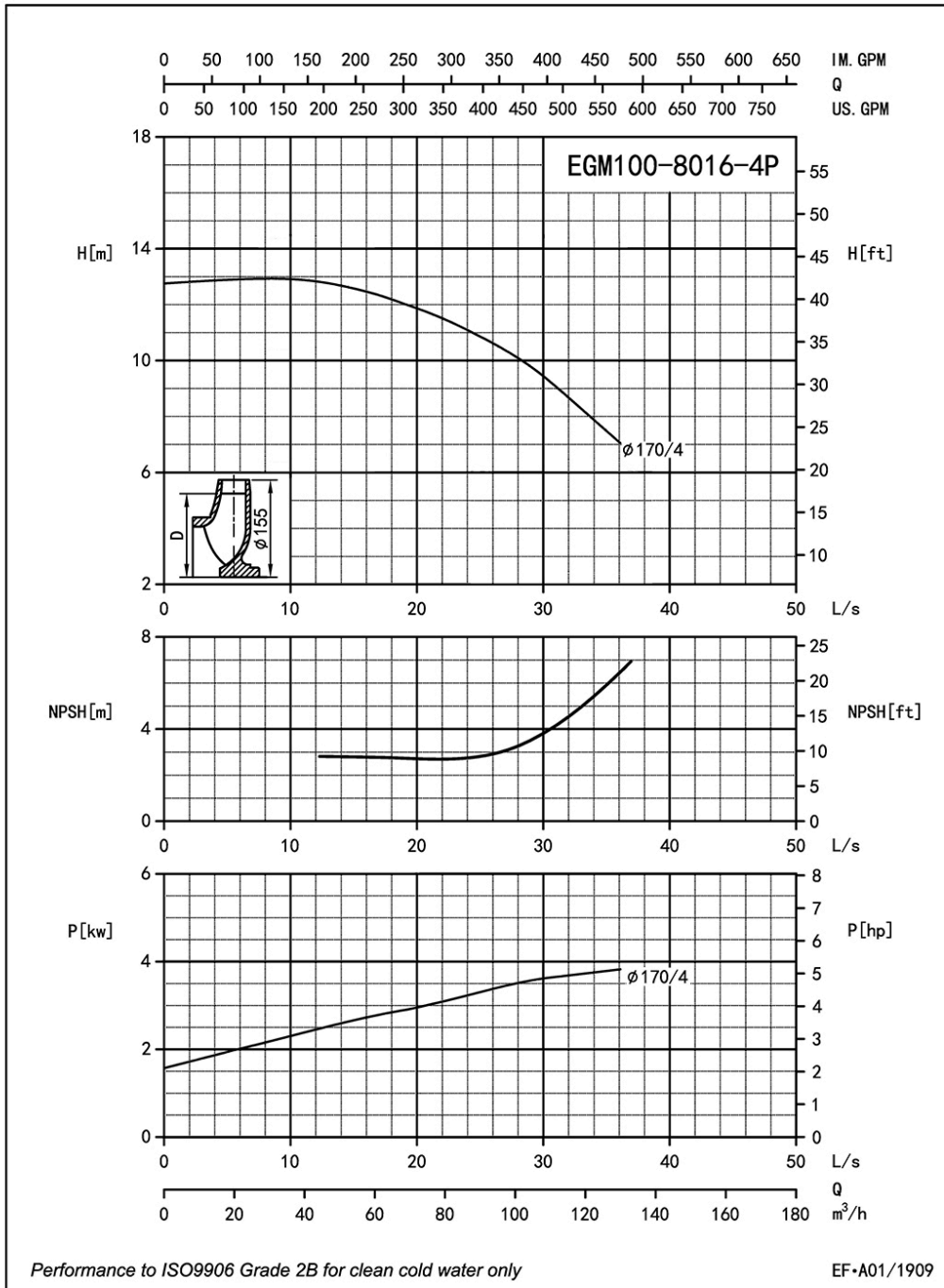
Revision no. _____

Page:
 2

Receiver	From

Company name
 Respons. Department
 Person in charge
 Phone number
 Fax no
 E-mail address

Model	Capacity			Head		Speed	Motor	Voltage	Phase	Impeller Diam.		Eff.	(NPSH)r
	m ³ /h	l/s	gpm	m	ft	r/min	hp	v		mm	inch	%	ft
EGM100-8016-04004	51.8	14.4	228.2	12.5	41	1710	5.5	230/460	3	170	6.7	69	9.2
	86.4	24	380.4	11.1	36		5.5					80	9.8
	103.7	28.8	456.5	9.7	32		5.5					77.5	14.4



Project	Project ID	Created by	Created on	Last update
---------	------------	------------	------------	-------------



Parts List

Vertical In-line Pump - EGM100-8016-04004

Revision no.

Page:

3

Receiver

From

 Company name
 Respons. Department
 Person in charge
 Phone number
 Fax no
 E-mail address

Parts List

1	Cassing	14	Screw
2	Impeller Nut	15	Screw Bolt
3	Flat Washer	16	Screw Nut
4	Spring Washer	17	Screw Bolt
5	Front-Wear Ring	18	1/4 Plug
6	Impeller	19	3/8 Plug
7	Seal Seat	20	Key
8	Mech Seal	21	Screw Nut
9	Casing Gasket	22	Motor
10	Casing Cover	23	Key
11	1/4 Plug	24	Screw
12	Adapter	25	Shaft
13	Guard		

Project

Project ID

Created by

Created on

Last update