

DATA SHEET



Three Phase Induction Motor - Squirrel Cage

Customer :					
Product line : Rolled Steel NEMA Premium Efficiency Three-Phase		Product code : 12802183			
		Catalog # : 02036ET3ER256TC-S			
Frame : 254/6TC	Output : 20 HP (15 kW)	Poles : 2	Frequency : 60 Hz	Rated voltage : 230/460 V	
Rated current : 45.4/22.7 A	L. R. Amperes : 300/150 A	LRC : 6.6x(Code G)	No load current : 13.8/6.88 A	Rated speed : 3515 rpm	
Slip : 2.36 %	Rated torque : 29.9 ft.lb	Locked rotor torque : 200 %	Breakdown torque : 290 %	Insulation class : F	
Service factor : 1.15	Moment of inertia (J) : 1.22 sq.ft.lb	Design : B	Locked rotor time : 21s (cold) 12s (hot)	Temperature rise : 80 K	
			Duty cycle : Cont.(S1)	Ambient temperature : -20°C to +40°C	
			Altitude : 1000 m.a.s.l.	Protection degree : IP55	
			Cooling method : IC411 - TEFC	Mounting : F-1	
			Rotation ¹ : Both (CW and CCW)	Noise level ² : 75.0 dB(A)	
			Starting method : Direct On Line	Approx. weight ³ : 231 lb	
Output	25%	50%	75%	100%	
Efficiency (%)	89.7	90.0	91.0	91.0	
Power Factor	0.55	0.81	0.88	0.91	
Foundation loads					
Max. traction : 300 lb					
Max. compression : 531 lb					
		<u>Drive end</u>	<u>Non drive end</u>		
Bearing type :	6309 Z C3		6208 Z C3		
Sealing :	V'Ring		Without Bearing Seal		
Lubrication interval :	15797 h		20000 h		
Lubricant amount :	13 g		8 g		
Lubricant type :	Mobil Polyrex EM				
Notes: USABLE @208V 50.2A SF 1.00 SFA 50.2A					
This revision replaces and cancel the previous one, which must be eliminated. (1) Looking the motor from the shaft end. (2) Measured at 1m and with tolerance of +3dB(A). (3) Approximate weight subject to changes after manufacturing process. (4) At 100% of full load.			These are average values based on tests with sinusoidal power supply, subject to the tolerances stipulated in NEMA MG-1.		
Rev.	Changes Summary		Performed	Checked	Date
Performed by					
Checked by					
Date	05/01/2024			Page	Revision
				1 / 1	

1 2 3 4 5 6

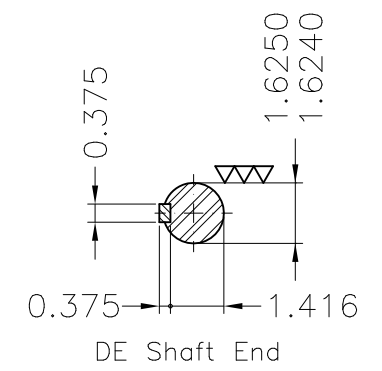
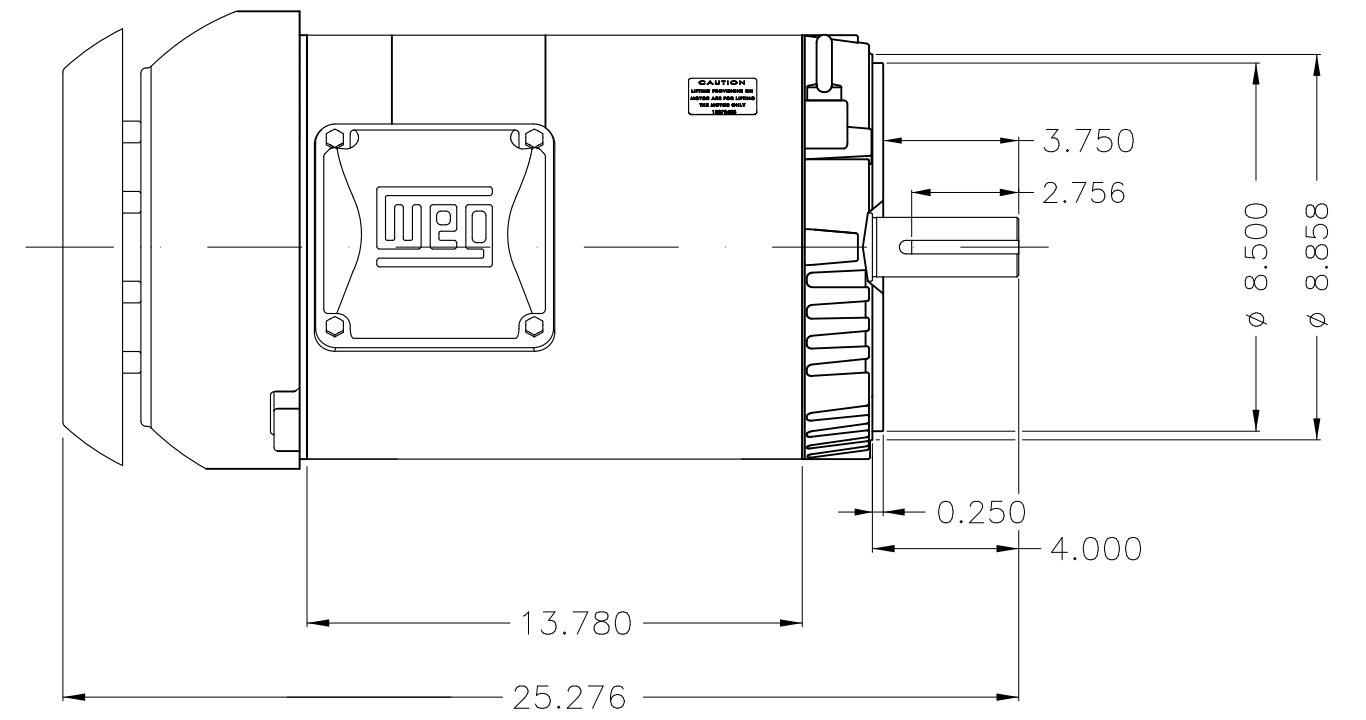
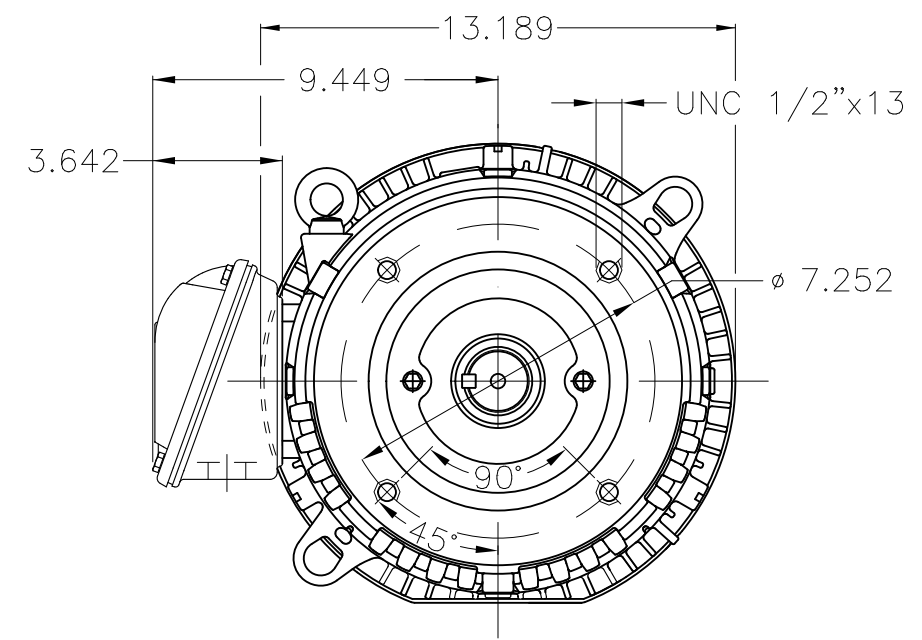
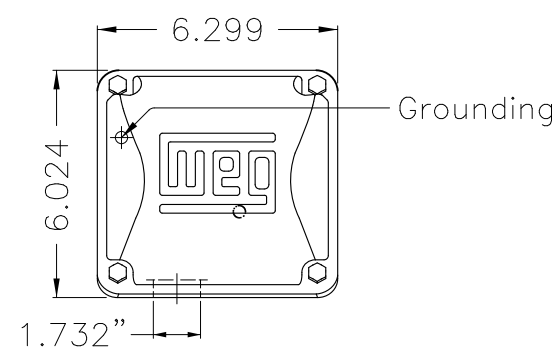
A

B

C

D

E



Dimensions in inches

Color Munsell N 1 matte black						
Painting plan 207N						
Mounting F-1/B14R(D)						
					HYBRISUSER	00
ECM	LOC	SUMMARY OF MODIFICATIONS		EXECUTED	CHECKED	RELEASED
EXECUTED	HYBRISUSER	THREE PH. MOTOR ROLLED STEEL NEMA PREM. EFF.		EXECUTED	CHECKED	RELEASED
CHECKED		FRAME 254/6TC IP55 TEFC				
RELEASED						
REL. DATE		WMO	Jaragua do Sul	Product Engineering	PREVIEW	
				SHEET		1 / 1

20 HP 02 Poles 60 Hz

A



**NEMA**
Premium3PT9
UL
US LISTED
FOR SAFE AREAC SP US
Energy Verified

MADE IN MEXICO

MAT: 12802183 CC029A

W01.TE0IC0X0N

MODEL 02036ET3ER256TC-S

05JAN2024 S/N:

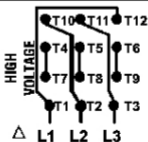
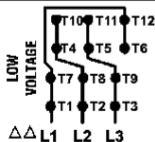
For 60Hz: Class I, Zone 2, IIC
Class I, Div.2, Gr. A,B,C,D - T3
Div 2 Inverter Duty (SF1.00)
CT 2:1/VT 1000:1

PH 3	Hz 60	HP 20
FR 254/6TC		kW 15
DUTY CONT.		V 230/460
ALT 1000 m.a.s.l		A 45.4/22.7
INS CL F ΔT 80K	IP55	SFA 52.2/26.1
AMB 40°C	DES B	SF 1.15
ENCL TEFC	CODE G	PF 0.91
		RPM 3515
		NEMA NOM. EFF 91.0%

ALTERNATE RATING: 15HP	50Hz	190-220/380-415V	SF1.00
40.8-35.8/20.4-19.0A	2925RPM	EFF 91.2%	{IE3} IEC 60034-1


For safe area-Inverter duty motor For 60Hz use on VPWM 1000:1 VT, 10:1 CT

DE 6309-Z-C3	ODE 6208-Z-C3	MOBIL POLYREX EM	15797h
--------------	---------------	------------------	--------



T1-BLU T2-WHT
T3-ORG T4-YEL
T5-BLK T6-GRY
T7-PNK T8-RED
T9-RED BRK
T10-CURRY
T11-GRN T12-VLT

INTERCHANGE ANY TWO LINE WIRES TO REVERSE THE ROTATION

 **WARNING:** Motor must be grounded in accordance with local and national electrical codes to prevent serious electrical shocks. Disconnect power source before servicing unit.



AVERTISSEMENT: Le moteur doit être mis à la terre conformément aux codes électriques locaux et nationaux afin d'éviter tout choc électrique grave. Déconnectez l'alimentation avant l'entretien de la machine.