

DATA SHEET



Three Phase Induction Motor - Squirrel Cage

Customer :					
Product line : Rolled Steel NEMA Premium Efficiency Three-Phase		Product code : 13041121			
		Catalog # : 01536ET3ER254TC-S			
Frame : 254/6TC Output : 15 HP (11 kW) Poles : 2 Frequency : 60 Hz Rated voltage : 230/460 V Rated current : 34.8/17.4 A L. R. Amperes : 237/118 A LRC : 6.8x(Code G) No load current : 13.0/6.50 A Rated speed : 3525 rpm Slip : 2.08 % Rated torque : 22.3 ft.lb Locked rotor torque : 200 % Breakdown torque : 300 % Insulation class : F Service factor : 1.15 Moment of inertia (J) : 0.8718 sq.ft.lb Design : B		Locked rotor time : 25s (cold) 14s (hot) Temperature rise : 80 K Duty cycle : Cont.(S1) Ambient temperature : -20°C to +40°C Altitude : 1000 m.a.s.l. Protection degree : IP55 Cooling method : IC411 - TEFC Mounting : F-1 Rotation ¹ : Both (CW and CCW) Noise level ² : 75.0 dB(A) Starting method : Direct On Line Approx. weight ³ : 201 lb			
Output	25%	50%	75%	100%	
Efficiency (%)	89.2	89.5	91.0	91.0	
Power Factor	0.47	0.73	0.83	0.87	
Foundation loads					
Max. traction : 221 lb					
Max. compression : 422 lb					
		<u>Drive end</u>	<u>Non drive end</u>		
Bearing type	:	6309 Z C3	6208 Z C3		
Sealing	:	V'Ring	Without Bearing Seal		
Lubrication interval	:	15797 h	20000 h		
Lubricant amount	:	13 g	8 g		
Lubricant type	:	Mobil Polyrex EM			
Notes: USABLE @208V 38.5A SF 1.00 SFA 38.5A					
This revision replaces and cancel the previous one, which must be eliminated. (1) Looking the motor from the shaft end. (2) Measured at 1m and with tolerance of +3dB(A). (3) Approximate weight subject to changes after manufacturing process. (4) At 100% of full load.			These are average values based on tests with sinusoidal power supply, subject to the tolerances stipulated in NEMA MG-1.		
Rev.	Changes Summary		Performed	Checked	Date
Performed by					
Checked by					
Date	05/01/2024			Page	Revision
				1 / 1	

1 2 3 4 5 6

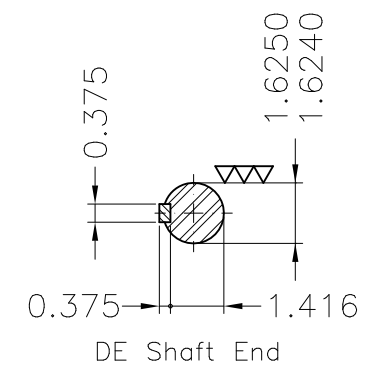
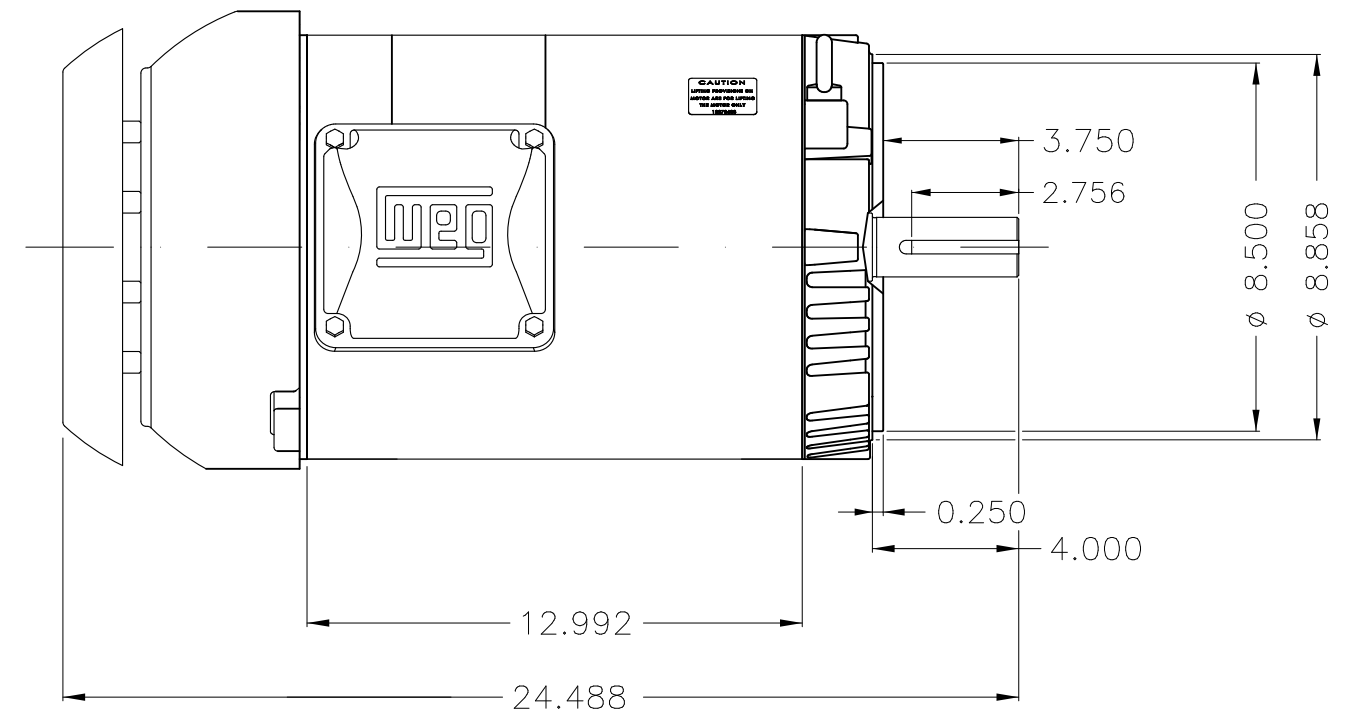
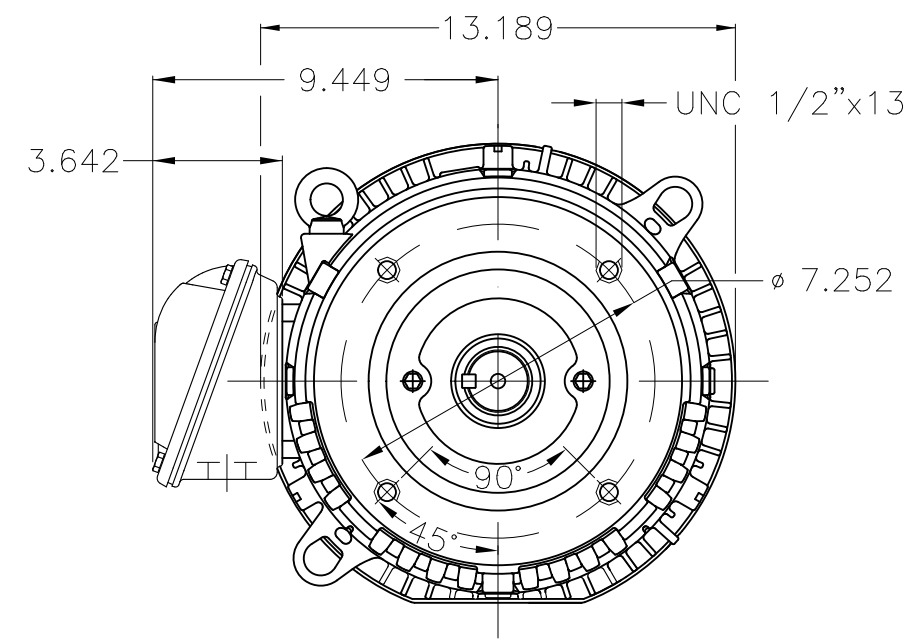
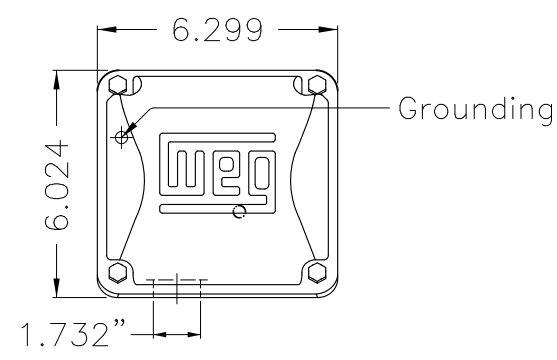
A

B

C

D

E



Dimensions in inches

Color Munsell N 1 matte black									
Painting plan 207N									
Mounting F-1/B14R(D)									
					HYBRISUSER	00			
ECM	LOC	SUMMARY OF MODIFICATIONS			EXECUTED	CHECKED	RELEASED	DATE	VER
EXECUTED	HYBRISUSER	THREE PH. MOTOR ROLLED STEEL NEMA PREM. EFF.				PREVIEW WDD 00			
CHECKED		FRAME 254/6TC IP55 TEFC							
RELEASED									
REL. DATE		WMO	Jaragua do Sul	Product Engineering	SHEET	1 / 1			

15 HP 02 Poles 60 Hz

A

**NEMA**
Premium3PT9
UL US LISTED
FOR SAFE AREA**SA**®
US
Energy Verified

MADE IN MEXICO

MAT: 13041121 CC029A

W01.TE0IC0X0N

MODEL 01536ET3ER254TC-S

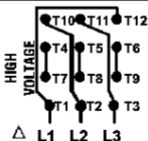
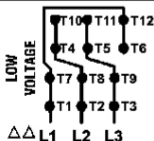
For 60Hz: Class I, Zone 2, IIC
Class I, Div.2, Gr. A,B,C,D - T3
Div 2 Inverter Duty (SF1.00)
CT 2:1/VT 1000:1

PH 3	Hz 60	HP 15
FR 254/6TC		kW 11
DUTY CONT.		V 230/460
ALT 1000 m.a.s.l		A 34.8/17.4
INS CL F ΔT 80K	IP55	SFA 40.0/20.0
AMB 40°C	DES B	SF 1.15
ENCL TEFC	CODE G	PF 0.87
		RPM 3525
		NEMA NOM. EFF 91.0%

ALTERNATE RATING: 12.5HP 50Hz 190-220/380-415V SF1.00
35.4-31.3/17.7-16.6A 2920RPM EFF 89.8% (IE2) IEC 60034-1


For safe area-Inverter duty motor For 60Hz use on VPWM 1000:1 VT, 10:1 CT

DE 6309-Z-C3 ODE 6208-Z-C3 MOBIL POLYREX EM 15797h



T1-BLU T2-WHT
T3-ORG T4-YEL
T5-BLK T6-GRY
T7-PNK T8-RED
T9-RED BRK
T10-CURRY
T11-GRN T12-VLT

INTERCHANGE ANY TWO LINE WIRES TO REVERSE THE ROTATION



WARNING: Motor must be grounded in accordance with local and national electrical codes to prevent serious electrical shocks. Disconnect power source before servicing unit.



AVERTISSEMENT: Le moteur doit être mis à la terre conformément aux codes électriques locaux et nationaux afin d'éviter tout choc électrique grave. Déconnectez l'alimentation avant l'entretien de la machine.

