

DATA SHEET



Three Phase Induction Motor - Squirrel Cage

Customer : _____

Product line : W22 NEMA Premium Efficiency Three-Phase
 Product code : 13472720
 Catalog # : 02536ET3ER284TSC-W22

Frame : 284TSC Output : 25 HP (18.5 kW) Poles : 2 Frequency : 60 Hz Rated voltage : 230/460 V Rated current : 57.5/28.8 A L. R. Amperes : 363/181 A LRC : 6.3x(Code G) No load current : 16.3/8.15 A Rated speed : 3545 rpm Slip : 1.53 % Rated torque : 37.0 ft.lb Locked rotor torque : 200 % Breakdown torque : 250 % Insulation class : F Service factor : 1.25 Moment of inertia (J) : 2.69 sq.ft.lb Design : B	Locked rotor time : 30s (cold) 17s (hot) Temperature rise : 80 K Duty cycle : Cont.(S1) Ambient temperature : -20°C to +40°C Altitude : 1000 m.a.s.l. Protection degree : IP55 Cooling method : IC411 - TEFC Mounting : W-6 Rotation ¹ : Both (CW and CCW) Noise level ² : 72.0 dB(A) Starting method : Direct On Line Approx. weight ³ : 366 lb
---	--

Output	25%	50%	75%	100%	Foundation loads
Efficiency (%)	90.8	91.0	91.7	91.7	Max. traction : 284 lb
Power Factor	0.54	0.78	0.85	0.88	Max. compression : 650 lb

Losses at normative operating points (speed;torque), in percentage of rated output power

P1 (0,9;1,0)	P2 (0,5;1,0)	P3 (0,25;1,0)	P4 (0,9;0,5)	P5 (0,5;0,5)	P6 (0,5;0,25)	P7 (0,25;0,25)
8.1	5.6	4.9	4.8	2.5	1.7	0.9

	<u>Drive end</u>	<u>Non drive end</u>
Bearing type :	6311 C3	6211 C3
Sealing :	V'Ring	V'Ring
Lubrication interval :	7000 h	8000 h
Lubricant amount :	18 g	11 g
Lubricant type :	Mobil Polyrex EM	

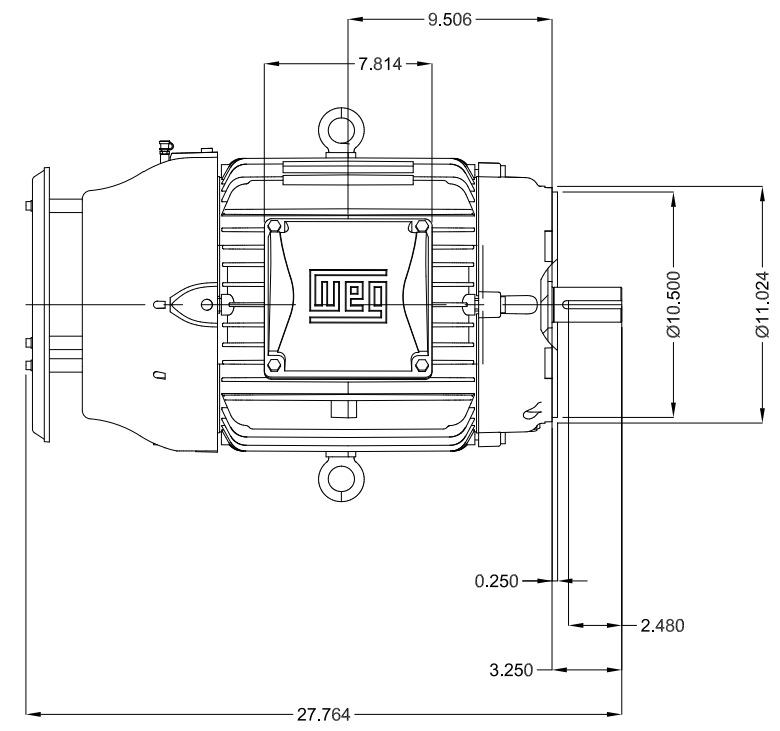
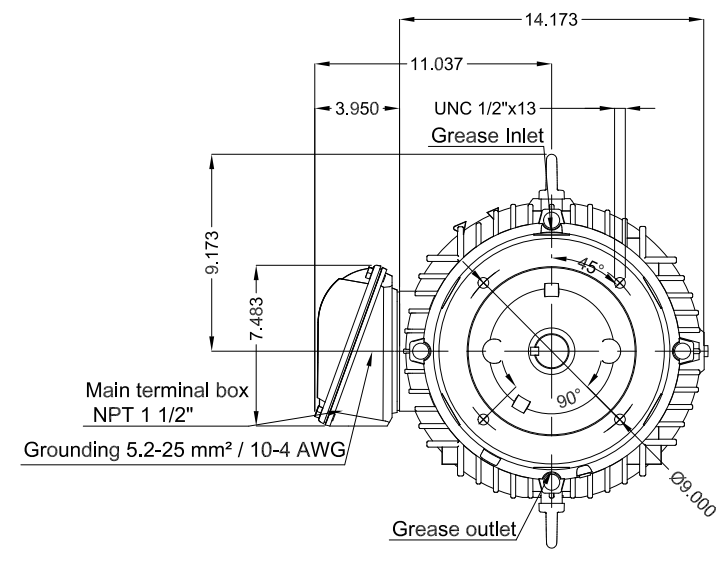
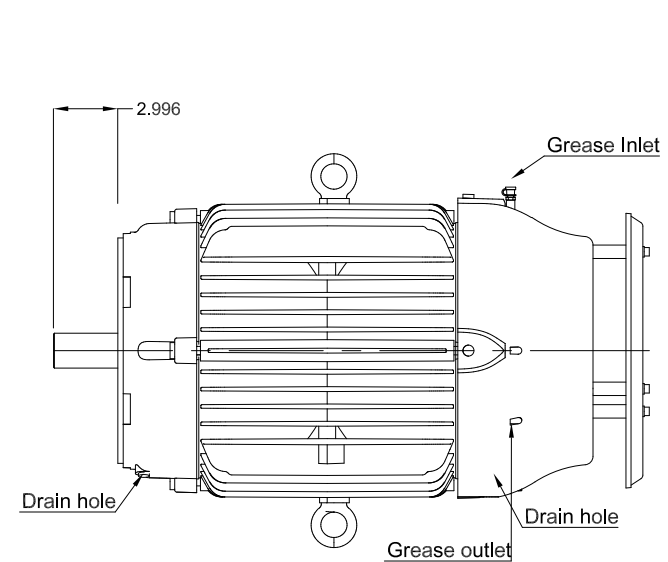
Notes:
 USABLE @208V 63.0A SF 1.10 SFA 69.3A

This revision replaces and cancel the previous one, which must be eliminated.

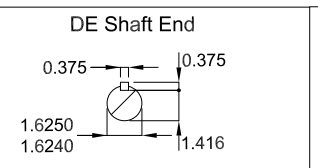
- (1) Looking the motor from the shaft end.
- (2) Measured at 1m and with tolerance of +3dB(A).
- (3) Approximate weight subject to changes after manufacturing process.
- (4) At 100% of full load.

These are average values based on tests with sinusoidal power supply, subject to the tolerances stipulated in NEMA MG-1.

Rev.	Changes Summary	Performed	Checked	Date
Performed by			Page 1 / 1	Revision
Checked by				
Date	05/01/2024			



25 HP 02 Poles 60 Hz										A	
ECM	LOC	SUMMARY OF MODIFICATIONS						HYBRISUSER			00
EXECUTED	HYBRISUSER	THREE PH. MOTOR W22 NEMA PREM. EFF.						EXECUTED	CHECKED	RELEASED	DATE
CHECKED		FRAME 284TSC IP55 TEFC									
RELEASED											
REL. DATE											
								PREVIEW			
								WDD	00		
								SHEET	/		



- Without vertical jackscrews
- Color RAL 5009
- Painting plan 203A
- Mounting NEMA W-6
- Mounting V18





FOR SAFE AREA
Mod. TE1BFOXON
CC029A



For use on 60Hz

Class I, Div 2, Gr A, B, C and D - T3

Class I, Zone 2, IIC - T3

Class II, Div 2, Gr F and G - T4

For use on PWM: Gr. A, B, C, D and F,
VT 1000:1, CT 20:1, 1.00SF - T3A

MODEL 02536ET3ER284TSC-W22

Inverter Duty Motor
Severe Duty

PH3 60Hz Fr. 284TSC 1000m.a.s.l. IP55 TEFC 366lb

V 230/460 A 57.5/28.8

HP 25 kW 18.5

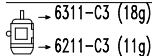
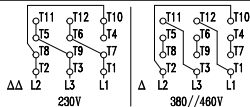
SF 1.25 SFA 71.9/36.0

RPM 3545 PF 0.88

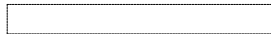
AMB 40°C INS cl. F DT80K NEMA NOM EFF 91.7%

DUTY CONT. DES B Code G

25HP 18.5kW 50Hz 380V 35.3A 2915RPM SF 1.00 EFF 89.5% (IE1)



MOBIL POLYREX EM (7000h)



MADE IN BRAZIL
13472720