



Technical Data

Submersible Pump - SP 400-14

Revision no.

Page:
1

Receiver

From

Company name
Respons. Department
Person in charge
Phone number
Fax no
E-mail address

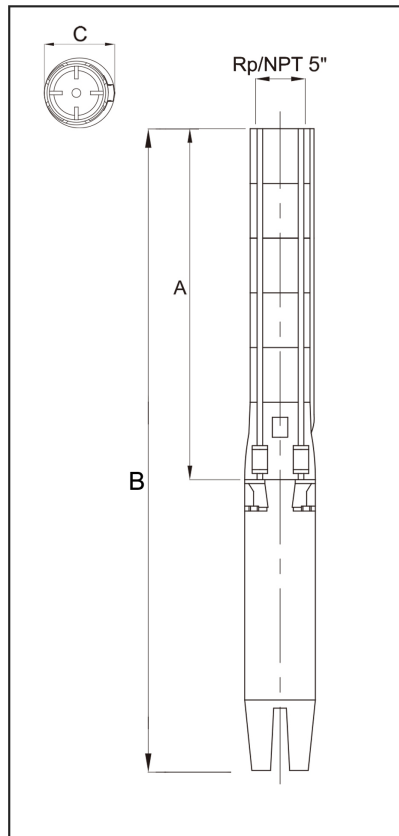


Brand: Gol Pumps
Model: SP 400-14

Weight (lb)		
Pump	Motor	Pump + Motor
161	552.2	713.2

Cable	
Length (Ft)	(mm ²)
14.8	(1x25)x3

Dimensions:



Outlet	Motor Dia.	Dimensions (inch)		
		A	B	C
NPT 5"	8"	90.4"	156.5"	7.9"

Project

Project ID

Created by

Created on

Last update



Performance Curves

Submersible Pump - SP 400-14

Revision no. _____

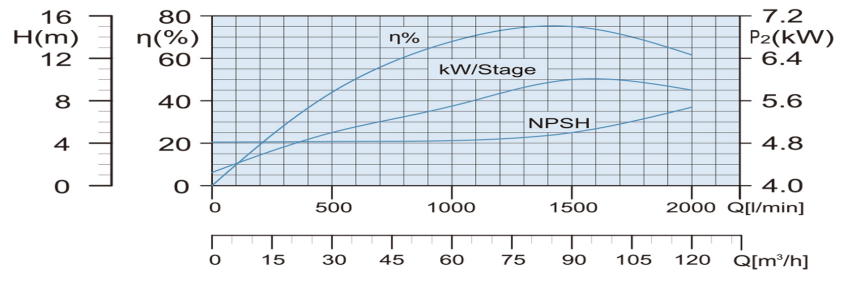
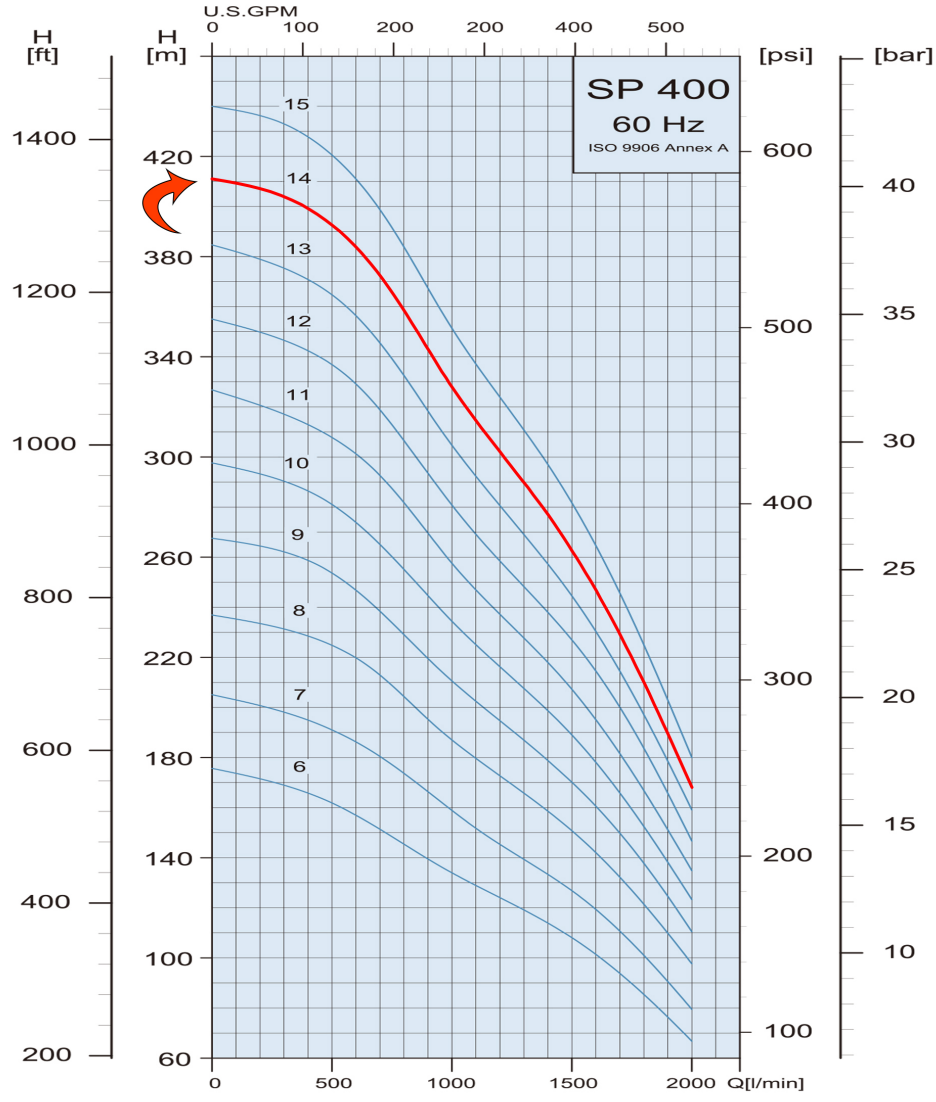
Page: 2

Receiver _____

From _____

Company name _____
 Respons. Department _____
 Person in charge _____
 Phone number _____
 Fax no _____
 E-mail address _____

Pump Model	Motor		Q Capacity 3450RPM												
	P2		G/Min	79.3	105.7	132.1	158.5	184.9	211.3	264.2	317	369.8	422.7	475.5	528.3
	kW	HP	Head in Feet	1326	1309	1289	1260	1224	1178	1076	990.8	908.8	810.4	689	551.2
SP 400-14	92	125													



Project	Project ID	Created by	Created on	Last update
---------	------------	------------	------------	-------------



Part List and Materials Submersible Pump - SP 400-14

Revision no.

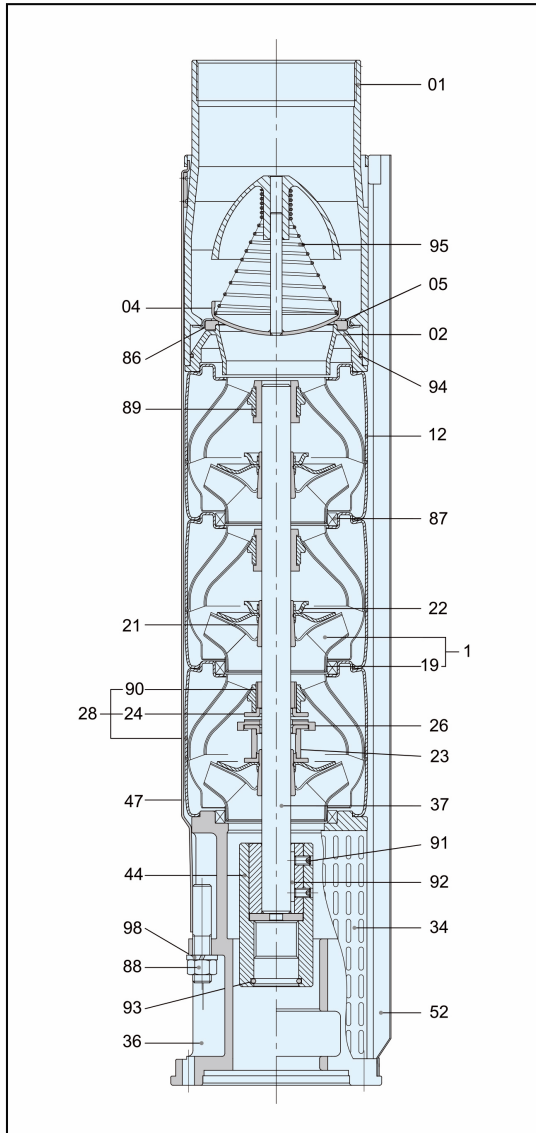
 Page:
3

Receiver

From

 Company name
 Respons. Department
 Person in charge
 Phone number
 Fax no
 E-mail address

Motor Model	P _{MAX}		Voltage	Phase	I _N	I _A	η (Eff.) %			cosφ (PF)			RPM	Thrust
	kW	HP	V	PH	A	A	2/4	3/4	4/4	2/4	3/4	4/4		N
8F125	92	125	460	Three	158	632	87.9	88.4	88.5	0.66	0.77	0.83	3500	70000



Pos.	Part Name	Materials
01	Discharge	AISI 316
02	Lower Valve Seat Retainer	AISI 316
04	Valve Cup	AISI 316
05	Upper Valve Seat Retainer	AISI 316
12	Diffuser	AISI 316
18	Impeller	AISI 316
19	Ring Of impeller	AISI 316
21	Split Cone	AISI 316
22	Split Cone Nut	AISI 316
23	Nut For Stop Ring	AISI 316
24	Stop Ring	AISI 316
26	Spacing Washer for Stop Ring	Carbon + Graphite + PTFE
28	Bottom Diffuser	AISI 316
34	Strainer	AISI 316
36	Suction Interconnector	AISI 316
37	Pump Shaft	AISI 316
44	Coupling	AISI 316
47	Strap	AISI 316
52	Cable Guard	AISI 316
86	Valve Seat	HNBR
87	Neck Ring	AISI 316 + HNBR
88	Nut	AISI 316
89	Bearing	HNBR
90	Bearing	AISI 316 + HNBR
91	Screw	AISI 316
92	Key	AISI 316
93	O-ring	HNBR
94	O-ring	HNBR
95	Spring	AISI 316
98	Spring Washer	AISI 316

Project

Project ID

Created by

Created on

Last update