

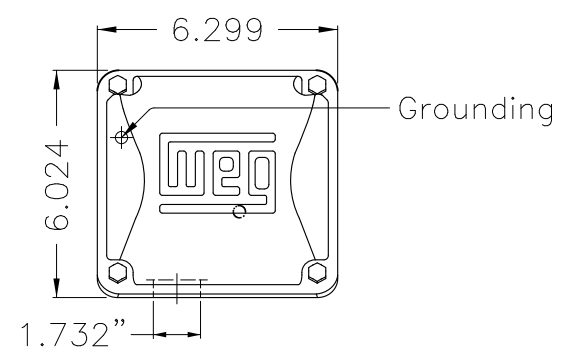
DATA SHEET



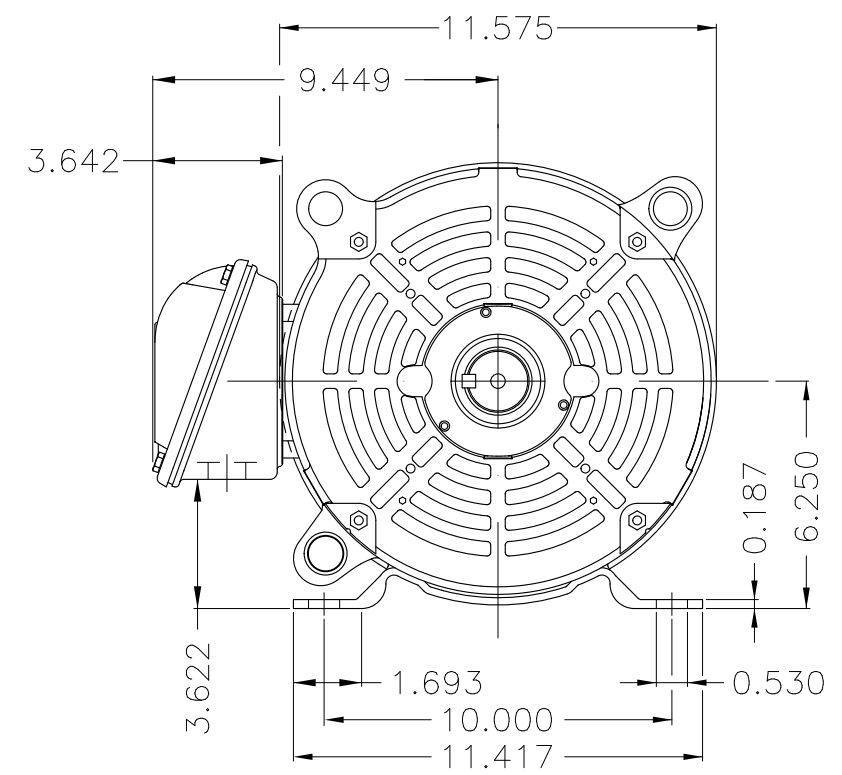
Three Phase Induction Motor - Squirrel Cage

Customer :					
Product line : Rolled Steel NEMA Premium Efficiency Three-Phase		Product code : 12636472			
		Catalog # : 02018OT3E256T-S			
Frame : 254/6T Output : 20 HP (15 kW) Poles : 4 Frequency : 60 Hz Rated voltage : 230/460 V Rated current : 50.0/25.0 A L. R. Amperes : 315/158 A LRC : 6.3x(Code G) No load current : 22.9/11.4 A Rated speed : 1770 rpm Slip : 1.67 % Rated torque : 59.3 ft.lb Locked rotor torque : 240 % Breakdown torque : 290 % Insulation class : F Service factor : 1.15 Moment of inertia (J) : 2.23 sq.ft.lb Design : B	Locked rotor time : 27s (cold) 15s (hot) Temperature rise : 80 K Duty cycle : Cont.(S1) Ambient temperature : -20°C to +40°C Altitude : 1000 m.a.s.l. Cooling method : IC01 - ODP Mounting : F-1 Rotation ¹ : Both (CW and CCW) Noise level ² : 64.0 dB(A) Starting method : Direct On Line Approx. weight ³ : 213 lb				
Output	50%	75%	100%	Foundation loads	
Efficiency (%)	92.4	92.4	93.0	Max. traction : 822 lb	
Power Factor	0.63	0.74	0.81	Max. compression : 1035 lb	
	<u>Drive end</u>		<u>Non drive end</u>		
Bearing type	:	6309 Z C3	6208 Z C3		
Sealing	:	Without Bearing Seal	Without Bearing Seal		
Lubrication interval	:	20000 h	20000 h		
Lubricant amount	:	13 g	8 g		
Lubricant type	:	Mobil Polyrex EM			
Notes USABLE @208V 55.3A SF 1.00 SFA 55.3A					
This revision replaces and cancel the previous one, which must be eliminated. (1) Looking the motor from the shaft end. (2) Measured at 1m and with tolerance of +3dB(A). (3) Approximate weight subject to changes after manufacturing process. (4) At 100% of full load.			These are average values based on tests with sinusoidal power supply, subject to the tolerances stipulated in NEMA MG-1.		
Rev.	Changes Summary		Performed	Checked	Date
Performed by					
Checked by				Page	Revision
Date	07/11/2023			1 / 1	

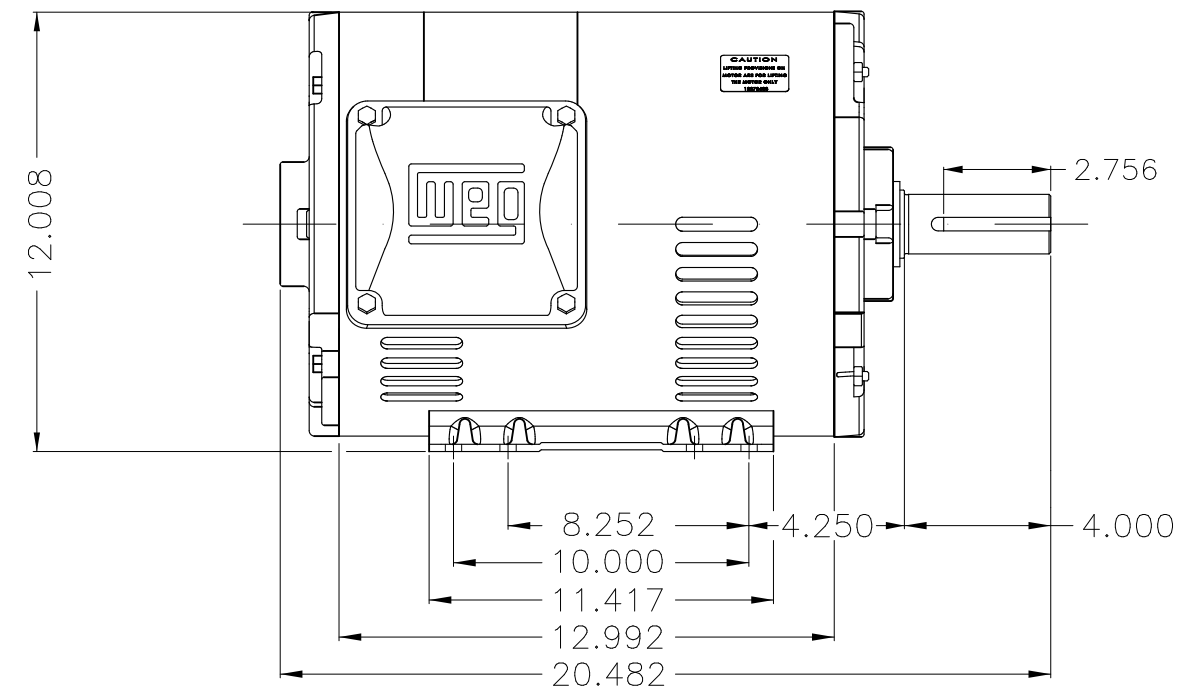
A



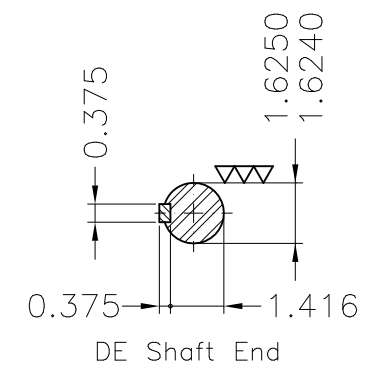
B



C



D



E

Color Munsell N 1 matte black									
Painting plan 207N									
Mounting F-1/B3R(D)									
					USERADMIN	00			
ECM	LOC	SUMMARY OF MODIFICATIONS			EXECUTED	CHECKED	RELEASED	DATE	VER
EXECUTED	USERADMIN	THREE PH. MOTOR ROLLED STEEL NEMA PREM. EFF.				PREVIEW WDD 00			
CHECKED		FRAME 254/6T IP21 ODP							
RELEASED									
REL. DATE		WMO	Jaragua do Sul	Product Engineering	SHEET	1 / 1			

20 HP 04 Poles 60 Hz

A

**NEMA**
Premium

3PT9

US LISTED



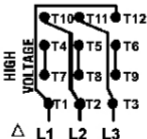
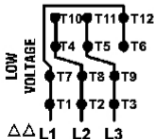
MADE IN MEXICO

MAT: 12636472 CC029A

W01.T00IC0X0N

MODEL 020180T3E256T-S

PH 3	Hz 60	HP 20
FR 254/6T		kW 15
DUTY CONT.		V 230/460
ALT 1000 m.a.s.l		A 50.0/25.0
INS CL F ΔT 80K		SFA 57.5/28.7
AMB 40°C	DES B	SF 1.15
ENCL ODP	CODE G	PF 0.81
		RPM 1770
		NEMA NOM. EFF 93.0%
ALTERNATE RATING: 20HP 50Hz 190-220/380-415V SF1.15		
59.8-53.0/29.9-28.1A 1480RPM EFF 89.7% (IE1) IEC 60034-1		
Inverter duty motor For 60Hz use on VPWM 1000:1 VT, 5:1 CT		
DE 6309-Z-C3	ODE 6208-Z-C3	MOBIL POLYREX EM 20000h



T1-BLU T2-WHT
 T3-ORG T4-YEL
 T5-BLK T6-GRY
 T7-PNK T8-RED
 T9-RED BRK
 T10-CURRY
 T11-GRN T12-VLT

INTERCHANGE ANY TWO LINE WIRES TO REVERSE THE ROTATION

WARNING: Motor must be grounded in accordance with local and national electrical codes to prevent serious electrical shocks. Disconnect power source before servicing unit.



AVERTISSEMENT: Le moteur doit être mis à la terre conformément aux codes électriques locaux et nationaux afin d'éviter tout choc électrique grave. Déconnectez l'alimentation avant l'entretien de la machine.

