

DATA SHEET



Three Phase Induction Motor - Squirrel Cage

Customer :					
Product line : Rolled Steel JM Pump NEMA Premium Efficiency Three-Phase		Product code : 12676956			
		Catalog # : 01536OT3E215JM-S			
Frame : 213/5JM	Output : 15 HP (11 kW)	Poles : 2	Frequency : 60 Hz	Rated voltage : 230/460 V	
Rated current : 34.4/17.2 A	L. R. Amperes : 234/117 A	LRC : 6.8x(Code G)	No load current : 12.3/6.17 A	Rated speed : 3535 rpm	
Slip : 1.81 %	Rated torque : 22.3 ft.lb	Locked rotor torque : 210 %	Breakdown torque : 280 %	Insulation class : F	
Service factor : 1.15	Moment of inertia (J) : 0.5512 sq.ft.lb	Design : B	Locked rotor time : 14s (cold) 8s (hot)	Temperature rise : 80 K	
			Duty cycle : Cont.(S1)	Ambient temperature : -20°C to +40°C	
			Altitude : 1000 m.a.s.l.	Cooling method : IC01 - ODP	
			Mounting : F-1	Rotation ¹ : Both (CW and CCW)	
			Noise level ² : 66.0 dB(A)	Starting method : Direct On Line	
			Approx. weight ³ : 141 lb		
Output	25%	50%	75%	100%	
Efficiency (%)	90.1	90.2	90.2	90.2	
Power Factor	0.50	0.77	0.86	0.89	
Foundation loads					
Max. traction				: 310 lb	
Max. compression				: 451 lb	
Bearing type :	<u>Drive end</u> 6209 ZZ		<u>Non drive end</u> 6206 ZZ		
Sealing :	Without Bearing Seal		Without Bearing Seal		
Lubrication interval :	-		-		
Lubricant amount :	-		-		
Lubricant type :	Mobil Polyrex EM				
Notes USABLE @208V 38.0A SF 1.00 SFA 38.0A					
This revision replaces and cancel the previous one, which must be eliminated. (1) Looking the motor from the shaft end. (2) Measured at 1m and with tolerance of +3dB(A). (3) Approximate weight subject to changes after manufacturing process. (4) At 100% of full load.			These are average values based on tests with sinusoidal power supply, subject to the tolerances stipulated in NEMA MG-1.		
Rev.	Changes Summary		Performed	Checked	Date
Performed by					
Checked by				Page	Revision
Date	06/11/2023			1 / 1	

1 2 3 4 5 6

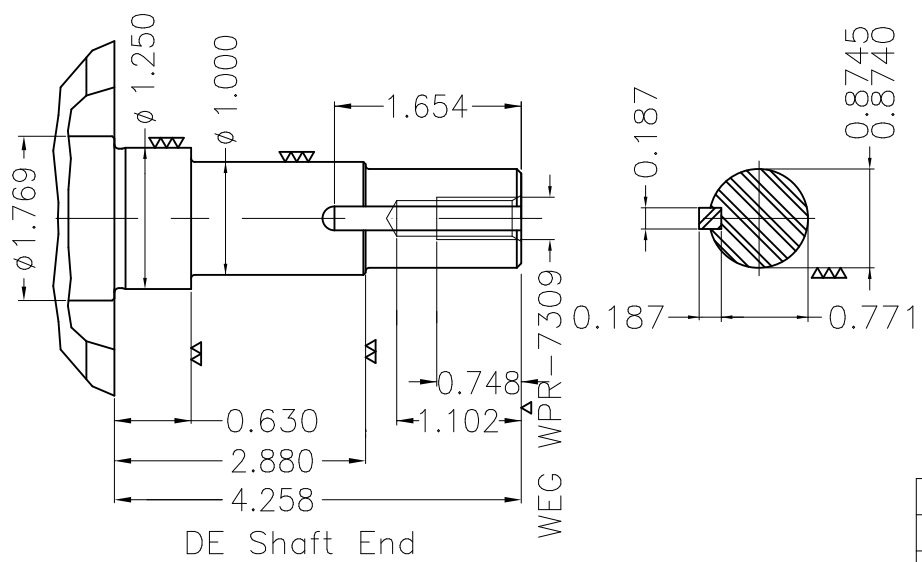
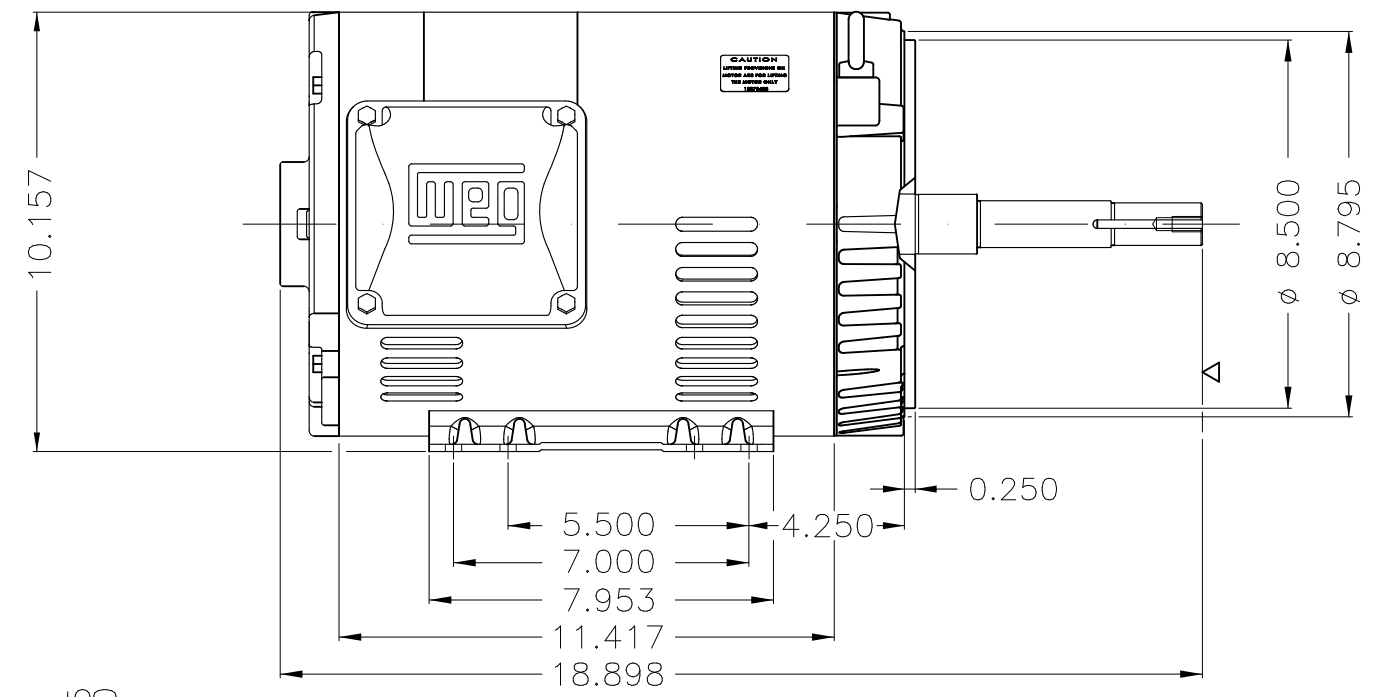
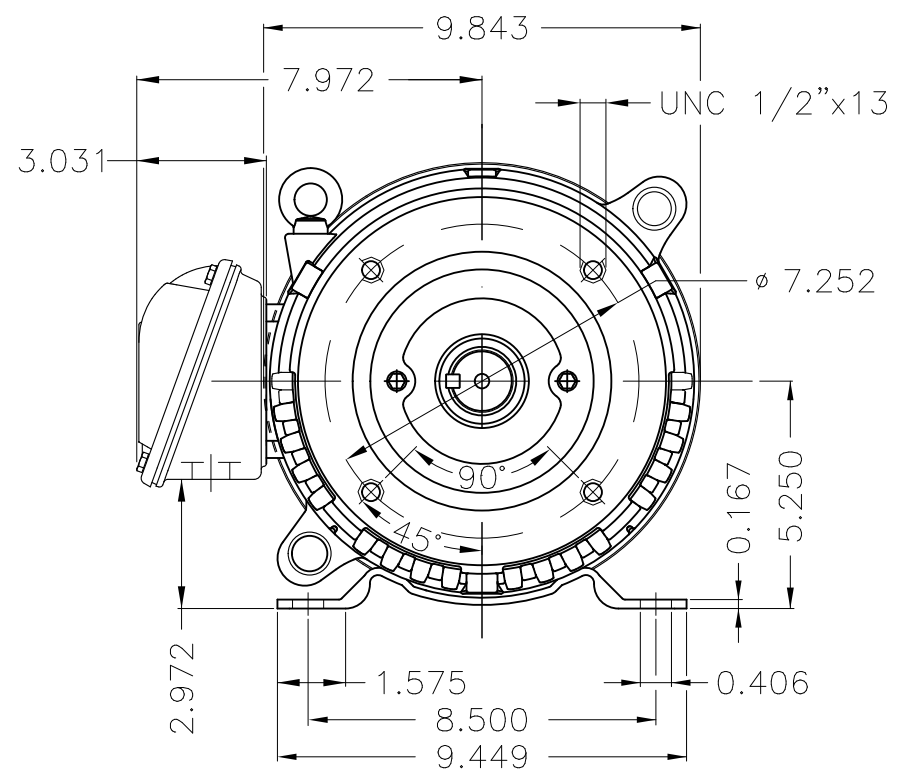
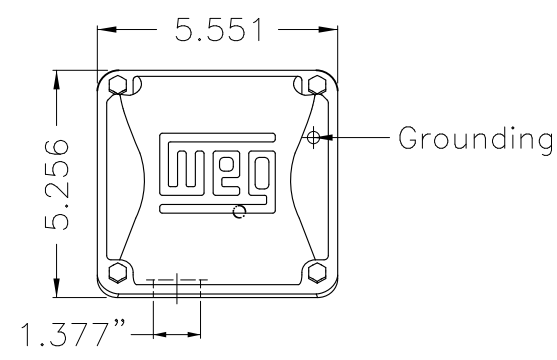
A

B

C

D

E



EUNC 3/8"-16 WEG WPR-7309

DE Shaft End

Color Munsell N 1 matte black									
Painting plan 207N									
Mounting F-1/B34R(D)									
					USERADMIN	00			
ECM	LOC	SUMMARY OF MODIFICATIONS			EXECUTED	CHECKED	RELEASED	DATE	VER
EXECUTED	USERADMIN	THREE PH. MOTOR ROLLED STEEL CLOSE COUPLED PUMP IN TYPE NEW PREM. EFF.							
CHECKED		FRAME 213/5JM IP21 ODP							
RELEASED									
REL. DATE		WMO	Jaragua do Sul	Product Engineering	WDD	00			
					SHEET	1 / 1			

15 HP 02 Poles 60 Hz

A



Dimensions in inches XME A3

**NEMA**
Premium

3PT9

US LISTED



MADE IN MEXICO

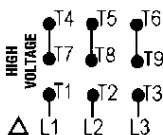
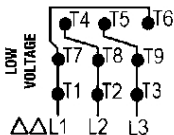
MAT: 12676956 CC029A

W01.T00IC0X0N

MODEL 015360T3E215JM-S

26OCT2023 S/N:

PH 3	Hz 60	HP 15
FR 213/5JM		kW 11
DUTY CONT.		V 230/460
ALT 1000 m.a.s.l		A 34.4/17.2
INS CL F ΔT 80K		SFA 39.6/19.8
AMB 40°C	DES B	SF 1.15
ENCL ODP	CODE G	PF 0.89
		RPM 3535
		NEMA NOM. EFF 90.2%
ALTERNATE RATING: 15HP 50Hz 190-220/380-415V SF1.00		
42.0-38.8/21.0-19.5A 2905RPM EFF 87.6% (IE1) IEC 60034-1		
Inverter duty motor For 60Hz use on VPWM 1000:1 VT, 3:1 CT		
DE 6209-ZZ	ODE 6206-ZZ	MOBIL POLYREX EM



T1-BLU T2-WHT
 T3-ORG T4-YEL
 T5-BLK T6-GRY
 T7-PNK T8-RED
 T9-RED BRK

INTERCHANGE ANY TWO LINE WIRES TO REVERSE THE ROTATION

WARNING: Motor must be grounded in accordance with local and national electrical codes to prevent serious electrical shocks. Disconnect power source before servicing unit.



AVERTISSEMENT: Le moteur doit être mis à la terre conformément aux codes électriques locaux et nationaux afin d'éviter tout choc électrique grave. Déconnectez l'alimentation avant l'entretien de la machine.