

# DATA SHEET



## Three Phase Induction Motor - Squirrel Cage

Customer :					
Product line : Rolled Steel NEMA Premium Efficiency Three-Phase		Product code : 12630272			
		Catalog # : 01018OT3E215T-S			
Frame	: 213/5T	Locked rotor time	: 25s (cold) 14s (hot)		
Output	: 10 HP (7.5 kW)	Temperature rise	: 80 K		
Poles	: 4	Duty cycle	: Cont.(S1)		
Frequency	: 60 Hz	Ambient temperature	: -20°C to +40°C		
Rated voltage	: 230/460 V	Altitude	: 1000 m.a.s.l.		
Rated current	: 24.8/12.4 A	Cooling method	: IC01 - ODP		
L. R. Amperes	: 174/86.8 A	Mounting	: F-1		
LRC	: 7.0x(Code H)	Rotation <sup>1</sup>	: Both (CW and CCW)		
No load current	: 12.0/5.99 A	Noise level <sup>2</sup>	: 59.0 dB(A)		
Rated speed	: 1770 rpm	Starting method	: Direct On Line		
Slip	: 1.67 %	Approx. weight <sup>3</sup>	: 121 lb		
Rated torque	: 29.7 ft.lb				
Locked rotor torque	: 250 %				
Breakdown torque	: 350 %				
Insulation class	: F				
Service factor	: 1.15				
Moment of inertia (J)	: 1.30 sq.ft.lb				
Design	: B				
Output	50%	75%	100%	Foundation loads	
Efficiency (%)	90.2	91.0	91.7	Max. traction : 544 lb	
Power Factor	0.64	0.77	0.83	Max. compression : 665 lb	
		<u>Drive end</u>	<u>Non drive end</u>		
Bearing type	:	6208 ZZ	6206 ZZ		
Sealing	:	Without Bearing Seal	Without Bearing Seal		
Lubrication interval	:	-	-		
Lubricant amount	:	-	-		
Lubricant type	:	Mobil Polyrex EM			
Notes USABLE @208V 27.4A SF 1.00 SFA 27.4A					
This revision replaces and cancel the previous one, which must be eliminated. (1) Looking the motor from the shaft end. (2) Measured at 1m and with tolerance of +3dB(A). (3) Approximate weight subject to changes after manufacturing process. (4) At 100% of full load.			These are average values based on tests with sinusoidal power supply, subject to the tolerances stipulated in NEMA MG-1.		
Rev.	Changes Summary		Performed	Checked	Date
Performed by					
Checked by				Page	Revision
Date	06/11/2023			1 / 1	

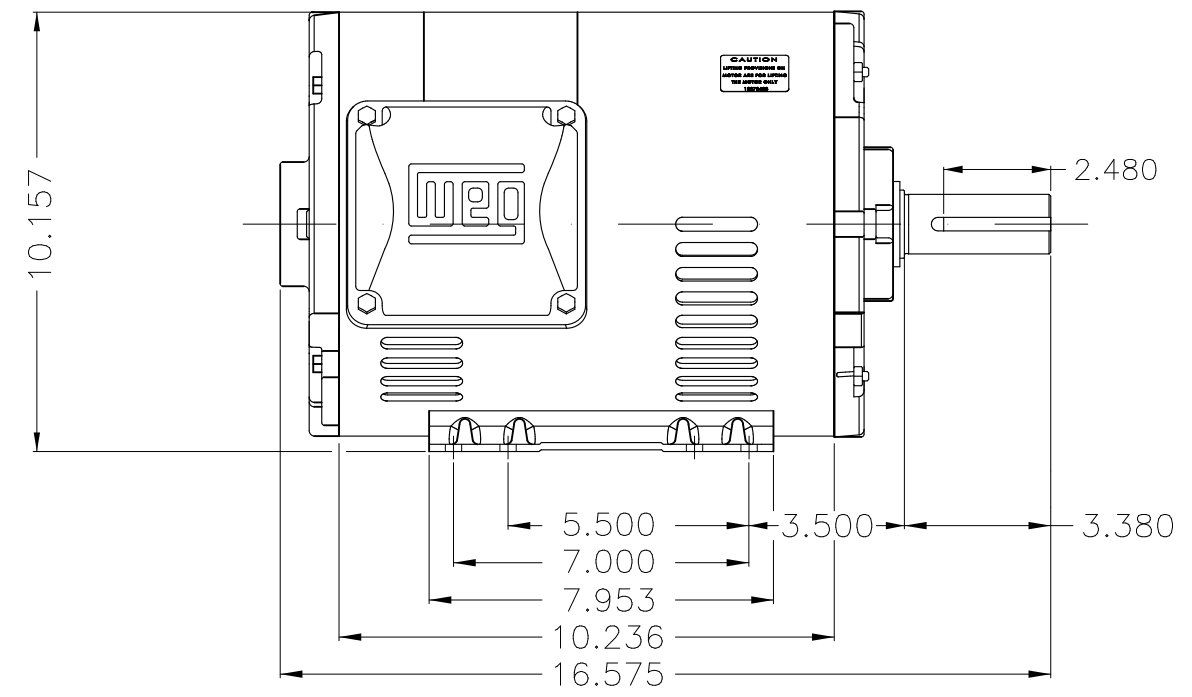
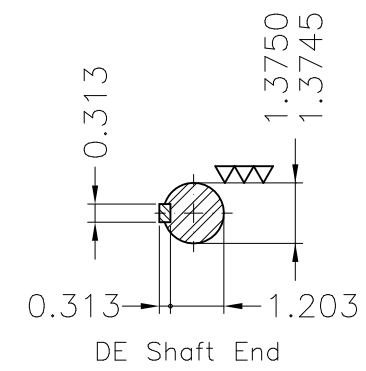
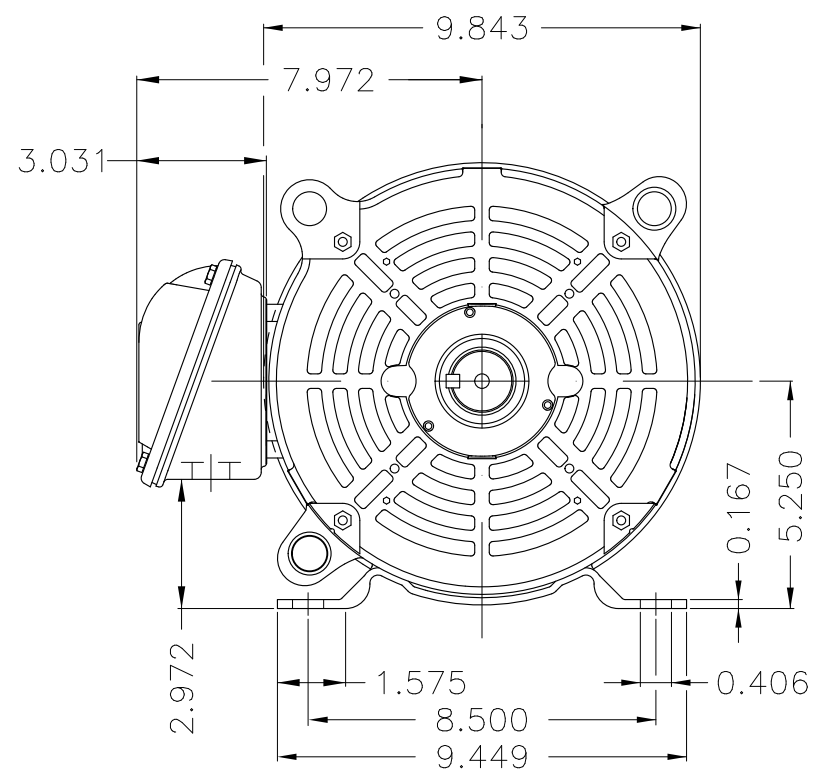
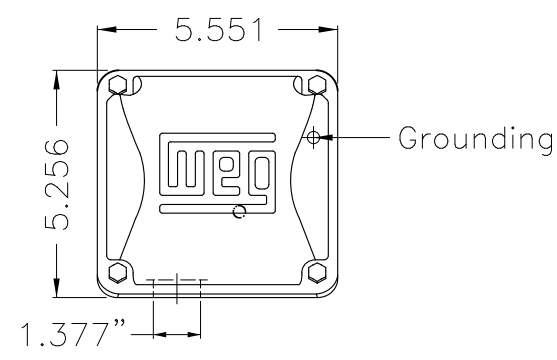
A

B

C

D

E



Color Munsell N 1 matte black  
 Painting plan 207N  
 Mounting F-1/B3R(D)

						USERADMIN								00		
ECM	LOC	SUMMARY OF MODIFICATIONS						EXECUTED	CHECKED	RELEASED	DATE	VER				
EXECUTED	USERADMIN	THREE PH. MOTOR ROLLED STEEL NEMA PREM. EFF.		FRAME 213/5T IP21 ODP		PREVIEW		WDD		00						
CHECKED																
RELEASED																
REL. DATE		WMO	Jaragua do Sul	Product Engineering	SHEET		1 / 1									

10 HP 04 Poles 60 Hz

A



MADE IN MEXICO

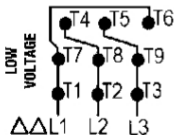
MAT: 12630272 CC029A

W01.T00IC0X0N

MODEL 010180T3E215T-S

08NOV2023 S/N:

PH 3	Hz 60	HP 10
FR 213/5T		KW 7.5
DUTY CONT.		V 230/460
ALT 1000 m.a.s.l		A 24.8/12.4
INS CL F ΔT 80K		SFA 28.5/14.3
AMB 40°C	DES B	SF 1.15
ENCL ODP	CODE H	PF 0.83
		RPM 1770
		NEMA NOM. EFF 91.7%
ALTERNATE RATING: 10HP 50Hz 190-220/380-415V SF1.15		
29.8-28.4/14.9-14.0A 1480RPM EFF 88.1% (IE1) IEC 60034-1		
Inverter duty motor For 60Hz use on VPWM 1000:1 VT, 5:1 CT		
DE 6208-ZZ	ODE 6206-ZZ	MOBIL POLYREX EM



T1-BLU T2-WHT  
 T3-ORG T4-YEL  
 T5-BLK T6-GRY  
 T7-PNK T8-RED  
 T9-RED BRK

INTERCHANGE ANY TWO LINE WIRES TO REVERSE THE ROTATION



WARNING: Motor must be grounded in accordance with local and national electrical codes to prevent serious electrical shocks. Disconnect power source before servicing unit.



AVERTISSEMENT: Le moteur doit être mis à la terre conformément aux codes électriques locaux et nationaux afin d'éviter tout choc électrique grave. Déconnectez l'alimentation avant l'entretien de la machine.