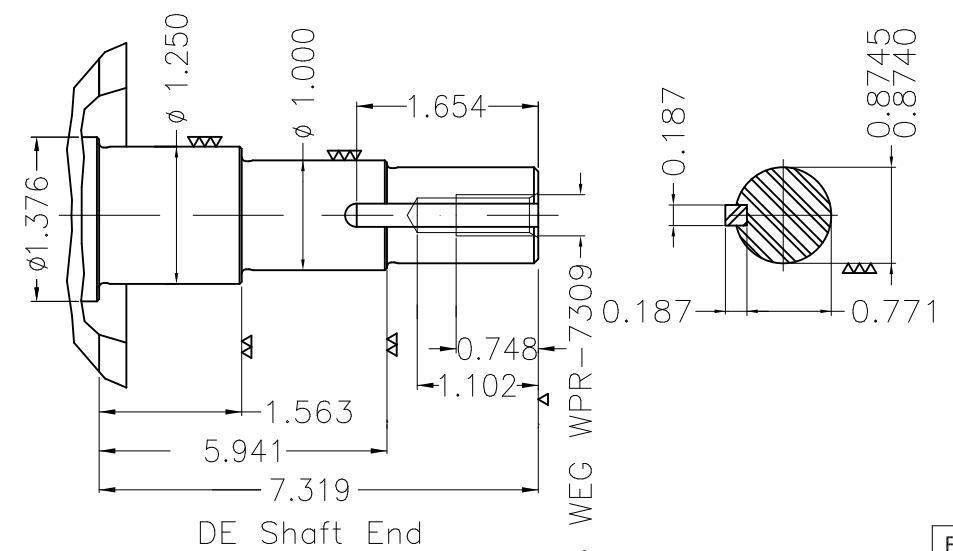
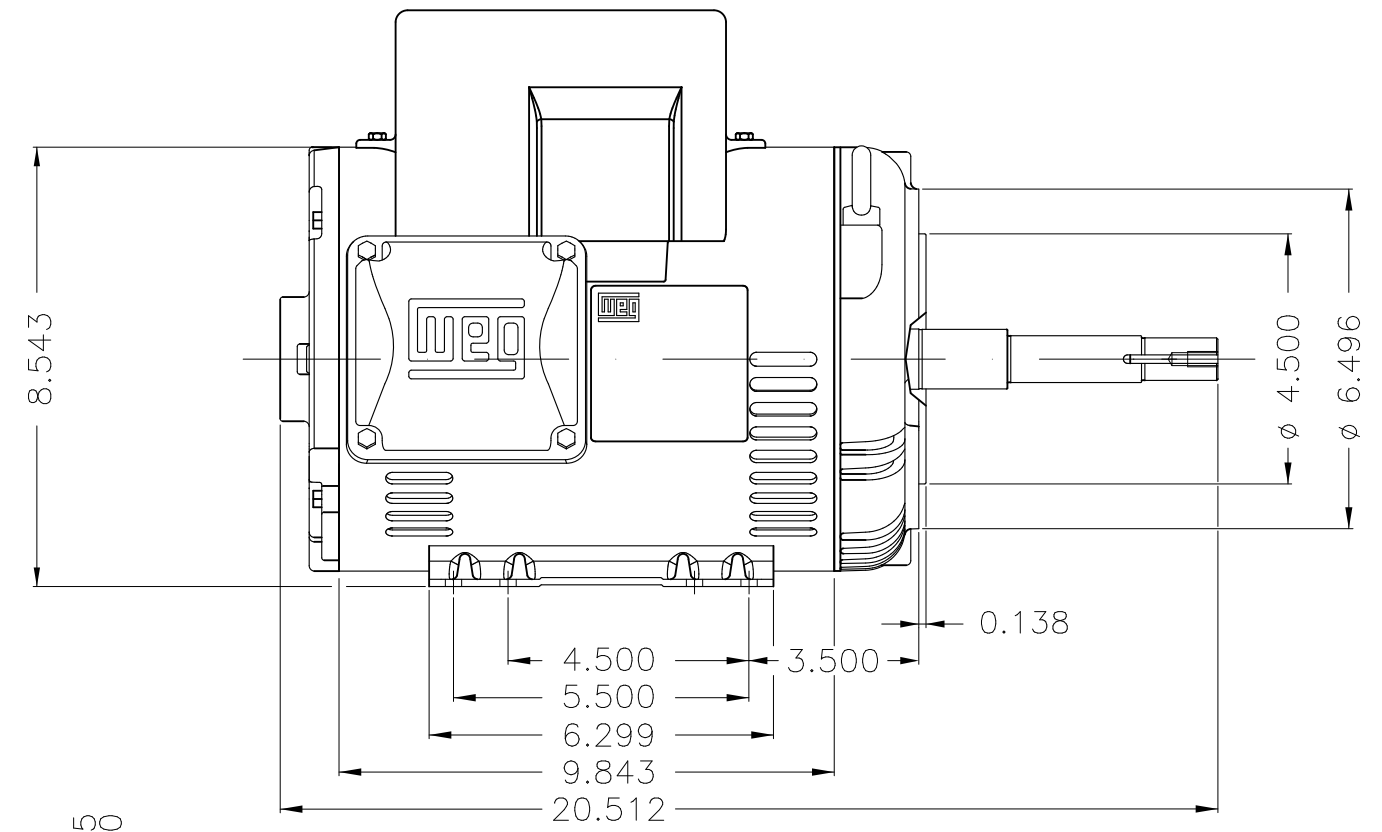
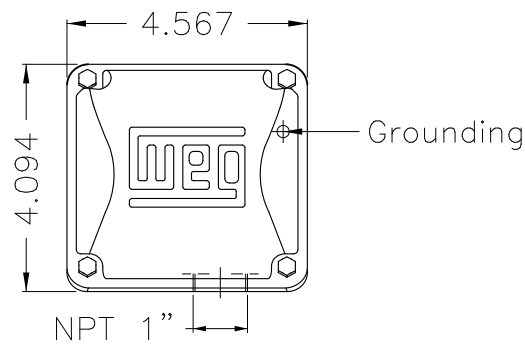
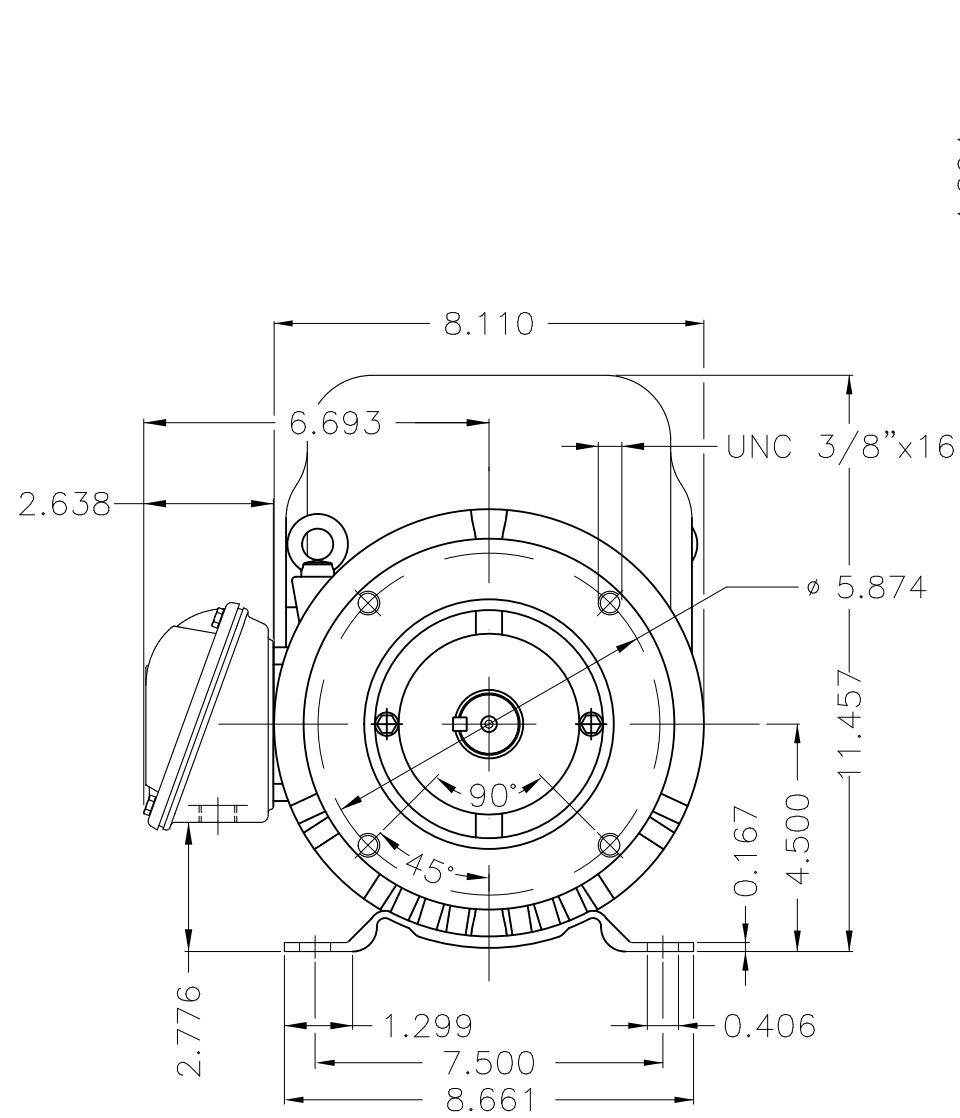


DATA SHEET



Single Phase Induction Motor - Squirrel Cage

Customer :					
Product line : Rolled Steel JP Pump Single-Phase		Product code : 15195979		Catalog # : 00536OS1B184JP-S	
Frame : 182/4JP	Output : 5 HP (3.7 kW)	Poles : 2	Frequency : 60 Hz	Rated voltage : 115/208-230 V	
Rated current : 39.5/22.0-19.7 A	L. R. Amperes : 265/147-132 A	LRC : 6.7x(Code G)	No load current : 10.4/3.00-5.20 A	Rated speed : 3500 rpm	
Slip : 2.78 %	Rated torque : 7.50 ft.lb	Locked rotor torque : 175 %	Breakdown torque : 250 %	Insulation class : F	
Service factor : 1.15	Moment of inertia (J) : 0.1566 sq.ft.lb	Design : L	Locked rotor time : 16s (cold) 9s (hot)	Temperature rise : 80 K	
			Duty cycle : Cont.(S1)	Ambient temperature : -20°C to +40°C	
			Altitude : 1000 m.a.s.l.	Cooling method : IC01 - ODP	
			Mounting : F-1	Rotation ¹ : Both (CW and CCW)	
			Starting method : Direct On Line	Approx. weight ⁹ : 83.8 lb	
Output	25%	50%	75%	100%	
Efficiency (%)	0.000	77.2	81.8	84.0	
Power Factor	0.00	0.92	0.96	0.97	
Foundation loads					
Max. traction : 78 lb					
Max. compression : 161 lb					
		<u>Drive end</u>		<u>Non drive end</u>	
Bearing type :	6207 ZZ		6205 ZZ		
Sealing :	Without Bearing Seal		Without Bearing Seal		
Lubrication interval :	0 h		0 h		
Lubricant amount :	0 g		0 g		
Lubricant type :	Mobil Polyrex EM				
Notes					
This revision replaces and cancel the previous one, which must be eliminated. (1) Looking the motor from the shaft end. (2) Measured at 1m and with tolerance of +3dB(A). (3) Approximate weight subject to changes after manufacturing process. (4) At 100% of full load.			These are average values based on tests with sinusoidal power supply, subject to the tolerances stipulated in NEMA MG-1.		
Rev.	Changes Summary		Performed	Checked	Date
Performed by					
Checked by					
Date	06/11/2023			Page	Revision
				1 / 1	



EUNC 3/8" - 16 WEG WPR-7309

DE Shaft End

Packing - cardboard box					
Mounting F-1/B34R(D)					
				USERADMIN	00
ECM	LOC	SUMMARY OF MODIFICATIONS	EXECUTED	CHECKED	RELEASED
EXECUTED	USERADMIN	SINGLE PH. MOTOR ROLLED STEEL CLOSE COUPLED PUMP IS TYPE FRAME 182/4JP IP21 ODP			
CHECKED					
RELEASED					
REL. DATE	WMO	Jaragua do Sul	Product Engineering	WDD	00
			SHEET	1 / 1	

5 HP 02 Poles 60 Hz

WEG's property. Forbidden reproduction without previous authorization.



Dimensions in inches XME A3



MADE IN MEXICO

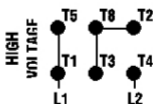
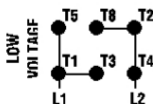
MAT: 15195979

W01.M00IC0X0X

MODEL 005360S1B184JP-S

PH 1	Hz 60	HP 5.0
FR 182/4JP		KW 3.7
DUTY CONT.		V 115/230
ALT 1000 m.a.s.l		A 39.5/19.7
INS CL F ΔT 80K		SFA 46.3/23.2
AMB 40°C	DES L	SF 1.15
ENCL ODP	CODE G	PF 0.97
		RPM 3500
		NEMA
		NOM. EFF 84.0%
Electric Motor		
DE 6207-ZZ	ODE 6205-ZZ	MOBIL POLYREX EM

REVERSE ROTATION INVERT T5 BY T8



T1 - BLU
 T2 - WHT
 T3 - ORG
 T4 - YEL
 T5 - BLK
 T8 - RED



WARNING: Motor must be grounded in accordance with local and national electrical codes to prevent serious electrical shocks. Disconnect power source before servicing unit.



AVERTISSEMENT: Le moteur doit être mis à la terre conformément aux codes électriques locaux et nationaux afin d'éviter tout choc électrique grave. Déconnectez l'alimentation avant l'entretien de la machine.