

DATA SHEET

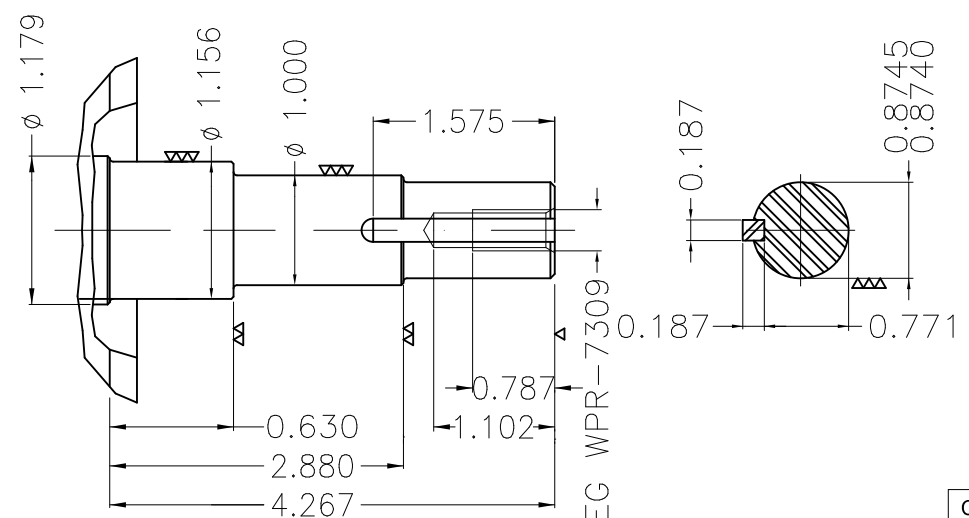
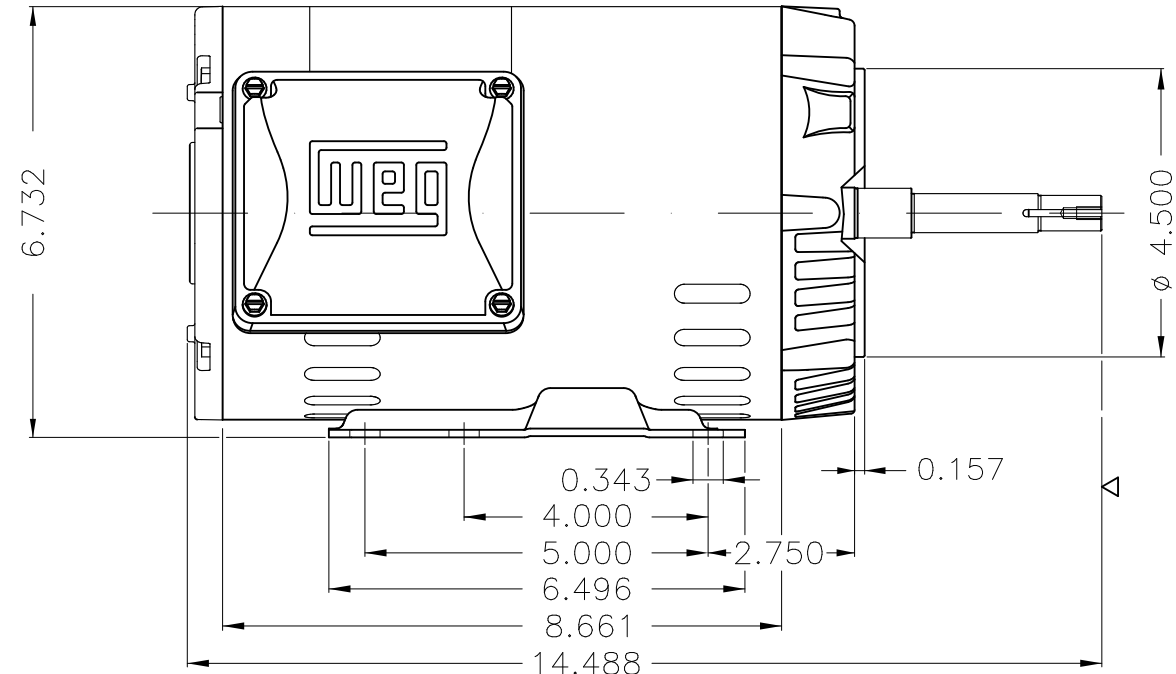
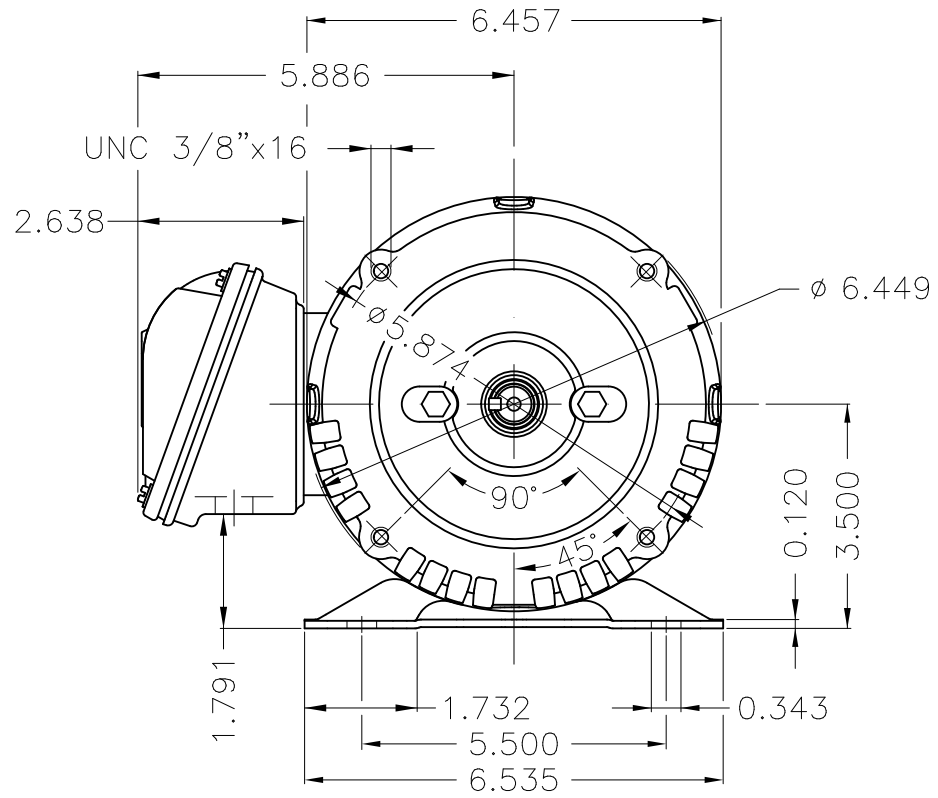
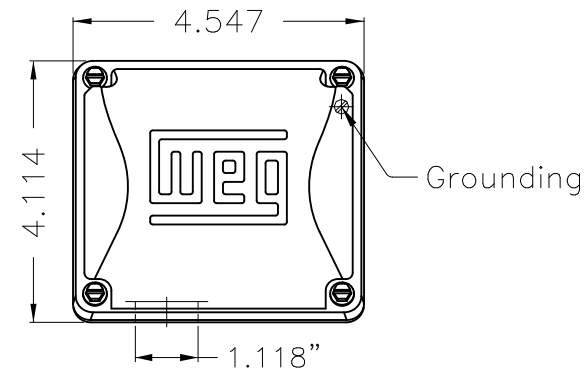


Three Phase Induction Motor - Squirrel Cage

Customer :					
Product line : Rolled Steel JM Pump NEMA Premium Efficiency Three-Phase		Product code : 12676946			
		Catalog # : 00336OT3E145JM-S			
Frame : 143/5JM Output : 3 HP (2.2 kW) Poles : 2 Frequency : 60 Hz Rated voltage : 230/460 V Rated current : 7.18/3.59 A L. R. Amperes : 57.4/28.7 A LRC : 8.0x(Code J) No load current : 2.60/1.30 A Rated speed : 3480 rpm Slip : 3.33 % Rated torque : 4.53 ft.lb Locked rotor torque : 229 % Breakdown torque : 300 % Insulation class : F Service factor : 1.15 Moment of inertia (J) : 0.1279 sq.ft.lb Design : B		Locked rotor time : 16s (cold) 9s (hot) Temperature rise : 80 K Duty cycle : Cont.(S1) Ambient temperature : -20°C to +40°C Altitude : 1000 m.a.s.l. Cooling method : IC01 - ODP Mounting : F-1 Rotation ¹ : Both (CW and CCW) Noise level ² : 62.0 dB(A) Starting method : Direct On Line Approx. weight ³ : 42.0 lb			
Output	25%	50%	75%	100%	
Efficiency (%)	83.7	84.0	85.5	85.5	
Power Factor	0.50	0.76	0.86	0.90	
Foundation loads					
Max. traction : 108 lb					
Max. compression : 150 lb					
Bearing type :		<u>Drive end</u> 6206 ZZ	<u>Non drive end</u> 6203 ZZ		
Sealing :		Without Bearing Seal	Without Bearing Seal		
Lubrication interval :		-	-		
Lubricant amount :		-	-		
Lubricant type :		Mobil Polyrex EM			
Notes USABLE @208V 7.94A SF 1.00 SFA 7.94A					
This revision replaces and cancel the previous one, which must be eliminated. (1) Looking the motor from the shaft end. (2) Measured at 1m and with tolerance of +3dB(A). (3) Approximate weight subject to changes after manufacturing process. (4) At 100% of full load.			These are average values based on tests with sinusoidal power supply, subject to the tolerances stipulated in NEMA MG-1.		
Rev.	Changes Summary		Performed	Checked	Date
Performed by					
Checked by				Page	Revision
Date	03/11/2023			1 / 1	

1 2 3 4 5 6

A
B
C
D
E



EUNC 3/8"-16 WEG WPR-7309

DE Shaft End

Color Munsell N 1 matte black									
Painting plan 207N									
Mounting F-1/B34R(D)									
					USERADMIN	00			
ECM	LOC	SUMMARY OF MODIFICATIONS			EXECUTED	CHECKED	RELEASED	DATE	VER
EXECUTED	USERADMIN	THREE PH. MOTOR ROLLED STEEL CLOSE COUPLED PUMP IN TYPE NEW PREM. EFF.							
CHECKED		FRAME 143/5JM IP21 ODP							
RELEASED									
REL. DATE		WMO	Jaragua do Sul	Product Engineering	WDD	00			
					SHEET	1 / 1			

3 HP 02 Poles 60 Hz



Dimensions in inches XME A3



MADE IN MEXICO

MAT: 12676946 CC029A

W01.T00IC0X0N

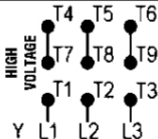
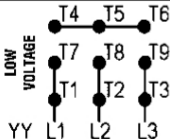
MODEL 003360T3E145JM-S

PH 3	Hz 60	HP 3.0
FR 143/5JM		KW 2.2
DUTY CONT.		V 230/460
ALT 1000 m.a.s.l		A 7.18/3.59
INS CL F ΔT 80K		SFA 8.26/4.13
AMB 40°C	DES B	SF 1.15
ENCL ODP	CODE J	PF 0.90
		RPM 3480
		NEMA NOM. EFF 85.5%

ALTERNATE RATING: 3.0HP 50Hz 190-220/380-415V SF1.00
 8.78-7.56/4.39-4.01A 2825RPM EFF 81.8% (IE1) IEC 60034-1

Inverter duty motor For 60Hz use on VPWM 1000:1 VT, 3:1 CT

DE 6206-ZZ ODE 6203-ZZ MOBIL POLYREX EM



T1-BLU T2-WHT
 T3-ORG T4-YEL
 T5-BLK T6-GRY
 T7-PNK T8-RED
 T9-RED BRK

INTERCHANGE ANY TWO LINE WIRES TO REVERSE THE ROTATION

WARNING: Motor must be grounded in accordance with local and national electrical codes to prevent serious electrical shocks. Disconnect power source before servicing unit.



AVERTISSEMENT: Le moteur doit être mis à la terre conformément aux codes électriques locaux et nationaux afin d'éviter tout choc électrique grave. Déconnectez l'alimentation avant l'entretien de la machine.