

DATA SHEET



Single Phase Induction Motor - Squirrel Cage

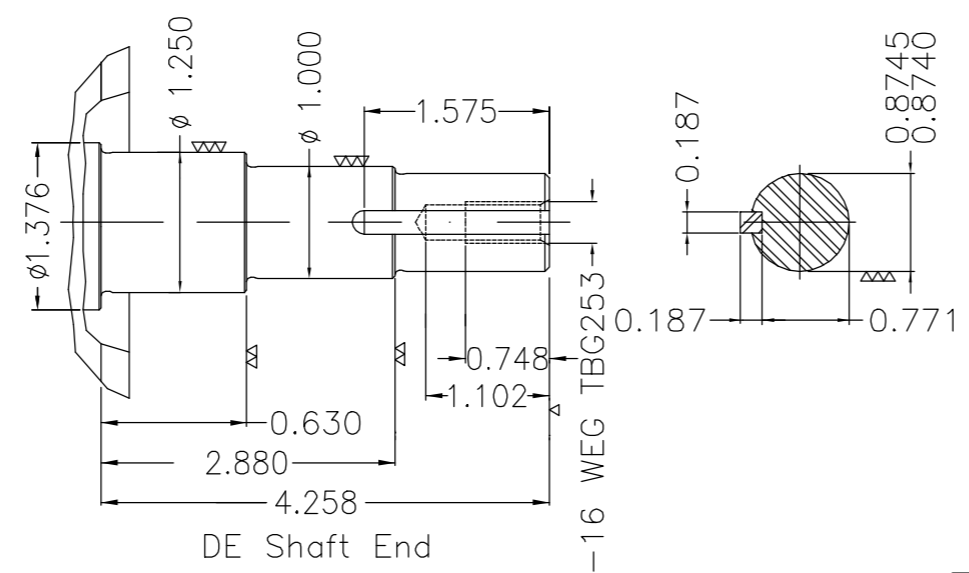
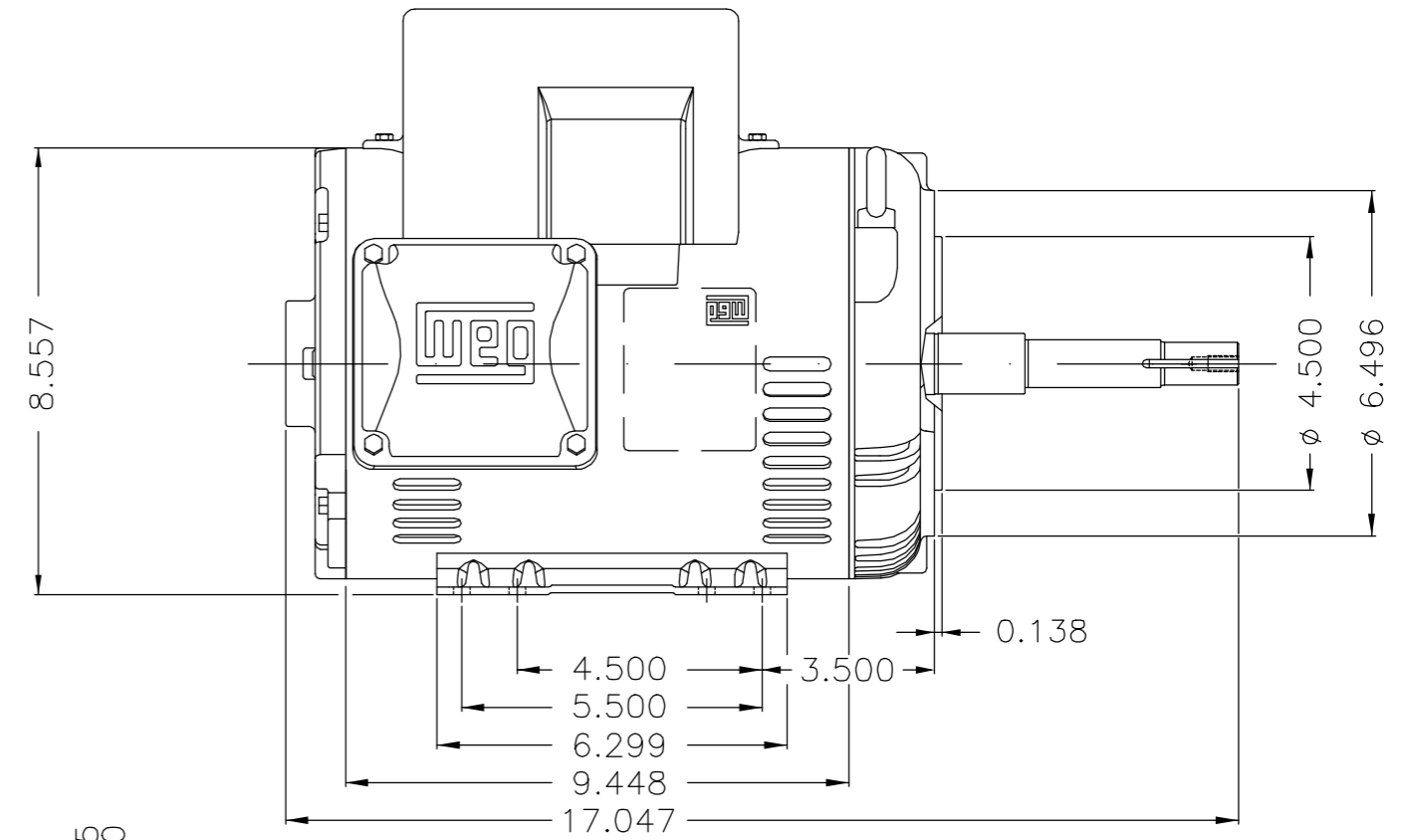
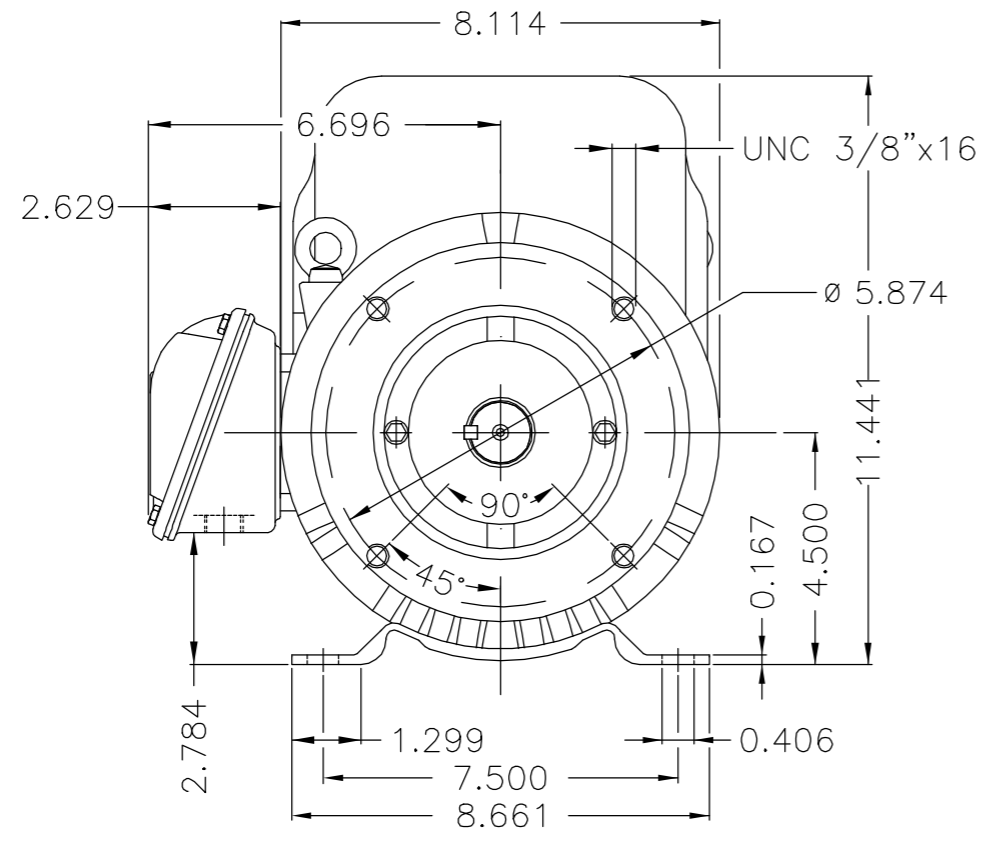
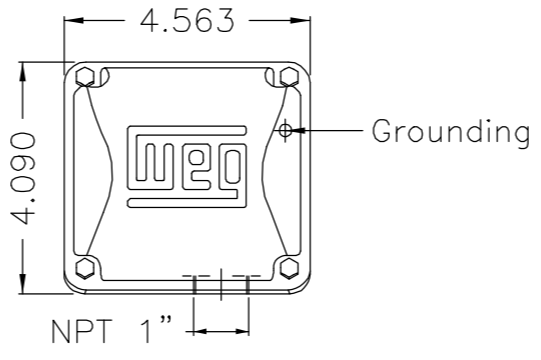
Customer :					
Product line : Rolled Steel JM Pump Single-Phase		Product code : 15211536		Catalog # : 00336OS1B182JM-S	
Frame : 182/4JM Output : 3 HP (2.2 kW) Poles : 2 Frequency : 60 Hz Rated voltage : 115/208-230 V Rated current : 25.8/13.8-12.9 A L. R. Amperes : 173/92.5-86.4 A LRC : 6.7x(Code H) No load current : 10.5/3.90-5.20 A Rated speed : 3510 rpm Slip : 2.50 % Rated torque : 4.49 ft.lb Locked rotor torque : 220 % Breakdown torque : 260 % Insulation class : F Service factor : 1.15 Moment of inertia (J) : 13.0 sq.ft.lb	Locked rotor time : 19s (cold) 11s (hot) Temperature rise : 80 K Duty cycle : Cont.(S1) Ambient temperature : -20°C to +40°C Altitude : 1000 m.a.s.l. Cooling method : IC01 - ODP Mounting : F-1 Rotation ¹ : Both (CW and CCW) Starting method : Direct On Line Approx. weight ⁹ : 75.0 lb				
Output	25%	50%	75%	100%	
Efficiency (%)	0.000	75.8	80.6	81.5	
Power Factor	0.00	0.80	0.88	0.91	
Foundation loads					
Max. traction : 37 lb					
Max. compression : 112 lb					
		<u>Drive end</u>	<u>Non drive end</u>		
Bearing type	:	6207 ZZ	6205 ZZ		
Sealing	:	Without Bearing Seal	Without Bearing Seal		
Lubrication interval	:	0 h	0 h		
Lubricant amount	:	0 g	0 g		
Lubricant type	:	Mobil Polyrex EM			
Notes					
This revision replaces and cancel the previous one, which must be eliminated. (1) Looking the motor from the shaft end. (2) Measured at 1m and with tolerance of +3dB(A). (3) Approximate weight subject to changes after manufacturing process. (4) At 100% of full load.			These are average values based on tests with sinusoidal power supply, subject to the tolerances stipulated in NEMA MG-1.		
Rev.	Changes Summary		Performed	Checked	Date
Performed by					
Checked by					
Date	03/11/2023			Page	Revision
				1 / 1	

EJE/SHAFT	
ESTÁNDAR/STANDARD	X
OPCIONAL/OPTIONAL	
ESPECIAL/SPECIAL	

Dimensões em polegada
Dimensions in inches

PRELIMINARY DOCUMENT
Not to be used for installation purposes.

THIS IS AN UPDATED REVISION, THE PREVIOUS ONE MUST BE DISREGARDED.



EUNC 3/8" - 16 WEG TBG253

Forma constructiva F-1/B34R(D) / Mounting F-1/B34R(D)
WEG ELECTRIC CORPORATION - WEC

500001879231	ACCORDING TO 417643588	JAVIERR	RESTELA	RESTELA	25.01.2021	01		
500001682124	NEW DOCUMENT	CESTRELLA	HERNANDEZA	HERNANDEZA	13.11.2019	00		
ECM	LOC	SUMMARY OF MODIFICATIONS		EXECUTED	CHECKED	RELEASED	DATE	VER
EXECUTED	CESTRELLA	SINGLE PHASE MOTOR OPEN ROLLED STEEL		10007152101				
CHECKED	HERNANDEZA	FRAME 182/4JM ODP		000 01				
RELEASED	HERNANDEZA	CLOSE COUPLED PUMP JM TYPE						
REL DT	13.11.2019	WMX	Huehuetoca	Product Engineering	SHEET	1 / 1		

3 HP 02 Poles 60Hz 115/208-230V 415823122



MADE IN MEXICO

MAT: 15211536

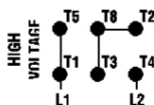
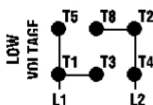
W01.M00IC0X0X

MODEL 003360S1B182JM-S

04OCT2023 S/N:

PH 1	Hz 60	HP 3.0
FR 182/4JM		KW 2.2
DUTY CONT.		V 115/230
ALT 1000 m.a.s.l		A 25.8/12.9
INS CL F ΔT 80K		SFA 28.9/14.5
AMB 40°C	DES -	SF 1.15
ENCL ODP	CODE H	PF 0.91
		RPM 3510
		NEMA NOM. EFF 81.5%
Electric Motor		
DE 6207-ZZ	ODE 6205-ZZ	MOBIL POLYREX EM

REVERSE ROTATION INVERT T5 BY T8



- T1 - BLU
- T2 - WHT
- T3 - ORG
- T4 - YEL
- T5 - BLK
- T8 - RED



WARNING: Motor must be grounded in accordance with local and national electrical codes to prevent serious electrical shocks. Disconnect power source before servicing unit.



AVERTISSEMENT: Le moteur doit être mis à la terre conformément aux codes électriques locaux et nationaux afin d'éviter tout choc électrique grave. Déconnectez l'alimentation avant l'entretien de la machine.