

DATA SHEET

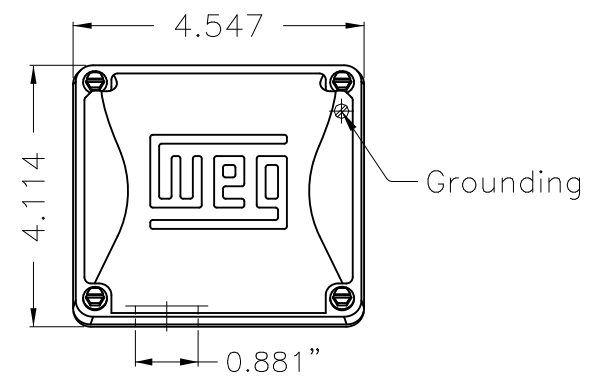


Three Phase Induction Motor - Squirrel Cage

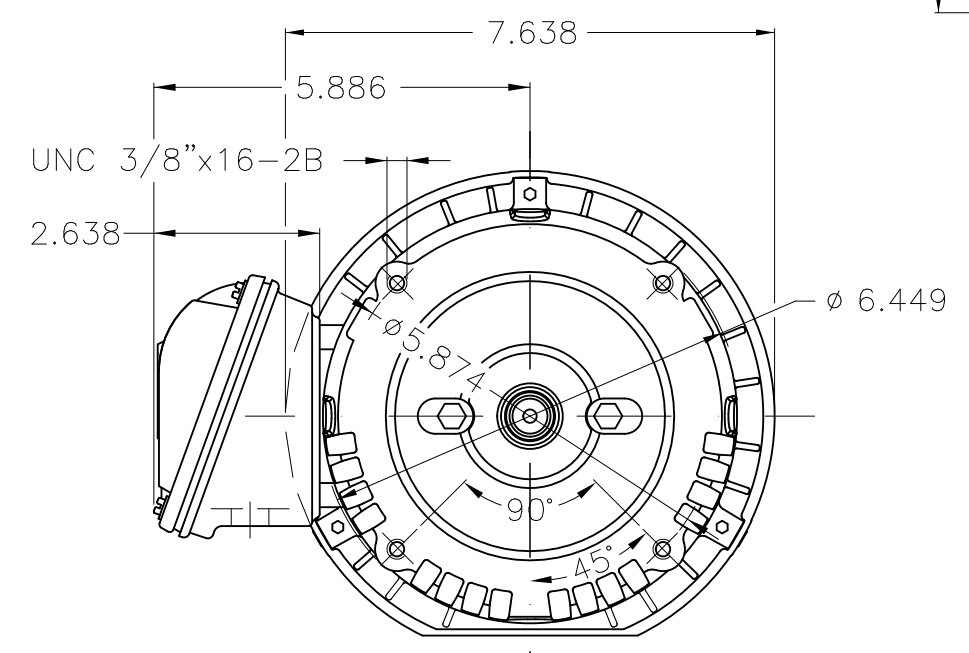
Customer :					
Product line : Rolled Steel Jet Pump - J type Premium Efficiency Three-Phase		Product code : 14795712			
		Catalog # : 00336ET3EJPR56J-S			
Frame : 56J	Output : 3 HP (2.2 kW)	Poles : 2	Frequency : 60 Hz	Rated voltage : 230/460 V	
Rated current : 7.34/3.67 A	L. R. Amperes : 68.3/34.1 A	LRC : 9.3x(Code L)	No load current : 3.20/1.60 A	Rated speed : 3505 rpm	
Slip : 2.64 %	Rated torque : 4.49 ft.lb	Locked rotor torque : 280 %	Breakdown torque : 380 %	Insulation class : F	
Service factor : 1.15	Moment of inertia (J) : 0.1663 sq.ft.lb	Design : B	Locked rotor time : 18s (cold) 10s (hot)	Temperature rise : 80 K	
			Duty cycle : Cont.(S1)	Ambient temperature : -20°C to +40°C	
			Altitude : 1000 m.a.s.l.	Protection degree : IP55	
			Cooling method : IC411 - TEFC	Mounting : F-1	
			Rotation ¹ : CCW	Noise level ² : 68.0 dB(A)	
			Starting method : Direct On Line	Approx. weight ³ : 45.5 lb	
Output	25%	50%	75%	100%	
Efficiency (%)	78.7	81.0	84.0	86.5	
Power Factor	0.45	0.71	0.82	0.87	
Foundation loads					
Max. traction : 154 lb					
Max. compression : 199 lb					
Bearing type :	<u>Drive end</u> 6203 2RS		<u>Non drive end</u> 6202 2RS		
Sealing :	V'Ring		Without Bearing Seal		
Lubrication interval :	-		-		
Lubricant amount :	-		-		
Lubricant type :	Mobil Polyrex EM				
Notes USABLE @208V 7.76A SF 1.00 SFA 7.76A					
This revision replaces and cancel the previous one, which must be eliminated. (1) Looking the motor from the shaft end. (2) Measured at 1m and with tolerance of +3dB(A). (3) Approximate weight subject to changes after manufacturing process. (4) At 100% of full load.			These are average values based on tests with sinusoidal power supply, subject to the tolerances stipulated in NEMA MG-1.		
Rev.	Changes Summary		Performed	Checked	Date
Performed by					
Checked by					
Date	06/11/2023			Page 1 / 1	Revision

1 2 3 4 5 6

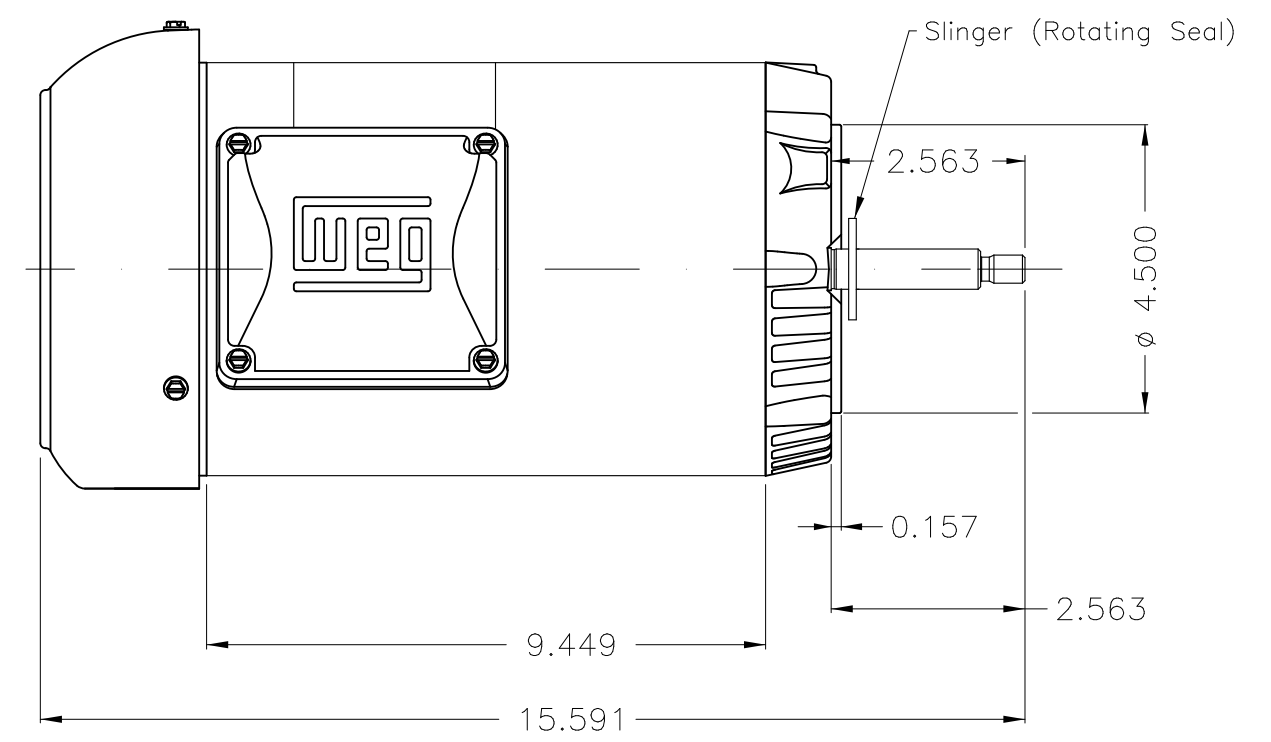
A



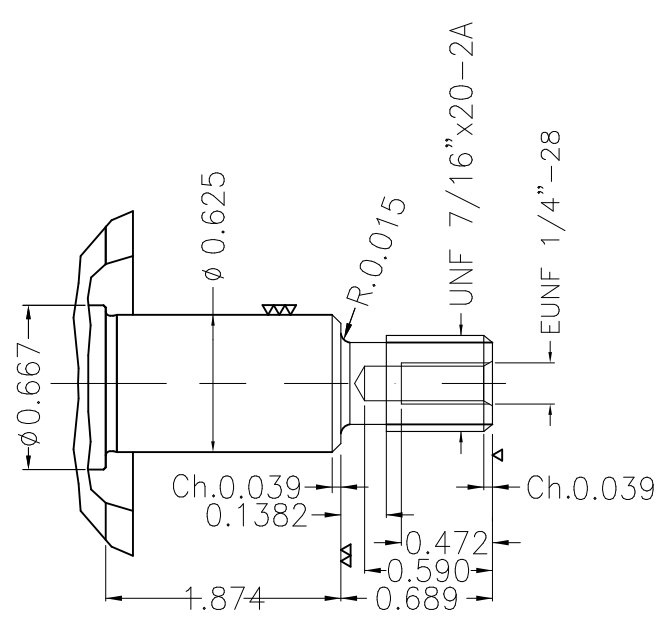
B



C



D



E

Fan cover - steel plate
 Color Munsell N 1 matte black
 Painting plan 207N
 Mounting F-1/B14R(D)

						USERADMIN								00		
ECM	LOC	SUMMARY OF MODIFICATIONS				EXECUTED	CHECKED	RELEASED	DATE	VER						
EXECUTED	USERADMIN	THREE PH. MOTOR ROLLED STEEL JET PUMP THREADED PUMP				PREVIEW										
CHECKED		FRAME 56J IP55 TEFC														
RELEASED																
REL. DATE		WMO	Jaragua do Sul	Product Engineering	WDD	00										
					SHEET	1 / 1										

3 HP 02 Poles 60 Hz



**NEMA**
Premium3PT9
UL US LISTED
FOR SAFE AREA**SP** US
Energy Verified

MADE IN BRAZIL

MAT: 14795712 CC029A

W01.TE0IC0X0X

MODEL 00336ET3EJPR56J-S

24OCT2023 B/N:

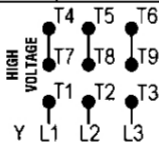
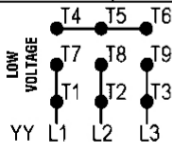
For 60Hz: Class I, Zone 2, IIC
Class I, Div.2, Gr. A,B,C,D - T3
Div 2 Inverter Duty (SF1.00)
CT 2:1/VT 1000:1

PH 3	Hz 60	HP 3.0
FR 56J		KW 2.2
DUTY CONT.		V 230/460
ALT 1000 m.a.s.l		A 7.34/3.67
INS CL F ΔT 80K	IP55	SFA 8.44/4.22
AMB 40°C	DES B	SF 1.15
ENCL TEFC	CODE L	PF 0.87
		RPM 3505
		NEMA NOM. EFF 86.5%

ALTERNATE RATING: 3.0HP	50Hz	190-220/380-415V	SF1.15
8.88-7.72/4.44-4.09A	2870RPM	EFF 84.6%	{IE2} IEC 60034-1

For safe area-inverter duty motor For 60Hz use on VPWM 1000:1 VT, 5:1 CT

DE 6203-2RS	ODE 6202-2RS	MOBIL POLYREX EM
-------------	--------------	------------------



T1-BLU T2-WHT
T3-ORG T4-YEL
T5-BLK T6-GRY
T7-PNK T8-RED
T9-RED BRK

**WARNING:** Motor must be grounded in accordance with local and national electrical codes to prevent serious electrical shocks. Disconnect power source before servicing unit.**AVERTISSEMENT:** Le moteur doit être mis à la terre conformément aux codes électriques locaux et nationaux afin d'éviter tout choc électrique grave. Déconnectez l'alimentation avant l'entretien de la machine.