

DATA SHEET



Three Phase Induction Motor - Squirrel Cage

Customer :					
Product line : Rolled Steel NEMA Premium Efficiency Three-Phase		Product code : 12628876			
		Catalog # : 002180T3E145T-S			
Frame : 143/5T Output : 2 HP (1.5 kW) Poles : 4 Frequency : 60 Hz Rated voltage : 230/460 V Rated current : 5.38/2.69 A L. R. Amperes : 41.4/20.7 A LRC : 7.7x(Code K) No load current : 2.75/1.38 A Rated speed : 1740 rpm Slip : 3.33 % Rated torque : 6.04 ft.lb Locked rotor torque : 260 % Breakdown torque : 320 % Insulation class : F Service factor : 1.15 Moment of inertia (J) : 0.1168 sq.ft.lb Design : B		Locked rotor time : 30s (cold) 17s (hot) Temperature rise : 80 K Duty cycle : Cont.(S1) Ambient temperature : -20°C to +40°C Altitude : 1000 m.a.s.l. Cooling method : IC01 - ODP Mounting : F-1 Rotation ¹ : Both (CW and CCW) Noise level ² : 52.0 dB(A) Starting method : Direct On Line Approx. weight ³ : 40.0 lb			
Output	50%	75%	100%	Foundation loads	
Efficiency (%)	85.5	86.5	86.5	Max. traction : 159 lb	
Power Factor	0.61	0.74	0.81	Max. compression : 199 lb	
		<u>Drive end</u>	<u>Non drive end</u>		
Bearing type	:	6205 ZZ	6203 ZZ		
Sealing	:	Without Bearing Seal	Without Bearing Seal		
Lubrication interval	:	-	-		
Lubricant amount	:	-	-		
Lubricant type	:	Mobil Polyrex EM			
Notes USABLE @208V 5.95A SF 1.00 SFA 5.95A					
This revision replaces and cancel the previous one, which must be eliminated. (1) Looking the motor from the shaft end. (2) Measured at 1m and with tolerance of +3dB(A). (3) Approximate weight subject to changes after manufacturing process. (4) At 100% of full load.			These are average values based on tests with sinusoidal power supply, subject to the tolerances stipulated in NEMA MG-1.		
Rev.	Changes Summary		Performed	Checked	Date
Performed by					
Checked by				Page	Revision
Date	06/11/2023			1 / 1	

1 2 3 4 5 6

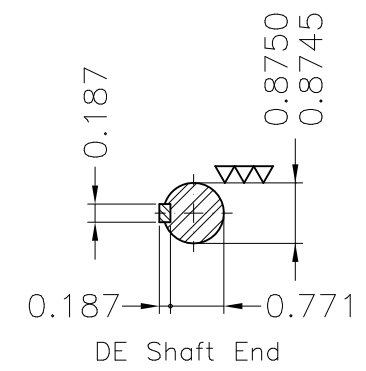
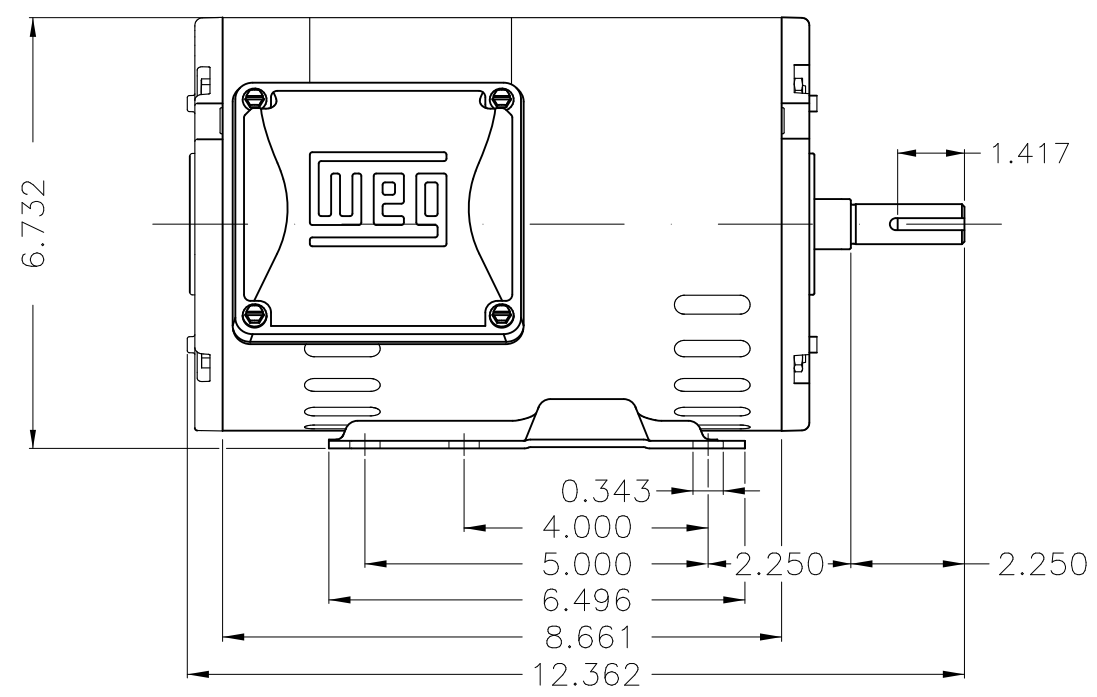
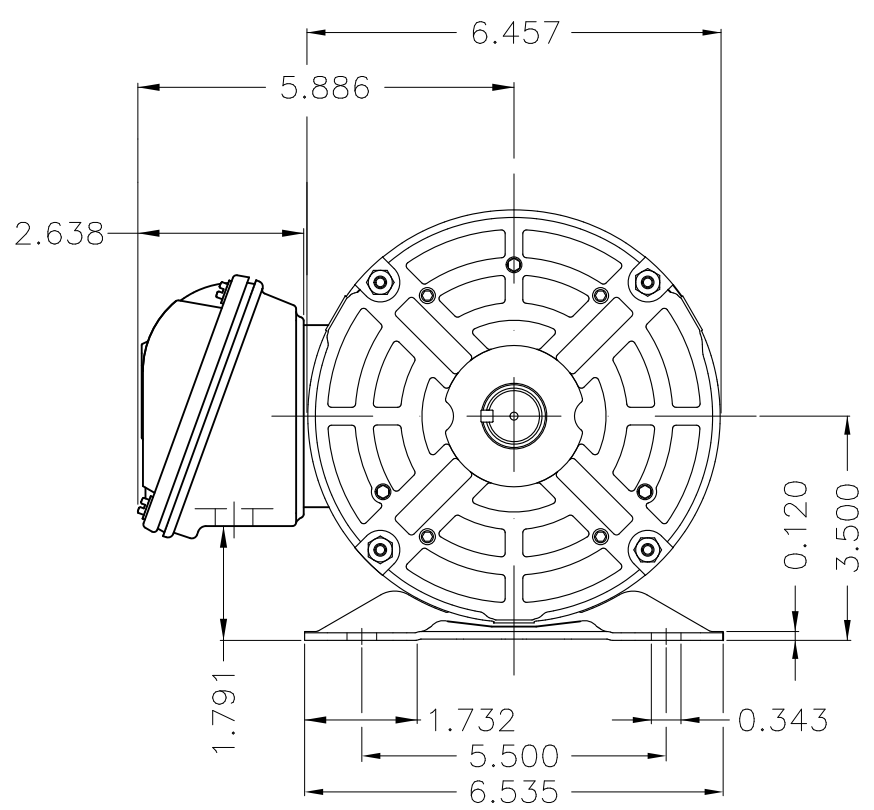
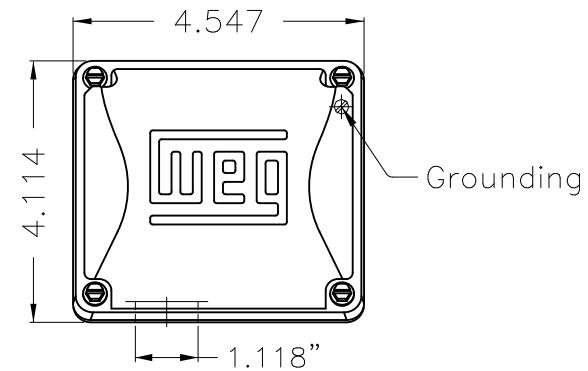
A

B

C

D

E



Color Munsell N 1 matte black						
Painting plan 207N						
Mounting F-1/B3R(D)						
						00
ECM	LOC	SUMMARY OF MODIFICATIONS			EXECUTED	00
EXECUTED	USERADMIN	THREE PH. MOTOR ROLLED STEEL NEMA PREM. EFF.			WDD	00
CHECKED		FRAME 143/5T IP21 ODP			PREVIEW	
RELEASED					WDD 00	
REL. DATE		WMO	Jaragua do Sul	Product Engineering	SHEET	1 / 1

2 HP 04 Poles 60 Hz

A



**NEMA**
Premium

3PT9



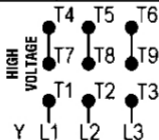
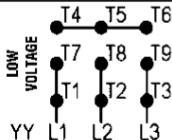
MADE IN MEXICO

MAT: 12628876 CC029A

W01.T00IC0X0N

MODEL 002180T3E145T-S

PH 3	Hz 60	HP 2.0
FR 143/5T		kW 1.5
DUTY CONT.		V 230/460
ALT 1000 m.a.s.l		A 5.38/2.69
INS CL F ΔT 80K		SFA 6.19/3.09
AMB 40°C	DES B	SF 1.15
ENCL ODP	CODE K	PF 0.81
		RPM 1740
		NEMA NOM. EFF 86.5%
ALTERNATE RATING: 2.0HP 50Hz 190-220/380-415V SF1.00		
6.52-5.79/3.26-3.07A 1410RPM EFF 82.2% (IE1) IEC 60034-1		
Inverter duty motor For 60Hz use on VPWM 1000:1 VT, 5:1 CT		
DE 6205-ZZ	ODE 6203-ZZ	MOBIL POLYREX EM



T1-BLU T2-WHT
 T3-ORG T4-YEL
 T5-BLK T6-GRY
 T7-PNK T8-RED
 T9-RED BRK

INTERCHANGE ANY TWO LINE WIRES TO REVERSE THE ROTATION

WARNING: Motor must be grounded in accordance with local and national electrical codes to prevent serious electrical shocks. Disconnect power source before servicing unit.



AVERTISSEMENT: Le moteur doit être mis à la terre conformément aux codes électriques locaux et nationaux afin d'éviter tout choc électrique grave. Déconnectez l'alimentation avant l'entretien de la machine.

