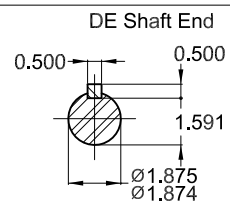
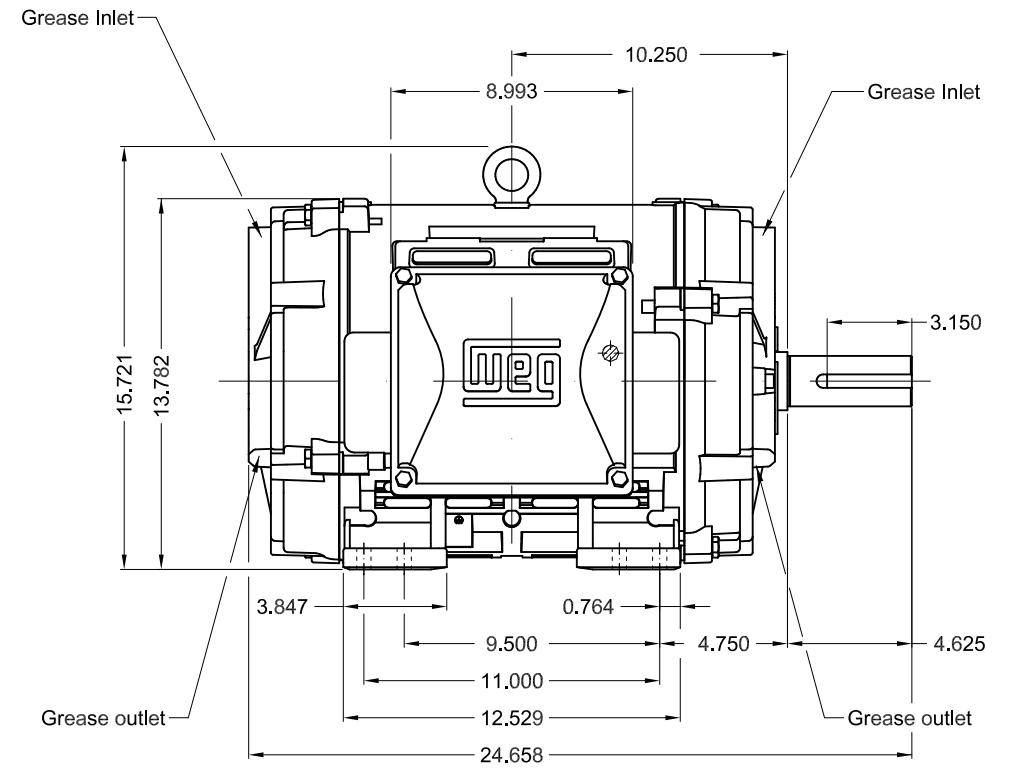
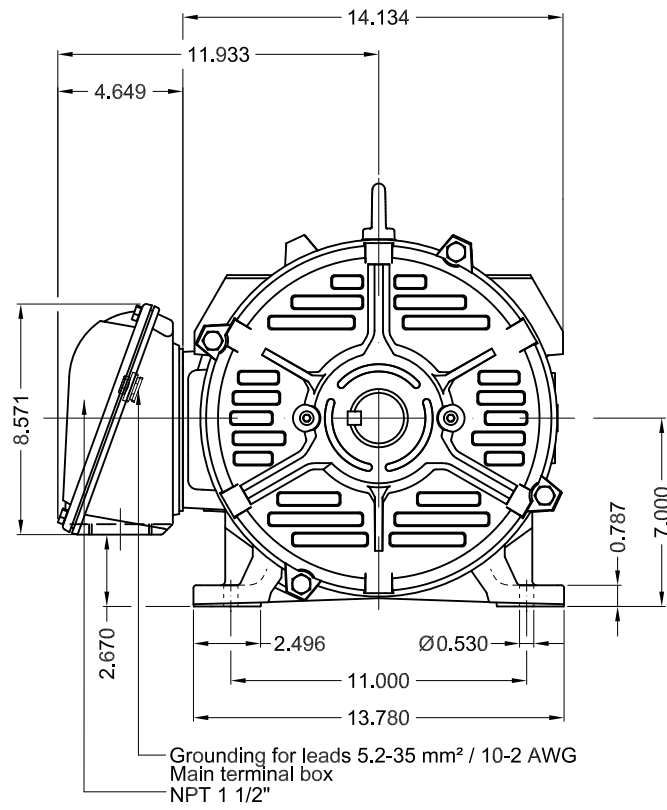


DATA SHEET



Three Phase Induction Motor - Squirrel Cage

Customer :					
Product line : W40 NEMA Premium Efficiency Three-Phase		Product code : 14448032		Catalog # : 03018OT3E286T-W40	
Frame : 284/6T	Output : 30 HP (22 kW)	Poles : 4	Frequency : 60 Hz	Rated voltage : 230/460 V	
Rated current : 69.8/34.9 A	L. R. Amperes : 461/230 A	LRC : 6.6x(Code G)	No load current : 24.2/12.1 A	Rated speed : 1770 rpm	
Slip : 1.67 %	Rated torque : 89.0 ft.lb	Locked rotor torque : 240 %	Breakdown torque : 270 %	Insulation class : F	
Service factor : 1.25	Moment of inertia (J) : 4.52 sq.ft.lb	Design : B	Locked rotor time : 32s (cold) 18s (hot)	Temperature rise : 80 K	
			Duty cycle : Cont.(S1)	Ambient temperature : -20°C to +40°C	
			Altitude : 1000 m.a.s.l.	Protection degree : IP23	
			Cooling method : IC01 - ODP	Mounting : F-1	
			Rotation ¹ : Both (CW and CCW)	Noise level ² : 64.0 dB(A)	
			Starting method : Direct On Line	Approx. weight ³ : 398 lb	
Output	25%	50%	75%	100%	
Efficiency (%)	93.4	93.6	94.1	94.1	
Power Factor	0.46	0.70	0.80	0.84	
Foundation loads					
Max. traction					
Max. compression					
Bearing type :	<u>Drive end</u> 6311 Z C3		<u>Non drive end</u> 6211 Z C3		
Sealing :	Without Bearing Seal		Without Bearing Seal		
Lubrication interval :	20000 h		20000 h		
Lubricant amount :	18 g		11 g		
Lubricant type :	Mobil Polyrex EM				
Notes USABLE @208V 77.2A SF 1.15 SFA 88.8A					
This revision replaces and cancel the previous one, which must be eliminated. (1) Looking the motor from the shaft end. (2) Measured at 1m and with tolerance of +3dB(A). (3) Approximate weight subject to changes after manufacturing process. (4) At 100% of full load.			These are average values based on tests with sinusoidal power supply, subject to the tolerances stipulated in NEMA MG-1.		
Rev.	Changes Summary		Performed	Checked	Date
Performed by					
Checked by					
Date	07/11/2023			Page 1 / 1	Revision



Color RAL 5009
Painting plan 203A
Mounting NEMA F-1
Mounting B3R(D)

30 HP 04 Poles 60 Hz

Dimensions in inches

1:7

ECM		LOC	SUMMARY OF MODIFICATIONS		USERADMIN					00
EXECUTED	USERADMIN			THREE PH. MOTOR W40 NEMA PREM. EFF.						
CHECKED				FRAME 284/6T IP23 ODP						
RELEASED										
REL. DATE			WMO	Jaragua do Sul	Product Engineering					

PREVIEW
WDD 00
SHEET 1 / 1





60Hz: For use on PWM: VT 1000:1, CT 3:1,
1.00SF



Mod.T01#FOXON
CC029A

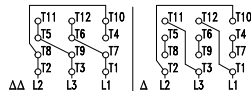
MODEL 030180T3E286T-W40




Inverter Duty Motor
IEC 60034-1

MADE IN BRAZIL
14448032

PH3 Fr. 284/6T DUTY CONT. ODP(IC01) IP23 DES B(N) Code G
398lb 1000m.a.s.l. INS cl. F DT 80K AMB 40°C SF 1.00//1.25

V		Hz	kW	HP	RPM	A		SFA		PF	IE code	NEMA NOM EFF η 100%/75%/50%
230 $\Delta\Delta$	460 Δ	60	22	30	1770	69.8	34.9	87.3	43.6	0.84	IE3	94.1/94.1/93.6
380 Δ	-	50	18.5	25	1470	35.7	-	35.7	-	0.85	IE3	92.6/92.6/92.2
-	-	-	-	-	-	-	-	-	-	-	-	-
-	-	-	-	-	-	-	-	-	-	-	-	-



-  → 6311-Z-C3 (18g)
-  → 6211-Z-C3 (11g)
-  MOBIL POLYREX EM (20000h)

