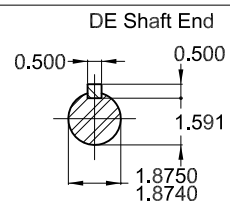
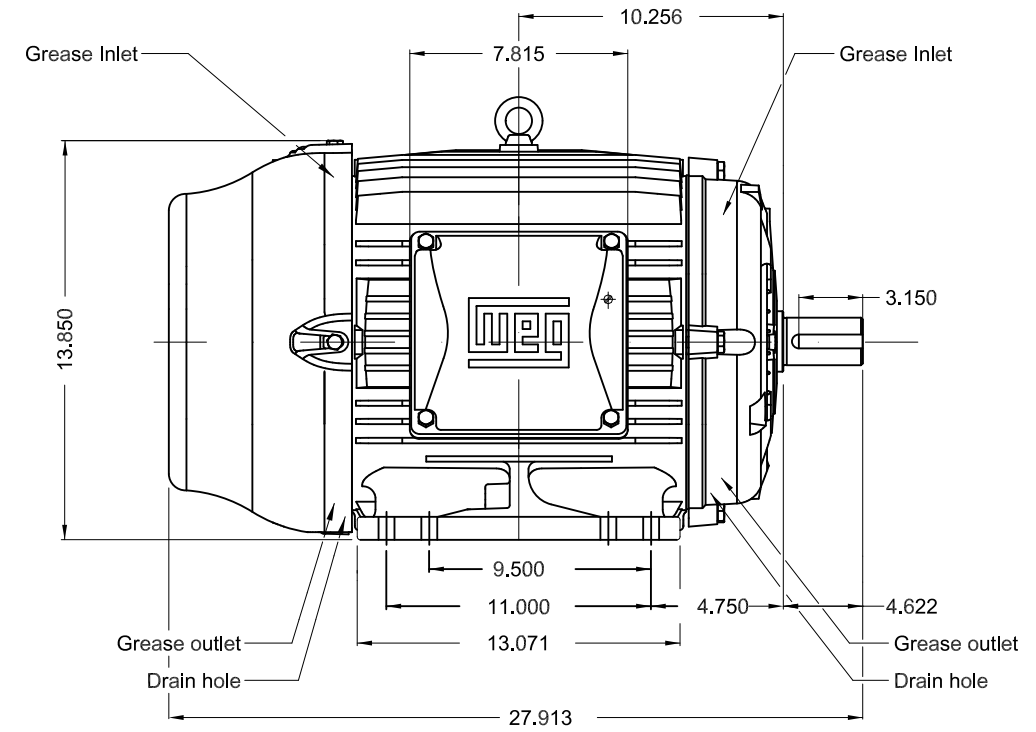
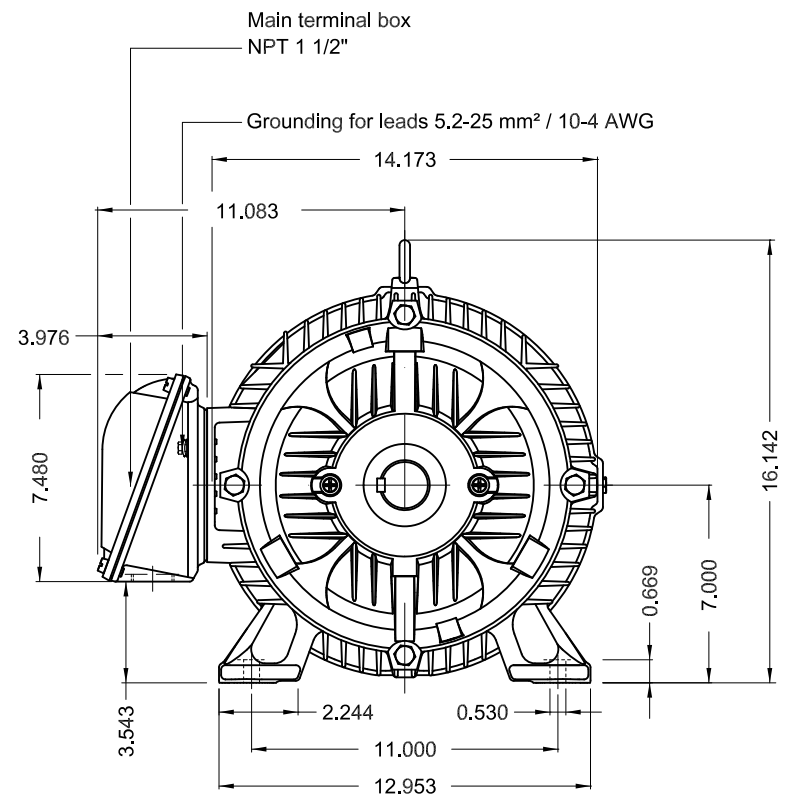


# DATA SHEET



## Three Phase Induction Motor - Squirrel Cage

Customer :																
Product line : W22 NEMA Premium Efficiency Three-Phase	Product code : 11443945 Catalog # : 03018ET3E286T-W22															
Frame : 284/6T Output : 30 HP (22 kW) Poles : 4 Frequency : 60 Hz Rated voltage : 230/460 V Rated current : 70.2/35.1 A L. R. Amperes : 428/214 A LRC : 6.1x(Code G) No load current : 24.6/12.3 A Rated speed : 1770 rpm Slip : 1.67 % Rated torque : 89.0 ft.lb Locked rotor torque : 240 % Breakdown torque : 240 % Insulation class : F Service factor : 1.25 Moment of inertia (J) : 5.85 sq.ft.lb Design : B	Locked rotor time : 36s (cold) 20s (hot) Temperature rise : 80 K Duty cycle : Cont.(S1) Ambient temperature : -20°C to +40°C Altitude : 1000 m.a.s.l. Protection degree : IP55 Cooling method : IC411 - TEFC Mounting : F-1 Rotation <sup>1</sup> : Both (CW and CCW) Noise level <sup>2</sup> : 63.0 dB(A) Starting method : Direct On Line Approx. weight <sup>3</sup> : 438 lb															
<table border="1"> <tr> <td>Output</td> <td>25%</td> <td>50%</td> <td>75%</td> <td>100%</td> </tr> <tr> <td>Efficiency (%)</td> <td>0.000</td> <td>93.0</td> <td>93.0</td> <td>93.6</td> </tr> <tr> <td>Power Factor</td> <td>0.00</td> <td>0.70</td> <td>0.80</td> <td>0.84</td> </tr> </table>	Output	25%	50%	75%	100%	Efficiency (%)	0.000	93.0	93.0	93.6	Power Factor	0.00	0.70	0.80	0.84	Foundation loads Max. traction : 906 lb Max. compression : 1345 lb
Output	25%	50%	75%	100%												
Efficiency (%)	0.000	93.0	93.0	93.6												
Power Factor	0.00	0.70	0.80	0.84												
Losses at normative operating points (speed;torque), in percentage of rated output power																
P1 (0,9;1,0)	P2 (0,5;1,0)	P3 (0,25;1,0)	P4 (0,9;0,5)	P5 (0,5;0,5)	P6 (0,5;0,25)	P7 (0,25;0,25)										
6.8	5.8	5.2	3.1	2.2	1.4	0.9										
Drive end Bearing type : 6311 C3 Sealing : V'Ring Lubrication interval : 20000 h Lubricant amount : 18 g Lubricant type : Mobil Polyrex EM			Non drive end Bearing type : 6211 C3 Sealing : V'Ring Lubrication interval : 20000 h Lubricant amount : 11 g													
Notes USABLE @208V 77.6A SF 1.15 SFA 89.3A																
This revision replaces and cancel the previous one, which must be eliminated. (1) Looking the motor from the shaft end. (2) Measured at 1m and with tolerance of +3dB(A). (3) Approximate weight subject to changes after manufacturing process. (4) At 100% of full load.				These are average values based on tests with sinusoidal power supply, subject to the tolerances stipulated in NEMA MG-1.												
Rev.	Changes Summary			Performed	Checked	Date										
Performed by																
Checked by					Page	Revision										
Date	07/11/2023				1 / 1											



Without vertical jackscrews  
 Color RAL 5009  
 Painting plan 203A  
 Mounting B3R(D)

30 HP 04 Poles 60 Hz A

						USERADMIN								00			
ECM	LOC	SUMMARY OF MODIFICATIONS				EXECUTED	CHECKED	RELEASED	DATE	VER							
EXECUTED	USERADMIN	THREE PH. MOTOR W22 NEMA PREM. EFF.										PREVIEW					
CHECKED		FRAME 284/6T IP55 TEFC										WDD		00			
RELEASED												SHEET		1 / 1			
REL. DATE		WMO		Jaragua do Sul		Product Engineering											



MADE IN MEXICO  
11443945



FOR SAFE AREA  
Mod. TE1BFOXON  
CC029A

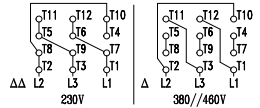


For use on 60Hz  
Class I, Div 2, Gr A, B, C and D - T3  
Class I, Zone 2, IIC - T3  
Class II, Div 2, Gr F and G - T4  
For use on PWM: Gr. A, B, C, D and F,  
VT 1000:1, CT 20:1, 1.00SF - T3A

Inverter Duty Motor  
Severe Duty

PH3	60Hz	Fr. 284/6T	1000m.a.s.l.	IP55	TEFC	438lb
V	230/460			A	70.2/35.1	
HP	30			kW	22	
SF	1.25			SFA	87.8/43.9	
RPM	1770			PF	0.84	
AMB	40°C	INS cl.	F DT80K	NEMA NOM EFF	93.6%	
DUTY CONT.		DES B	Code G			

30HP 22kW 50Hz 380V 43.1A 1455RPM SF 1.00 EFF 90.2% (IE1)



- 6311-C3 (18g)
- 6211-C3 (11g)

MOBIL POLYREX EM (20000h)

