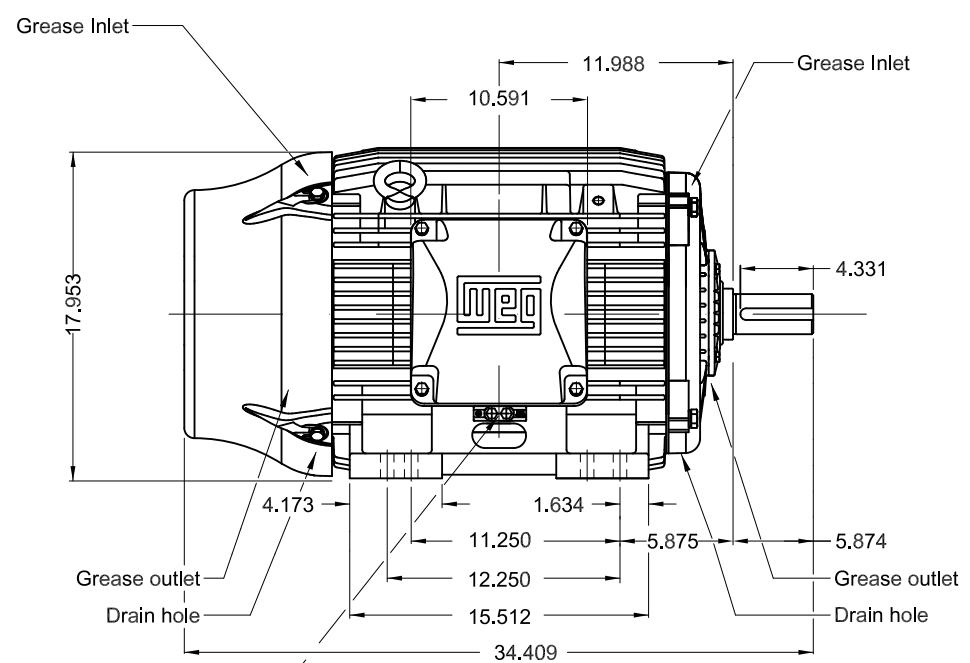
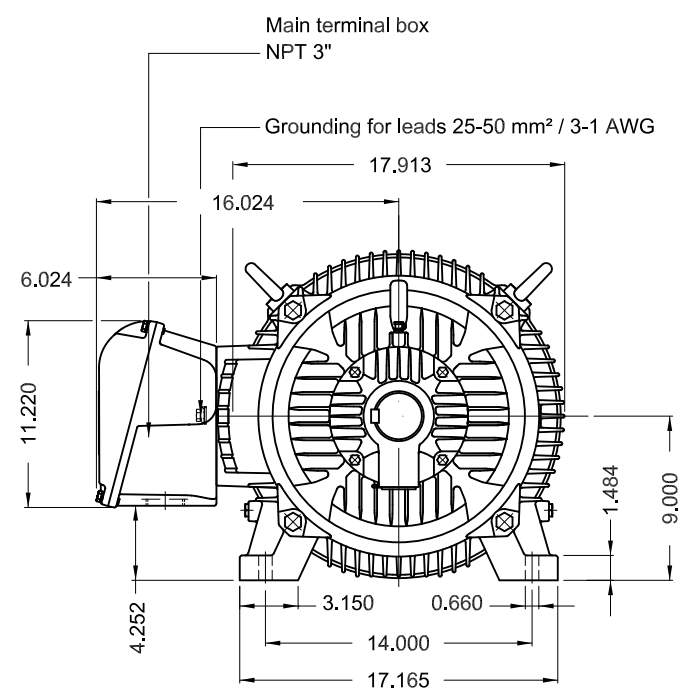


DATA SHEET



Three Phase Induction Motor - Squirrel Cage

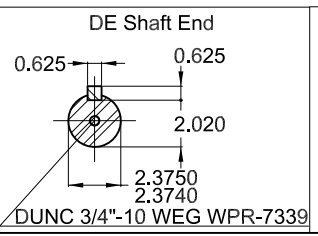
Customer :						
Product line : W22 NEMA Premium Efficiency Three-Phase			Product code : 11166654		Catalog # : 06018ET3E364T-W22	
Frame : 364/5T Output : 60 HP (45 kW) Poles : 4 Frequency : 60 Hz Rated voltage : 230/460 V Rated current : 143/71.6 A L. R. Amperes : 888/444 A LRC : 6.2x(Code G) No load current : 56.0/28.0 A Rated speed : 1780 rpm Slip : 1.11 % Rated torque : 177 ft.lb Locked rotor torque : 220 % Breakdown torque : 240 % Insulation class : F Service factor : 1.25 Moment of inertia (J) : 22.4 sq.ft.lb Design : B			Locked rotor time : 27s (cold) 15s (hot) Temperature rise : 80 K Duty cycle : Cont.(S1) Ambient temperature : -20°C to +40°C Altitude : 1000 m.a.s.l. Protection degree : IP55 Cooling method : IC411 - TEFC Mounting : F-1 Rotation ¹ : Both (CW and CCW) Noise level ² : 67.0 dB(A) Starting method : Direct On Line Approx. weight ³ : 861 lb			
Output 50% 75% 100%			Foundation loads			
Efficiency (%) 94.1 94.5 95.0 Power Factor 0.71 0.80 0.83			Max. traction : 1249 lb Max. compression : 2110 lb			
Losses at normative operating points (speed;torque), in percentage of rated output power						
P1 (0,9;1,0)	P2 (0,5;1,0)	P3 (0,25;1,0)	P4 (0,9;0,5)	P5 (0,5;0,5)	P6 (0,5;0,25)	P7 (0,25;0,25)
5.1	4.1	3.8	2.6	1.7	1.2	0.8
			<u>Drive end</u>		<u>Non drive end</u>	
Bearing type :			6314 C3		6314 C3	
Sealing :			WSeal		WSeal	
Lubrication interval :			12000 h		12000 h	
Lubricant amount :			27 g		27 g	
Lubricant type :			Mobil Polyrex EM			
Notes USABLE @208V 151A SF 1.10 SFA 166A						
This revision replaces and cancel the previous one, which must be eliminated. (1) Looking the motor from the shaft end. (2) Measured at 1m and with tolerance of +3dB(A). (3) Approximate weight subject to changes after manufacturing process. (4) At 100% of full load.				These are average values based on tests with sinusoidal power supply, subject to the tolerances stipulated in NEMA MG-1.		
Rev.	Changes Summary			Performed	Checked	Date
Performed by						
Checked by					Page	Revision
Date	03/11/2023				1 / 1	



Grounding for leads 25-185 mm² / 3AWG-350MCM

60 HP 04 Poles 60 Hz A

Without vertical jackscrews
 Color RAL 5009
 Painting plan 203A
 Mounting B3R(D)



ECM		LOC	SUMMARY OF MODIFICATIONS			USERADMIN					00
EXECUTED	USERADMIN			THREE PH. MOTOR W22 NEMA PREM. EFF.			PREVIEW WDD 00				
CHECKED		FRAME 364/5T IP55 TEFC									
RELEASED											
REL. DATE		WMO		Jaragua do Sul	Product Engineering	SHEET	1 / 1				



For use on 60Hz
 Class I, Div 2, Gr A, B, C and D - T3
 Class I, Zone 2, IIC - T3
 Class II, Div 2, Gr F and G - T4
 For use on PWM: Gr. A, B, C, D and F,
 VT 1000:1, CT 20:1, 1.00SF - T3A

MODEL 06018ET3E364T-W22

Inverter Duty Motor
 Severe Duty

PH3 60Hz Fr. 364/5T 1000m.a.s.l. IP55 TEFC 861lb

V 230/460 A 143/71.6

HP 60 kW 45

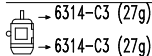
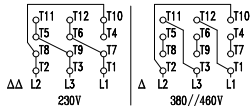
SF 1.25 SFA 179/89.5

RPM 1780 PF 0.83

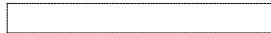
AMB 40°C INS cl. F DT80K NEMA NOM EFF 95.0%

DUTY CONT. DES B Code G

60HP 45kW 50Hz 380V 86.5A 1470RPM SF 1.00 EFF 93.0% (IE1)



MOBIL POLYREX EM (12000h)



MADE IN MEXICO
 11166654