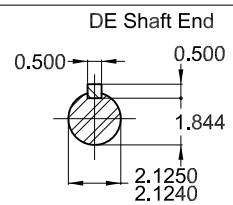
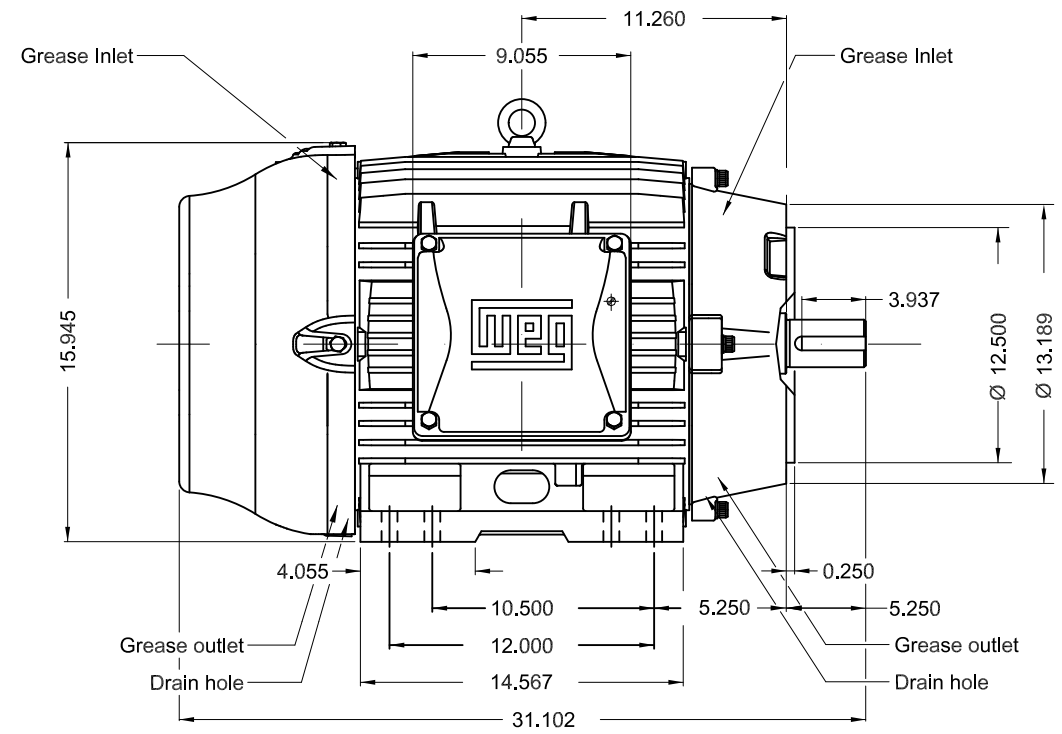
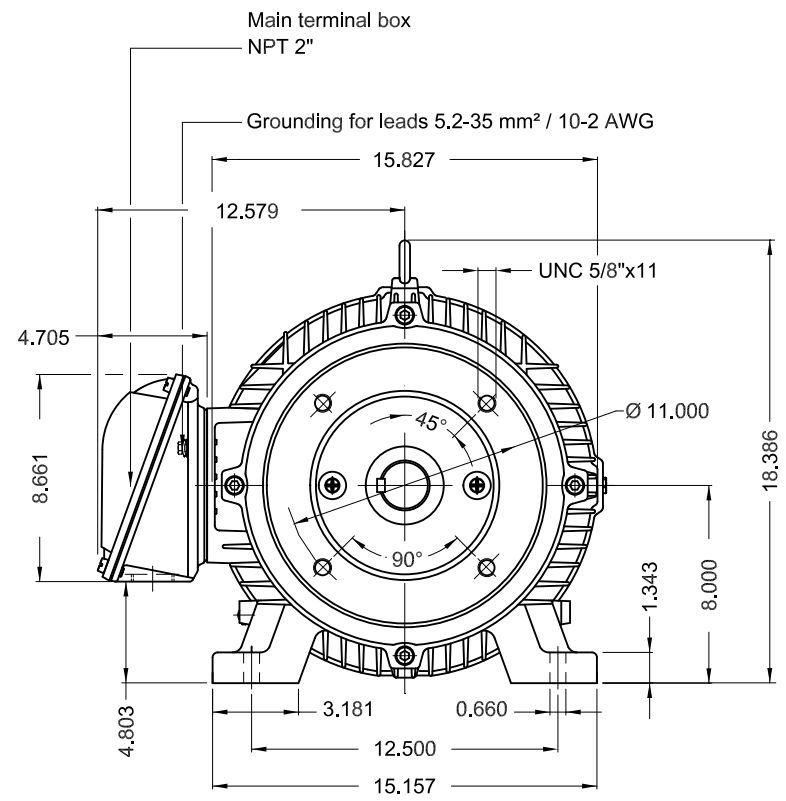


DATA SHEET



Three Phase Induction Motor - Squirrel Cage

Customer :																
Product line : W22 NEMA Premium Efficiency Three-Phase	Product code : 11438075 Catalog # : 05018ET3E326TC-W22															
Frame : 324/6TC Output : 50 HP (37 kW) Poles : 4 Frequency : 60 Hz Rated voltage : 230/460 V Rated current : 118/59.2 A L. R. Amperes : 734/367 A LRC : 6.2x(Code G) No load current : 47.0/23.5 A Rated speed : 1775 rpm Slip : 1.39 % Rated torque : 148 ft.lb Locked rotor torque : 229 % Breakdown torque : 270 % Insulation class : F Service factor : 1.25 Moment of inertia (J) : 9.16 sq.ft.lb Design : B	Locked rotor time : 27s (cold) 15s (hot) Temperature rise : 80 K Duty cycle : Cont.(S1) Ambient temperature : -20°C to +40°C Altitude : 1000 m.a.s.l. Protection degree : IP55 Cooling method : IC411 - TEFC Mounting : F-1 Rotation ¹ : Both (CW and CCW) Noise level ² : 70.0 dB(A) Starting method : Direct On Line Approx. weight ³ : 615 lb															
<table border="1" style="width:100%; border-collapse: collapse;"> <tr> <td>Output</td> <td>25%</td> <td>50%</td> <td>75%</td> <td>100%</td> </tr> <tr> <td>Efficiency (%)</td> <td>0.000</td> <td>93.0</td> <td>94.1</td> <td>94.5</td> </tr> <tr> <td>Power Factor</td> <td>0.00</td> <td>0.66</td> <td>0.77</td> <td>0.83</td> </tr> </table>	Output	25%	50%	75%	100%	Efficiency (%)	0.000	93.0	94.1	94.5	Power Factor	0.00	0.66	0.77	0.83	Foundation loads Max. traction : 1475 lb Max. compression : 2090 lb
Output	25%	50%	75%	100%												
Efficiency (%)	0.000	93.0	94.1	94.5												
Power Factor	0.00	0.66	0.77	0.83												
Losses at normative operating points (speed;torque), in percentage of rated output power																
P1 (0,9;1,0)	P2 (0,5;1,0)	P3 (0,25;1,0)	P4 (0,9;0,5)	P5 (0,5;0,5)	P6 (0,5;0,25)	P7 (0,25;0,25)										
5.7	4.9	4.7	2.7	1.9	1.2	0.9										
Bearing type : <u>Drive end</u> 6312 C3 Sealing : V'Ring Lubrication interval : 20000 h Lubricant amount : 21 g Lubricant type : Mobil Polyrex EM			<u>Non drive end</u> 6212 C3 V'Ring 20000 h 13 g													
Notes USABLE @208V 131A SF 1.15 SFA 151A																
This revision replaces and cancel the previous one, which must be eliminated. (1) Looking the motor from the shaft end. (2) Measured at 1m and with tolerance of +3dB(A). (3) Approximate weight subject to changes after manufacturing process. (4) At 100% of full load.				These are average values based on tests with sinusoidal power supply, subject to the tolerances stipulated in NEMA MG-1.												
Rev.	Changes Summary			Performed	Checked	Date										
Performed by																
Checked by					Page	Revision										
Date	03/11/2023				1 / 1											



Without vertical jackscrews
 Color RAL 5009
 Painting plan 203A
 Mounting B34R(D)

50 HP 04 Poles 60 Hz

ECM		LOC	SUMMARY OF MODIFICATIONS		USERADMIN					00
EXECUTED	USERADMIN		THREE PH. MOTOR W22 NEMA PREM. EFF.		EXECUTED	CHECKED	RELEASED	DATE	VER	
CHECKED			FRAME 324/6TC IP55 TEFC							
RELEASED										
REL. DATE		WMO	Jaragua do Sul	Product Engineering						

PREVIEW

WDD 00





FOR SAFE AREA
Mod. TE1BFOXON
CC029A



For use on 60Hz

Class I, Div 2, Gr A, B, C and D - T3

Class I, Zone 2, IIC - T3

Class II, Div 2, Gr F and G - T4

For use on PWM: Gr. A, B, C, D and F,
VT 1000:1, CT 20:1, 1.00SF - T3A

MODEL 05018ET3E326TC-W22

Inverter Duty Motor
Severe Duty

PH3 60Hz Fr. 324/6TC 1000m.a.s.l. IP55 TEFC 615lb

V 230/460

A 118/59.2

HP 50

kW 37

SF 1.25

SFA 148/74.0

RPM 1775

PF 0.83

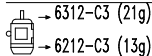
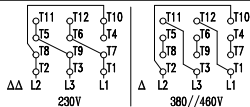
AMB 40°C

INS cl. F DT80K NEMA NOM EFF 94.5%

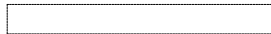
DUTY CONT.

DES B Code G

50HP 37kW 50Hz 380V 71.6A 1460RPM SF 1.00 EFF 92.4% (IE1)



MOBIL POLYREX EM (20000h)



MADE IN BRAZIL
11438075