

DATA SHEET



Three Phase Induction Motor - Squirrel Cage

Customer : _____

Product line : W22 NEMA Premium Efficiency Three-Phase
 Product code : 12448179
 Catalog # : 04036ET3E324TSC-W22

Frame : 324/6TSC	Locked rotor time : 39s (cold) 22s (hot)
Output : 40 HP (30 kW)	Temperature rise : 80 K
Poles : 2	Duty cycle : Cont.(S1)
Frequency : 60 Hz	Ambient temperature : -20°C to +40°C
Rated voltage : 230/460 V	Altitude : 1000 m.a.s.l.
Rated current : 92.6/46.3 A	Protection degree : IP55
L. R. Amperes : 584/292 A	Cooling method : IC411 - TEFC
LRC : 6.3x(Code G)	Mounting : F-1
No load current : 25.0/12.5 A	Rotation ¹ : Both (CW and CCW)
Rated speed : 3555 rpm	Noise level ² : 76.0 dB(A)
Slip : 1.25 %	Starting method : Direct On Line
Rated torque : 59.1 ft.lb	Approx. weight ³ : 500 lb
Locked rotor torque : 250 %	
Breakdown torque : 240 %	
Insulation class : F	
Service factor : 1.25	
Moment of inertia (J) : 4.90 sq.ft.lb	
Design : B	

Output	25%	50%	75%	100%	Foundation loads
Efficiency (%)	0.000	91.7	92.4	92.4	Max. traction : 378 lb
Power Factor	0.00	0.80	0.86	0.88	Max. compression : 878 lb

Losses at normative operating points (speed;torque), in percentage of rated output power

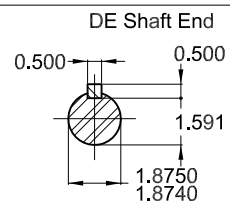
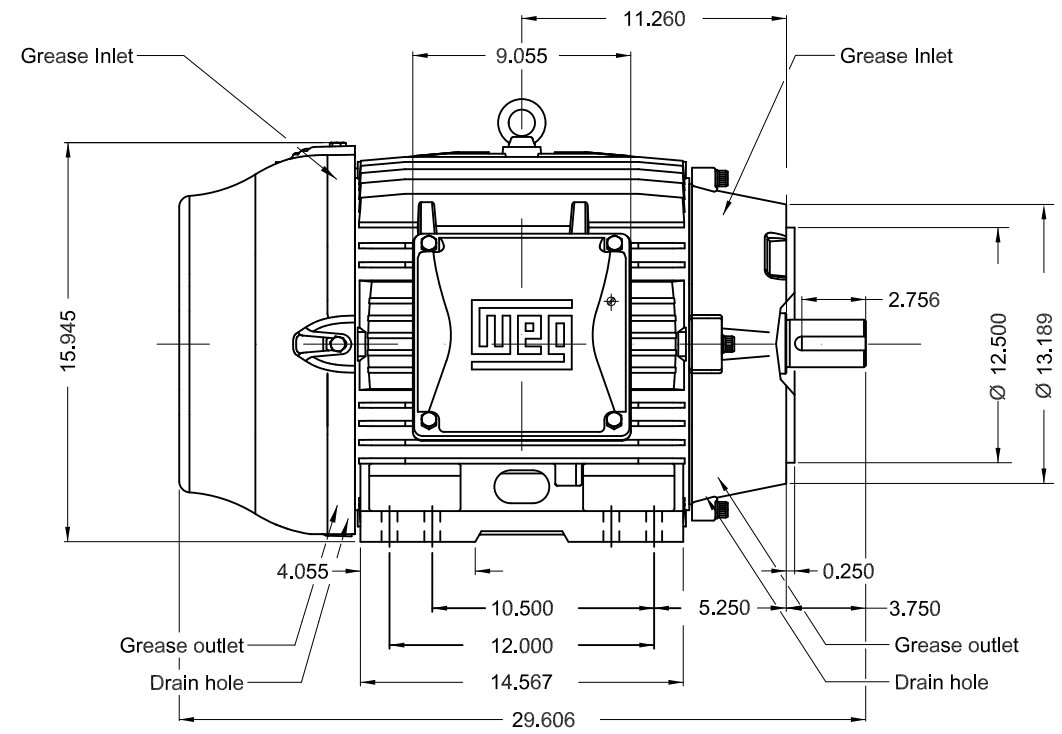
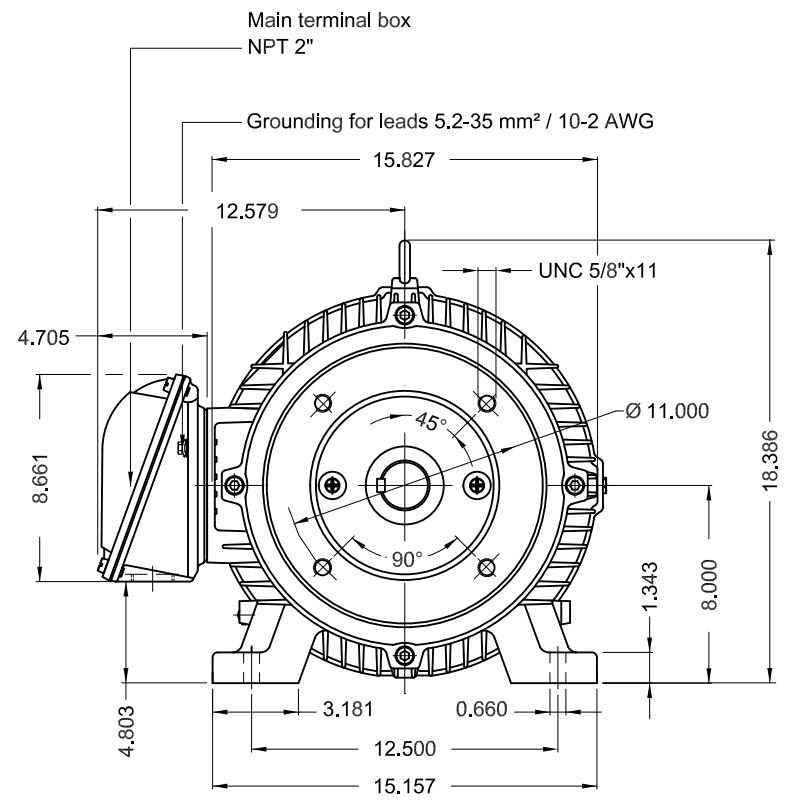
P1 (0,9;1,0)	P2 (0,5;1,0)	P3 (0,25;1,0)	P4 (0,9;0,5)	P5 (0,5;0,5)	P6 (0,5;0,25)	P7 (0,25;0,25)
7.4	4.7	3.8	4.6	2.2	1.7	0.8

	<u>Drive end</u>	<u>Non drive end</u>
Bearing type :	6312 C3	6212 C3
Sealing :	V'Ring	V'Ring
Lubrication interval :	12000 h	15000 h
Lubricant amount :	21 g	13 g
Lubricant type :	Mobil Polyrex EM	

Notes
 USABLE @208V 101A SF 1.10 SFA 111A

This revision replaces and cancel the previous one, which must be eliminated. (1) Looking the motor from the shaft end. (2) Measured at 1m and with tolerance of +3dB(A). (3) Approximate weight subject to changes after manufacturing process. (4) At 100% of full load.	These are average values based on tests with sinusoidal power supply, subject to the tolerances stipulated in NEMA MG-1.
--	--

Rev.	Changes Summary	Performed	Checked	Date
Performed by				
Checked by			Page	Revision
Date	03/11/2023		1 / 1	



Without vertical jackscrews
 Color RAL 5009
 Painting plan 203A
 Mounting B34R(D)

40 HP 02 Poles 60 Hz

ECM		LOC	SUMMARY OF MODIFICATIONS		USERADMIN					00
EXECUTED	USERADMIN		THREE PH. MOTOR W22 NEMA PREM. EFF.		EXECUTED	CHECKED	RELEASED	DATE	VER	
CHECKED			FRAME 324/6TSC IP55 TEFC							
RELEASED										
REL. DATE		WMO	Jaragua do Sul	Product Engineering						

PREVIEW

WDD 00





FOR SAFE AREA
Mod. TE1BFOXON
CC029A



For use on 60Hz
Class I, Div 2, Gr A, B, C and D - T3
Class I, Zone 2, IIC - T3
Class II, Div 2, Gr F and G - T4
For use on PWM: Gr. A, B, C, D and F,
VT 1000:1, CT 20:1, 1.00SF - T3A

MODEL 04036ET3E324TSC-W22

Inverter Duty Motor
Severe Duty

PH3 60Hz Fr. 324/6TSC 1000m.a.s.l. IP55 TEFC 500lb

V 230/460

A 92.6/46.3

HP 40

kW 30

SF 1.25

SFA 116/57.9

RPM 3555

PF 0.88

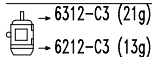
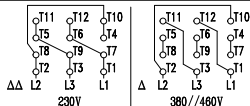
AMB 40°C

INS cl. F DT80K NEMA NOM EFF 92.4%

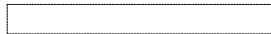
DUTY CONT.

DES B Code G

40HP 30kW 50Hz 380V 56.3A 2935RPM SF 1.00 EFF 91.0% (IE1)



MOBIL POLYREX EM (12000h)



MADE IN MEXICO
12448179