

DATA SHEET



Single Phase Induction Motor - Squirrel Cage

Customer :						
Product line : Close Coupled Pump Single-Phase			Product code : 12724332			
			Catalog # : 01036OS1C215JP			
Frame : 213/5JP Output : 10 HP (7.5 kW) Poles : 2 Frequency : 60 Hz Rated voltage : 208-230 V Rated current : 46.0-42.0 A L. R. Amperes : 276-252 A LRC : 6.0x(Code G) No load current : 0.000-10.5 A Rated speed : 3470 rpm Slip : 3.61 % Rated torque : 15.1 ft.lb Locked rotor torque : 210 % Breakdown torque : 229 % Insulation class : F Service factor : 1.15 Moment of inertia (J) : 0.4271 sq.ft.lb			Locked rotor time : 10s (cold) 6s (hot) Temperature rise : 80 K Duty cycle : Cont.(S1) Ambient temperature : -20°C to +40°C Altitude : 1000 m.a.s.l. Protection degree : IP21 Cooling method : IC01 - ODP Mounting : F-1 Rotation ¹ : CCW Starting method : Direct On Line Approx. weight ³ : 121 lb			
Output		25%	50%	75%	100%	
Efficiency (%)		0.000	81.0	83.0	84.0	
Power Factor		0.00	0.90	0.93	0.94	
Foundation loads						
Max. traction : 135 lb						
Max. compression : 257 lb						
Bearing type :		<u>Drive end</u>		<u>Non drive end</u>		
Sealing :		6209 ZZ		6206 ZZ		
Lubrication interval :		Without Bearing Seal		Without Bearing Seal		
Lubricant amount :		0 h		0 h		
Lubricant type :		0 g		0 g		
Mobil Polyrex EM						
Notes						
This revision replaces and cancel the previous one, which must be eliminated. (1) Looking the motor from the shaft end. (2) Measured at 1m and with tolerance of +3dB(A). (3) Approximate weight subject to changes after manufacturing process. (4) At 100% of full load.			These are average values based on tests with sinusoidal power supply, subject to the tolerances stipulated in NEMA MG-1.			
Rev.	Changes Summary			Performed	Checked	Date
Performed by						
Checked by					Page	Revision
Date	06/11/2023				1 / 1	

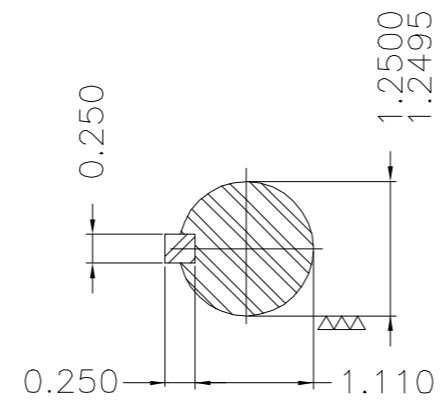
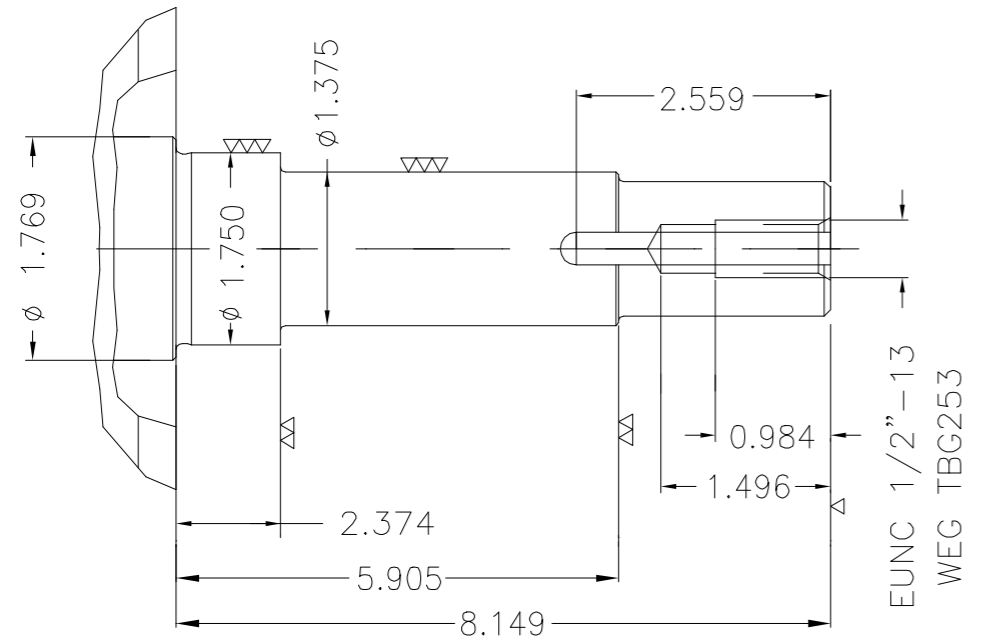
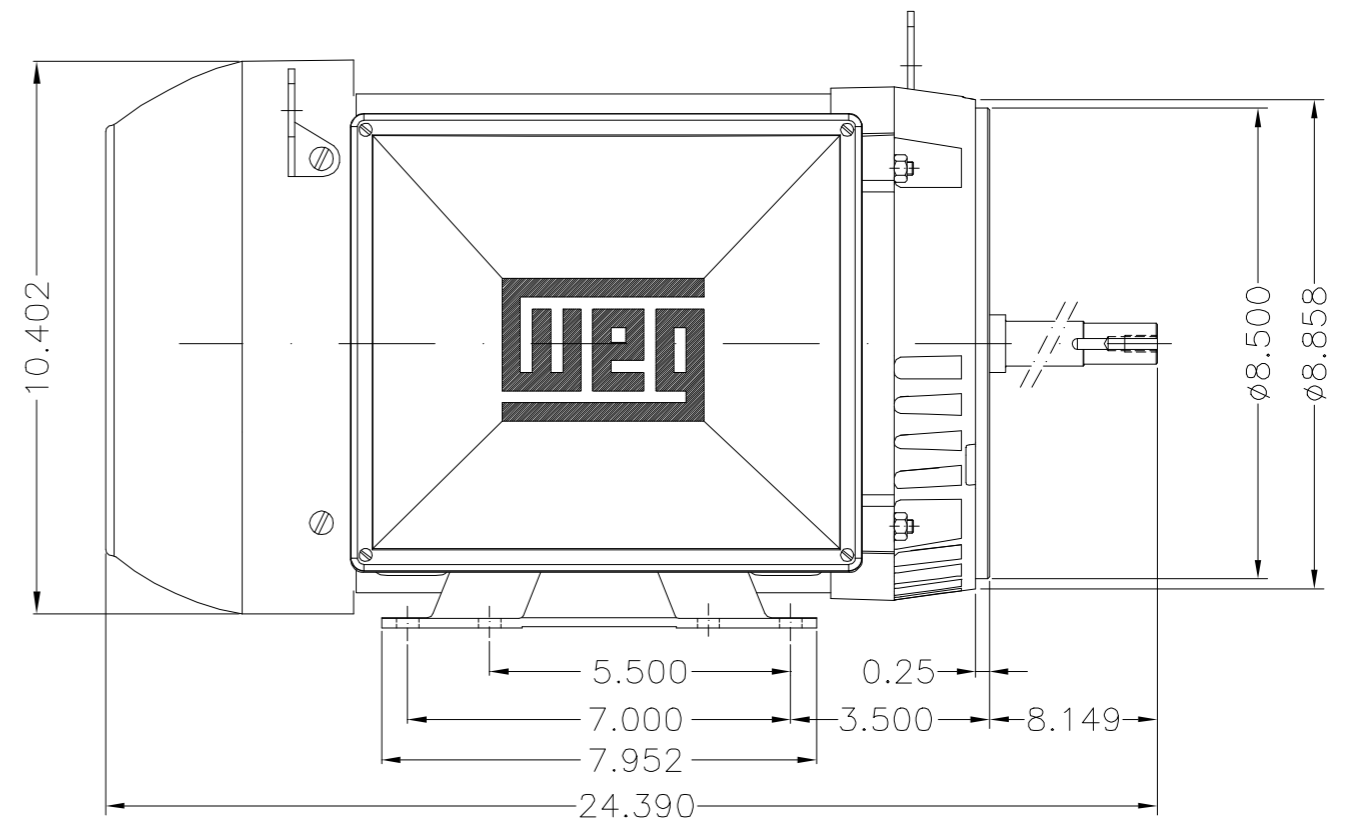
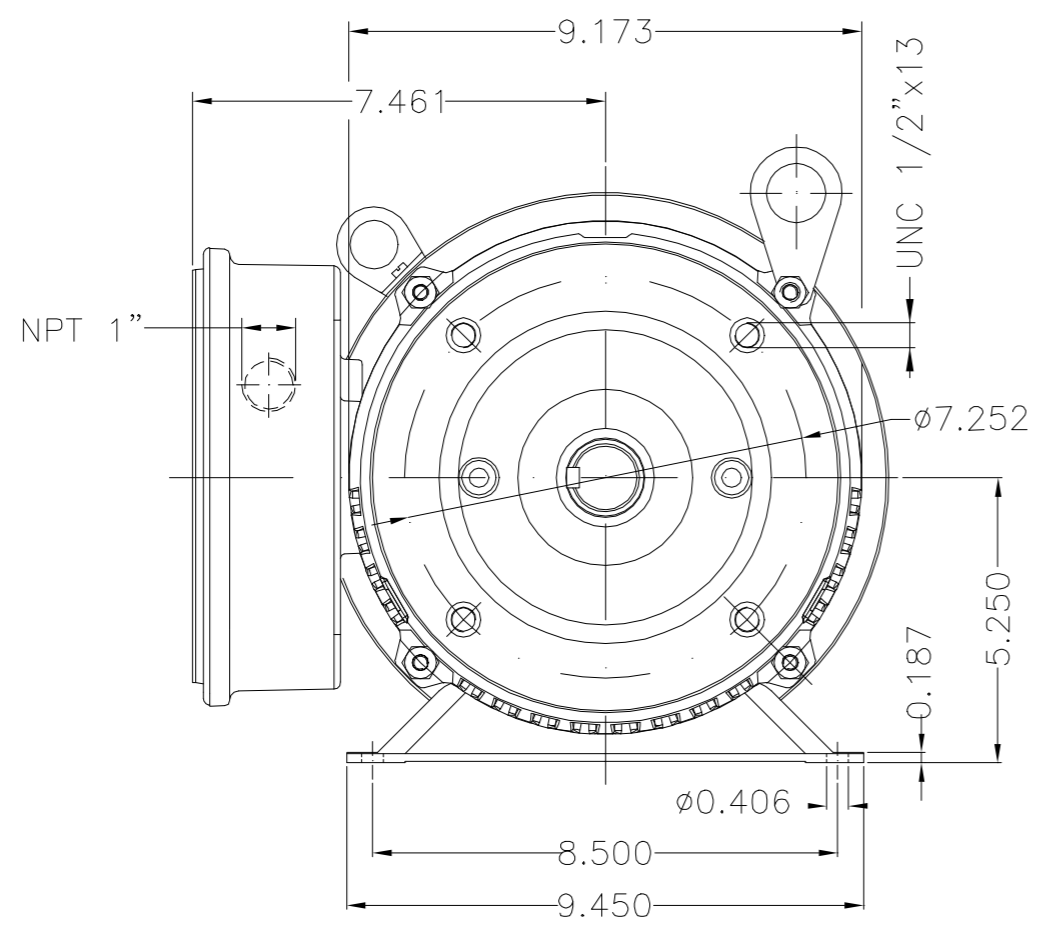
No reproduction of this drawing is allowed without written permission of WEG Motores

EIXO	
PADRÃO	
OPCIONAL	
ESPECIAL	X

Dimensões em polegadas
Dimensions in inches

THIS IS AN UPDATED REVISION, THE PREVIOUS ONE MUST BE DISREGARDED.

A
B
C
D
E



Fator de serviço 1.15 / Service factor 1.15						
Forma construtiva F-1 (B34D) / Mounting F-1						
WEG ELECTRIC CORP.						
500000863926		ADC. COTA NO FLANGE	PATRICKL	RICLAV	05.03.2014	03
500000852938		ALT. CONFORME 413320699	PATRICKL	JTOGNERI	05.02.2014	02
ECM	LOC	SUMMARY OF MODIFICATIONS	EXECUTED	CHECKED	RELEASED	DATE VER
EXECUTED	PATRICKL	 SINGLE PHASE MOTOR FRAME 213/5JP IP21 ODP				
CHECKED						
RELEASED	EMERSONRH					
REL DT	01.11.2013	WMO	JARAGUA DO SUL	ENGENHARIA DE PRODUTO	10002560172	
				000	03	
				SHEET 1 / 1		

10 HP 02 Poles 60Hz 413072259/01

UNCONTROLLED COPY RELEASED ZME A3