

DATA SHEET



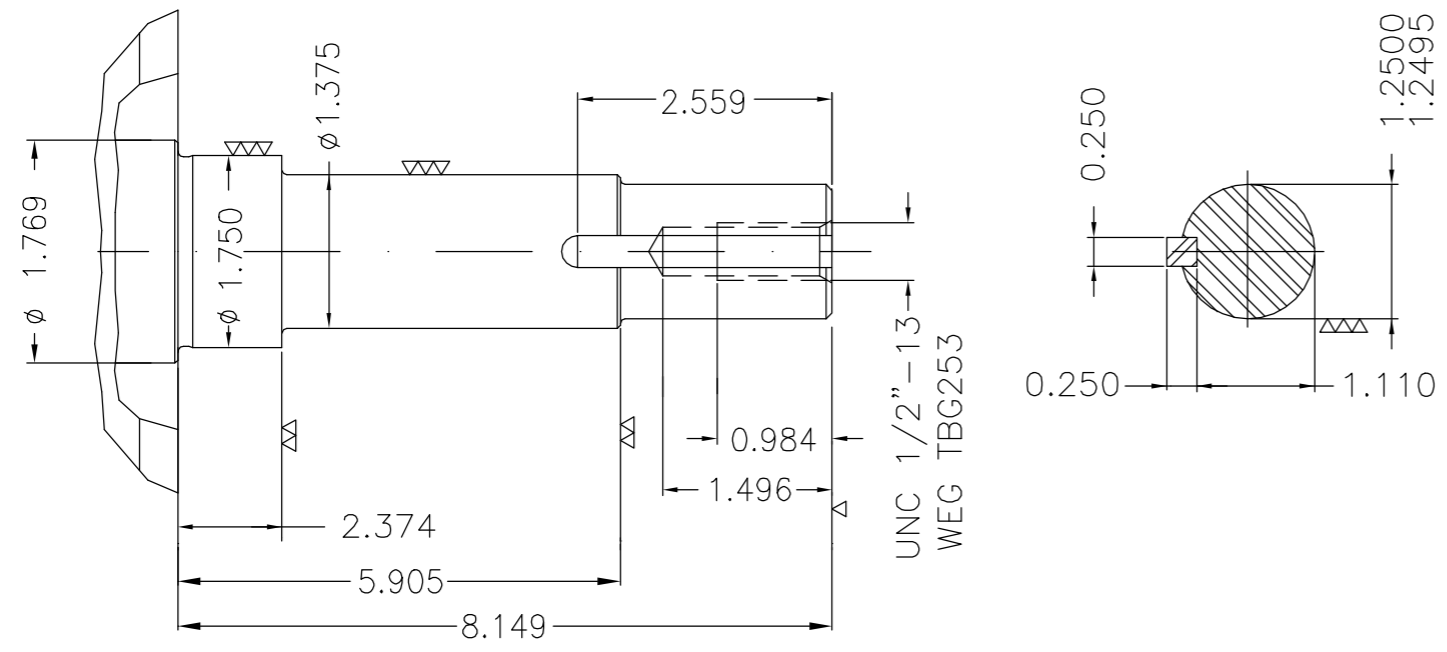
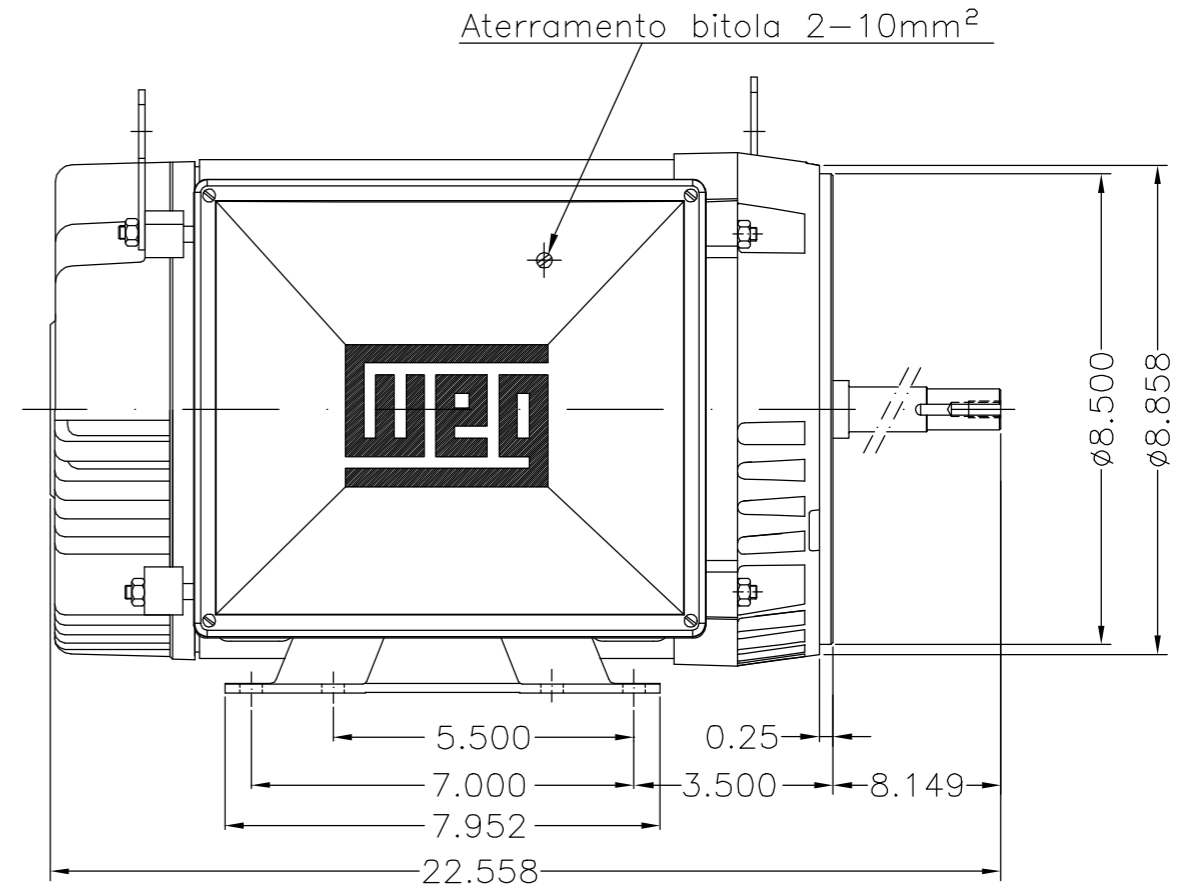
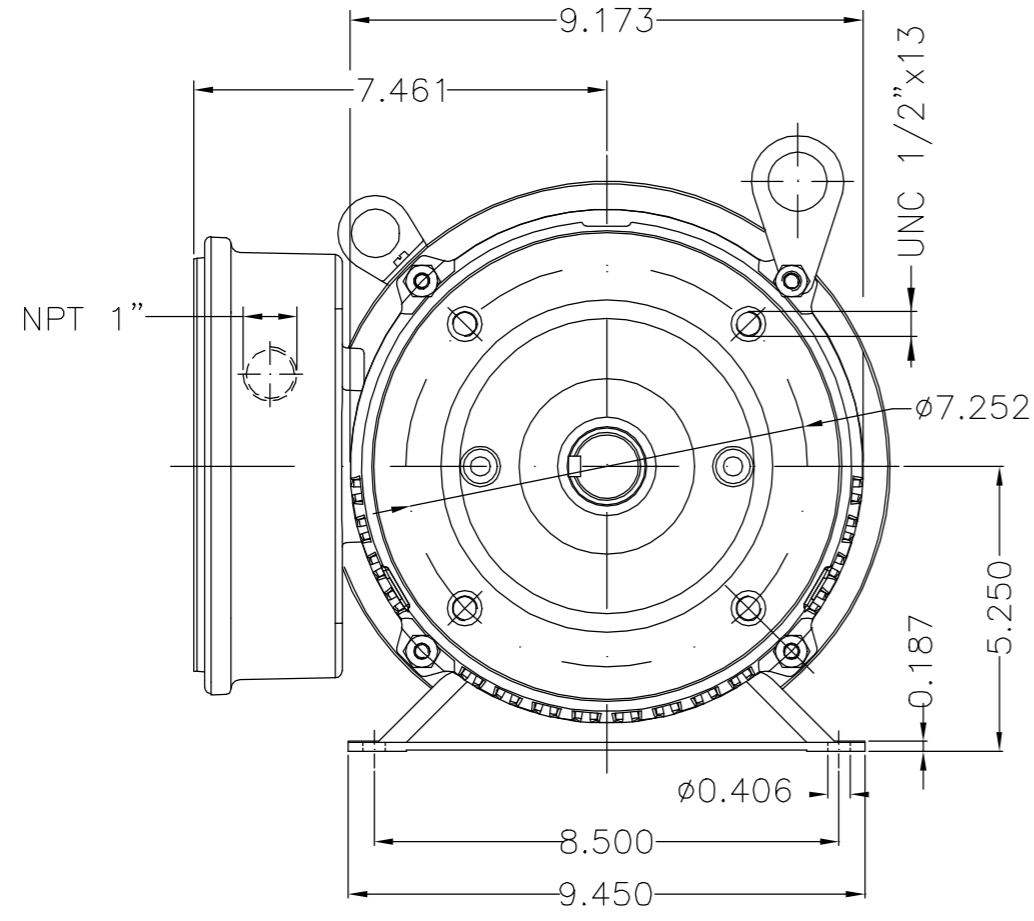
Single Phase Induction Motor - Squirrel Cage

Customer :						
Product line : Close Coupled Pump Single-Phase		Product code : 12724365		Catalog # : 00736OS1C213JP		
Frame : 213/5JP	Output : 7.5 HP (5.5 kW)	Poles : 2	Frequency : 60 Hz	Rated voltage : 208-230 V		
Rated current : 32.0-30.1 A	L. R. Amperes : 256-241 A	LRC : 8.0x(Code H)	No load current : 0.000-8.00 A	Rated speed : 3510 rpm		
Slip : 2.50 %	Rated torque : 11.2 ft.lb	Locked rotor torque : 220 %	Breakdown torque : 229 %	Insulation class : F		
Service factor : 1.15	Moment of inertia (J) : 0.4271 sq.ft.lb	Locked rotor time : 10s (cold) 6s (hot)	Temperature rise : 80 K	Duty cycle : Cont.(S1)		
		Ambient temperature : -20°C to +40°C	Altitude : 1000 m.a.s.l.	Protection degree : IP21		
		Cooling method : IC01 - ODP	Mounting : F-1	Rotation ¹ : CCW		
		Starting method : Direct On Line	Approx. weight ³ : 121 lb			
Output	25%	50%	75%	100%		
Efficiency (%)	0.000	75.5	84.8	85.5		
Power Factor	0.00	0.83	0.90	0.93		
Foundation loads						
Max. traction : 85 lb						
Max. compression : 206 lb						
Bearing type :	<u>Drive end</u> 6209 ZZ		<u>Non drive end</u> 6206 ZZ			
Sealing :	Without Bearing Seal		Without Bearing Seal			
Lubrication interval :	0 h		0 h			
Lubricant amount :	0 g		0 g			
Lubricant type :	Mobil Polyrex EM					
Notes						
This revision replaces and cancel the previous one, which must be eliminated. (1) Looking the motor from the shaft end. (2) Measured at 1m and with tolerance of +3dB(A). (3) Approximate weight subject to changes after manufacturing process. (4) At 100% of full load.			These are average values based on tests with sinusoidal power supply, subject to the tolerances stipulated in NEMA MG-1.			
Rev.	Changes Summary			Performed	Checked	Date
Performed by						
Checked by					Page	Revision
Date	06/11/2023				1 / 1	

No reproduction of this drawing is allowed without written permission of WEG Motores

EIXO	
PADRÃO	X
OPCIONAL	
ESPECIAL	

THIS IS AN UPDATED REVISION, THE PREVIOUS ONE MUST BE DISREGARDED.



Embalagem - engradado / Packing - crate						
Forma construtiva F-1 (B34D) / Mounting F-1						
Fator de serviço 1.15 / Service factor 1.15						
WEG ELECTRIC CORP.						
500001470403		ALTERADO CONFORME CLAIM 415105371	PKREYSSIG	CLEBERP	CLEBERP	27.06.2018 04
500000867612		ADC. ATERRAMENTO NA CAIXA	PATRICKL	RICLAV	RICLAV	14.03.2014 03
ECM	LOC	SUMMARY OF MODIFICATIONS	EXECUTED	CHECKED	RELEASED	DATE VER
EXECUTED	PATRICKL	SINGLE PHASE MOTOR FRAME 213/5JP IP21	10002654307			
CHECKED	JTOGNERI		000	04		
RELEASED	JTOGNERI					
REL DT	13.01.2014	WMO	JARAGUA DO SUL	ENGENHARIA DE PRODUTO	SHEET	1 / 1

7.5 HP 2 Poles 60Hz 413276787/01

UNCONTROLLED COPY

RELEASED

ZME A3