



Technical Data - Pump

Vertical Multistage Pump Nema - SBN 64-3

Revision no.

Page:
 1

Company name
 Respons. Department
 Person in charge
 Phone number
 Fax no
 E-mail address

Receiver

From

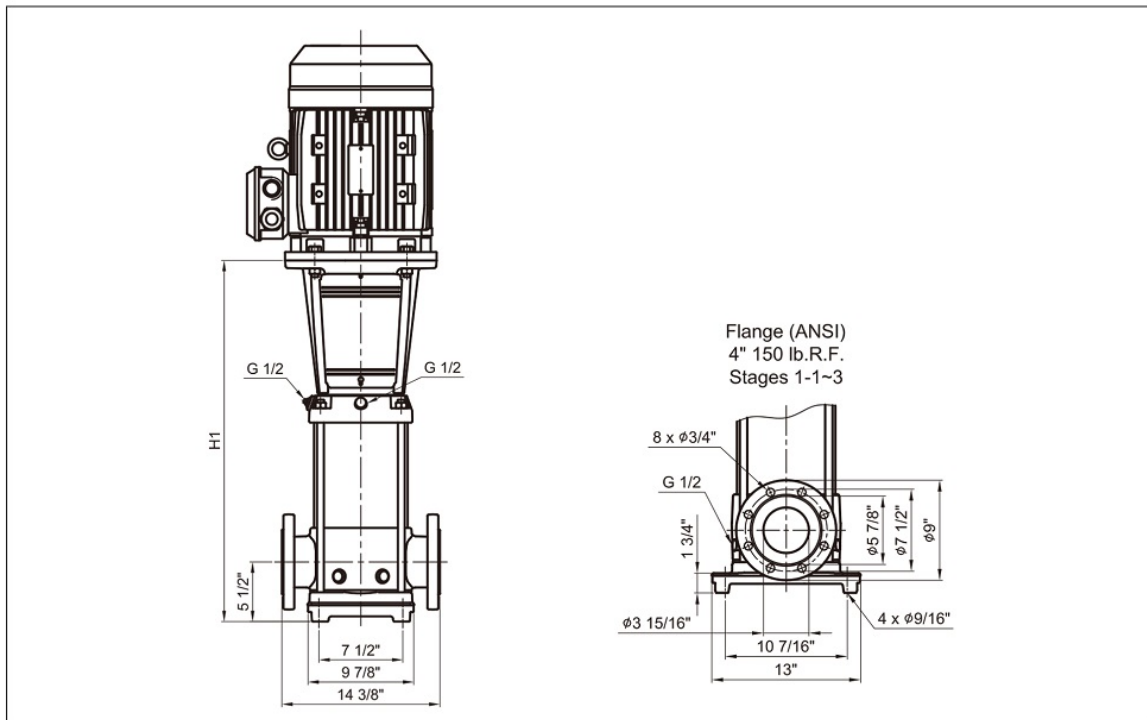


Pump Brand: Gol Pumps
Model: SBN 64-3

Motor Brand: WEG
Model: 04036OT3E286TSC-W40



Pump Dimensions:



Pump Installation Size (inch)				
ANSI Flange	Port Size		NEMA Frame TEFC motors	Net Weight
	DNA	DNM		Lb.
H1	4	4	284/6TSC	155.9

Project	Project ID	Created by	Created on	Last update
---------	------------	------------	------------	-------------



Performance Curves

Vertical Multistage Pump Nema - SBN 64-3

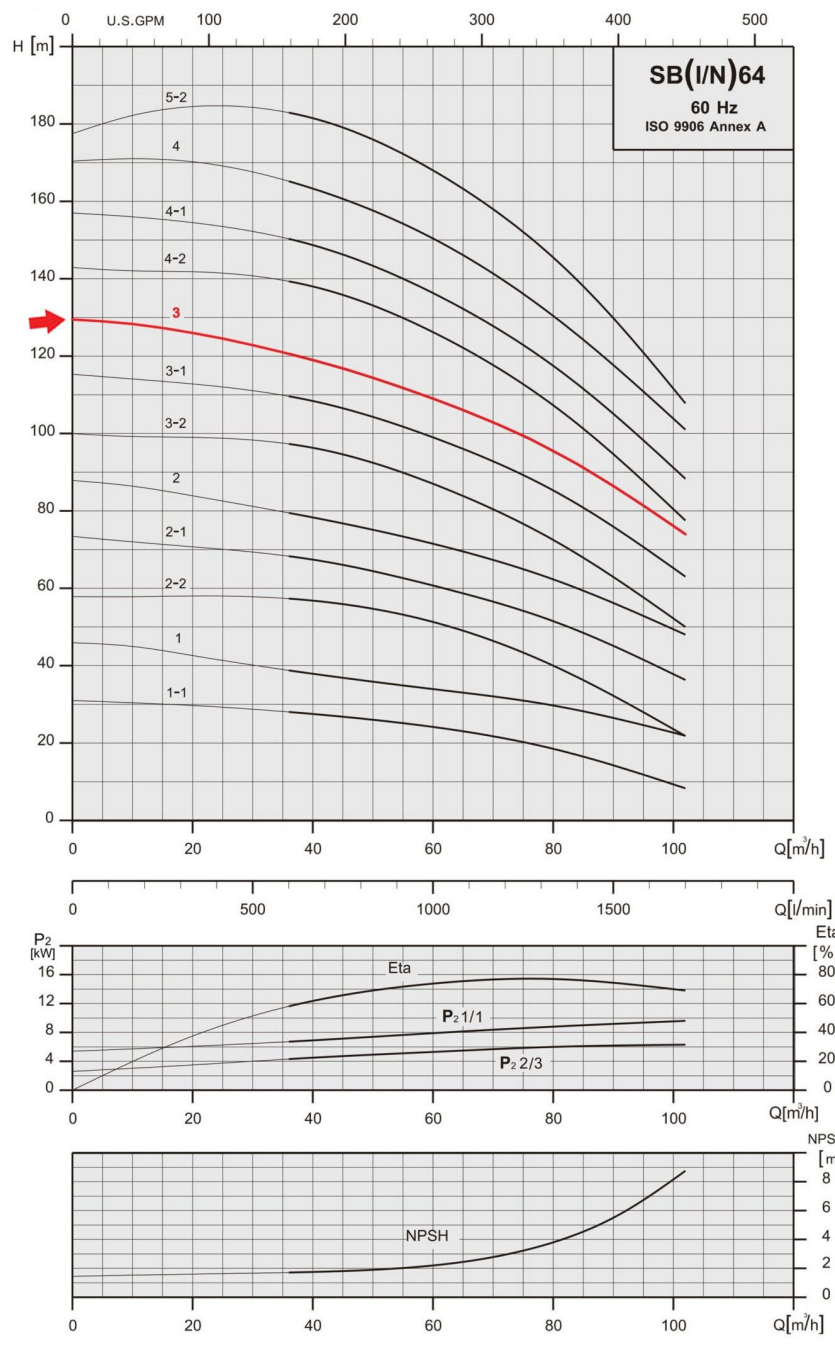
Revision no.

Page:
 2

Receiver	From

Company name
 Respons. Department
 Person in charge
 Phone number
 Fax no
 E-mail address

Model	Port Size (in.)		Flow	HP	Volts	Amps	Phase	Max. Head	Max. Suction	Max. PSI
	DNA	DNM	GPH		V	I Max.	Ph	Ft.	Ft.	
SBN 64-3	4	4	27000	40	230/460	93.7/46.8	Three	426	17	188



Project	Project ID	Created by	Created on	Last update
---------	------------	------------	------------	-------------



Parts and Materials

Vertical Multistage Pump Nema - SBN 64-3

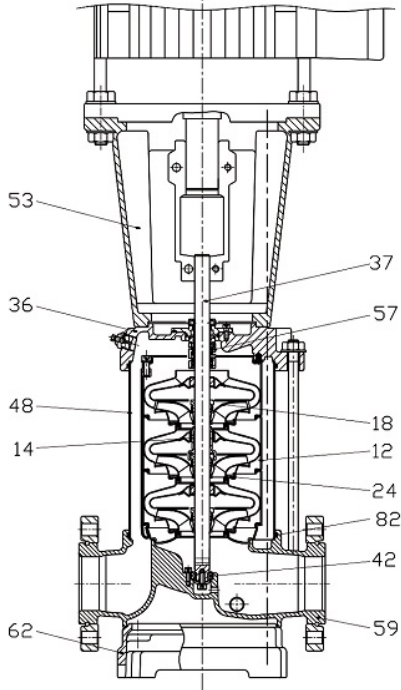
Revision no.

Page:
 3

Receiver

From

Company name
 Respons. Department
 Person in charge
 Phone number
 Fax no
 E-mail address



Parts List	Material	Standard
36 Pump Head	Stainless Steel	AISI 316
53 Motor Bracket	Cast Iron	ASTM 35B
18 Impeller	Stainless Steel	AISI 316
37 Shaft	Stainless Steel	AISI 316
48 Outer Sleeve	Stainless Steel	AISI 316
82 O-ring for Outer Sleeve	EPDM	
12 Chamber	Stainless Steel	AISI 316
24 Neck Ring	Carbon Fiber + POB + PTFE	
59 Base	Stainless Steel	AISI 316
62 Base Plate	Cast Iron	ASTM 35B
57 Mechanical Seal	Cartridge Type	
14 Bearing Ring	POB + Graphite + PTFE	
42 Bottom Bearing Ring	Tungsten Carbide	

Project	Project ID	Created by	Created on	Last update
---------	------------	------------	------------	-------------



Technical Data - Motor

Vertical Multistage Pump Nema - SBN 64-3

Revision no. _____

Page: 4

	Receiver	From
Company name		
Respons. Department		
Person in charge		
Phone number		
Fax no		
E-mail address		

Product line : W40 NEMA Premium Efficiency Three-Phase Product code : 14496989
 Catalog # : 04036OT3E286TSC-W40

Frame : 284/6TSC Output : 40 HP (30 kW) Poles : 2 Frequency : 60 Hz Rated voltage : 230/460 V Rated current : 93.7/46.8 A L. R. Amperes : 609/304 A LRC : 6.5x(Code G) No load current : 30.8/15.4 A Rated speed : 3540 rpm Slip : 1.67 % Rated torque : 59.3 ft.lb Locked rotor torque : 190 % Breakdown torque : 240 % Insulation class : F Service factor : 1.25 Moment of inertia (J) : 2.02 sq.ft.lb Design : B	Locked rotor time : 14s (cold) 8s (hot) Temperature rise : 80 K Duty cycle : Cont.(S1) Ambient temperature : -20°C to +40°C Altitude : 1000 m.a.s.l. Protection degree : IP23 Cooling method : IC01 - ODP Mounting : F-1 Rotation ¹ : Both (CW and CCW) Noise level ² : 73.0 dB(A) Starting method : Direct On Line Approx. weight ³ : 346 lb
---	---

Output	25%	50%	75%	100%	Foundation loads
Efficiency (%)	91.5	91.7	92.4	92.4	Max. traction
Power Factor	0.51	0.76	0.84	0.87	Max. compression

	Drive end	Non drive end
Bearing type :	6311 Z C3	6211 Z C3
Sealing :	Without Bearing Seal	Without Bearing Seal
Lubrication interval :	20000 h	20000 h
Lubricant amount :	18 g	11 g
Lubricant type :	Mobil Polyrex EM	

Notes:
 USABLE @208V 104A SF 1.15 SFA 119A

This revision replaces and cancel the previous one, which must be eliminated.
 (1) Looking the motor from the shaft end.
 (2) Measured at 1m and with tolerance of +3dB(A).
 (3) Approximate weight subject to changes after manufacturing process.
 (4) At 100% of full load.

These are average values based on tests with sinusoidal power supply, subject to the tolerances stipulated in NEMA MG-1.

Project	Project ID	Created by	Created on	Last update



Dimensions and Nameplate

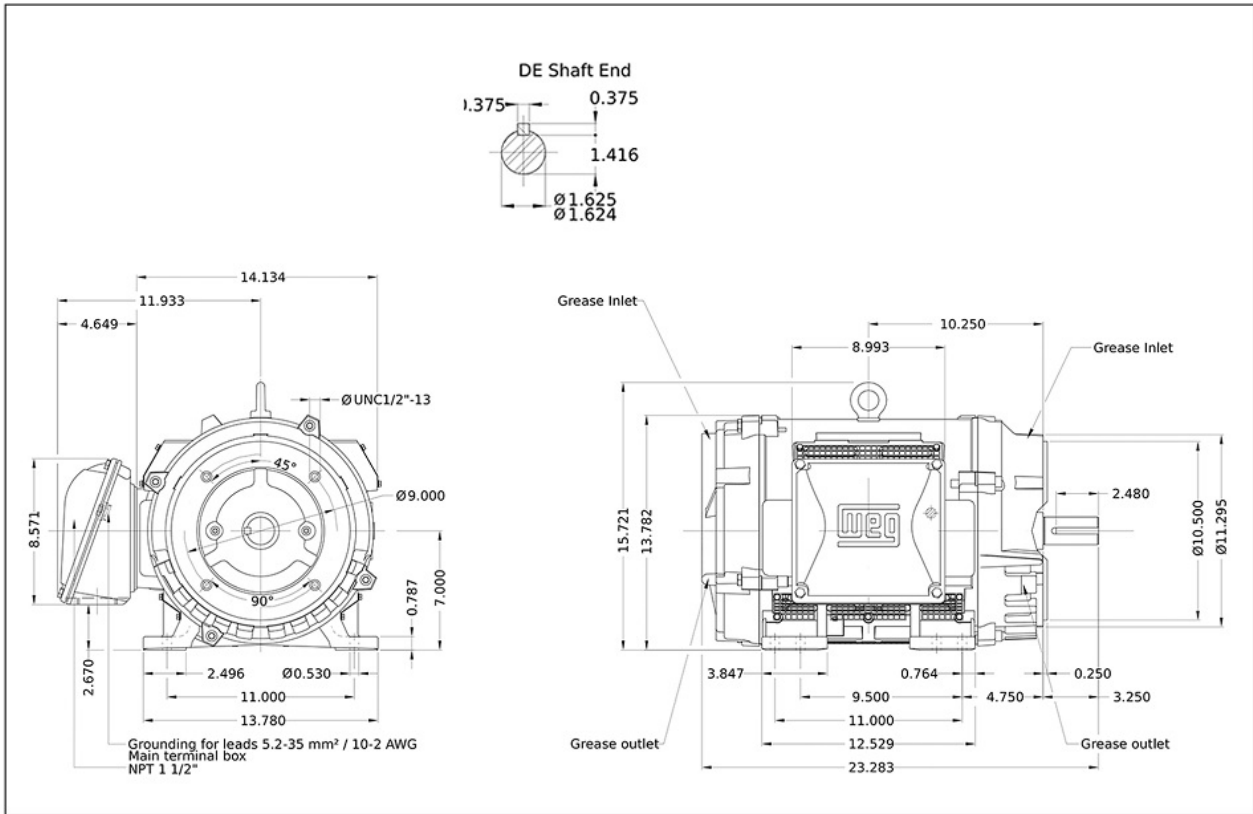
Vertical Multistage Pump Nema - SBN 64-3

Revision no. _____

Page: 5

	Receiver	From
Company name		
Respons. Department		
Person in charge		
Phone number		
Fax no		
E-mail address		

Motor Dimensions:



Motor Nameplate:



MODEL 040360T3E286TSC-W40

Inverter Duty Motor
 IEC 60034-1

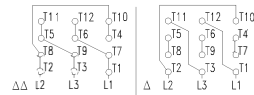
60Hz: For use on PWM: VT 1000:1, CT 3:1, 1.00SF



MADE IN BRAZIL
14496989

PH3 Fr. 284/6TSC DUTY CONT. ODP(IC01) IP23 DES B(N) Code G
 346lb 1000m.a.s.l. INS cl. F DT 80K AMB 40°C SF 1.00//1.25

V	Hz	kW	HP	RPM	A	SFA	PF	IE code	NEMA NOM EFF			
230ΔΔ	460Δ	60	30	40	3540	93.7	46.8	117	58.5	0.87	IE3	92.4/92.4/91.7
380Δ	50	22	30	2950	41.9	—	41.9	—	—	0.86	IE3	92.8/91.4/90.0
—	—	—	—	—	—	—	—	—	—	—	—	—



6311-Z-C3 (18g)

6211-Z-C3 (11g)

MOBIL POLYREX EM (20000h)

Project	Project ID	Created by	Created on	Last update
---------	------------	------------	------------	-------------