



## Technical Data - Pump

### Vertical Multistage Pump Nema - SBN 45-7

Revision no.

Page:  
 1

	Receiver	From
Company name		
Respons. Department		
Person in charge		
Phone number		
Fax no		
E-mail address		

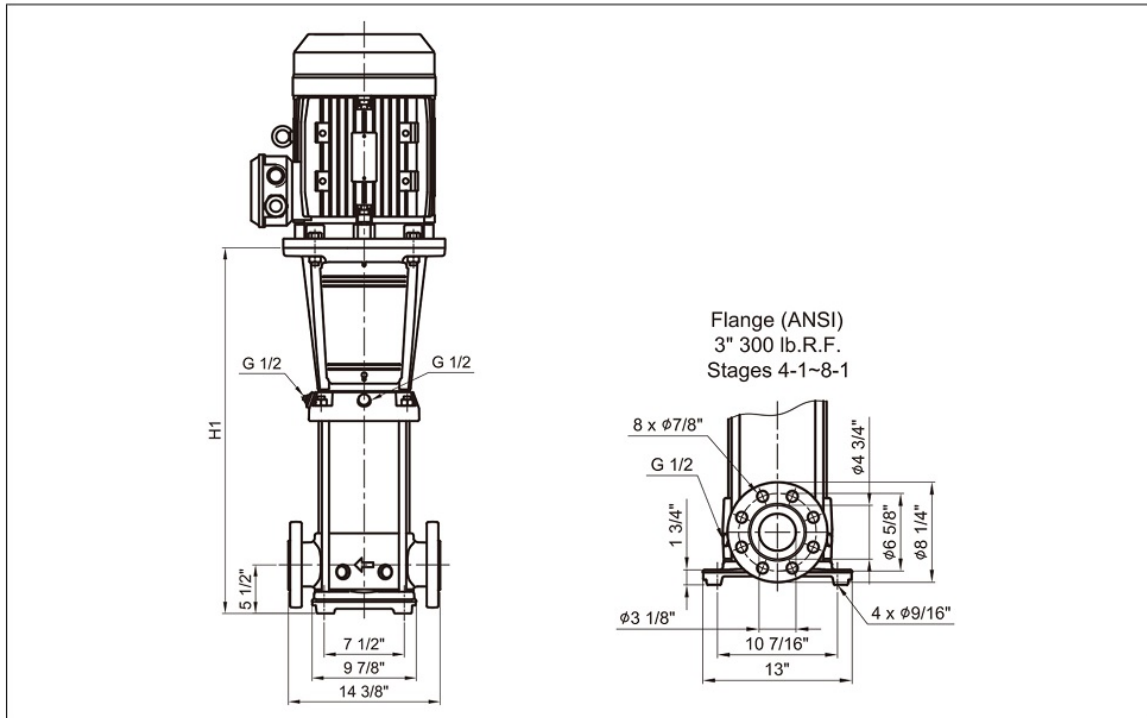


**Pump Brand: Gol Pumps**  
**Model: SBN 45-7**

**Motor Brand: WEG**  
**Model: 06036ET3E364TSC-W22**



### Pump Dimensions:



Pump Installation Size (inch)				
ANSI Flange	Port Size		NEMA Frame TEFC motors	Net Weight
	DNA	DNM		Lb.
H1	3	3	364/5TSC	213.9

Project	Project ID	Created by	Created on	Last update
---------	------------	------------	------------	-------------



# Performance Curves

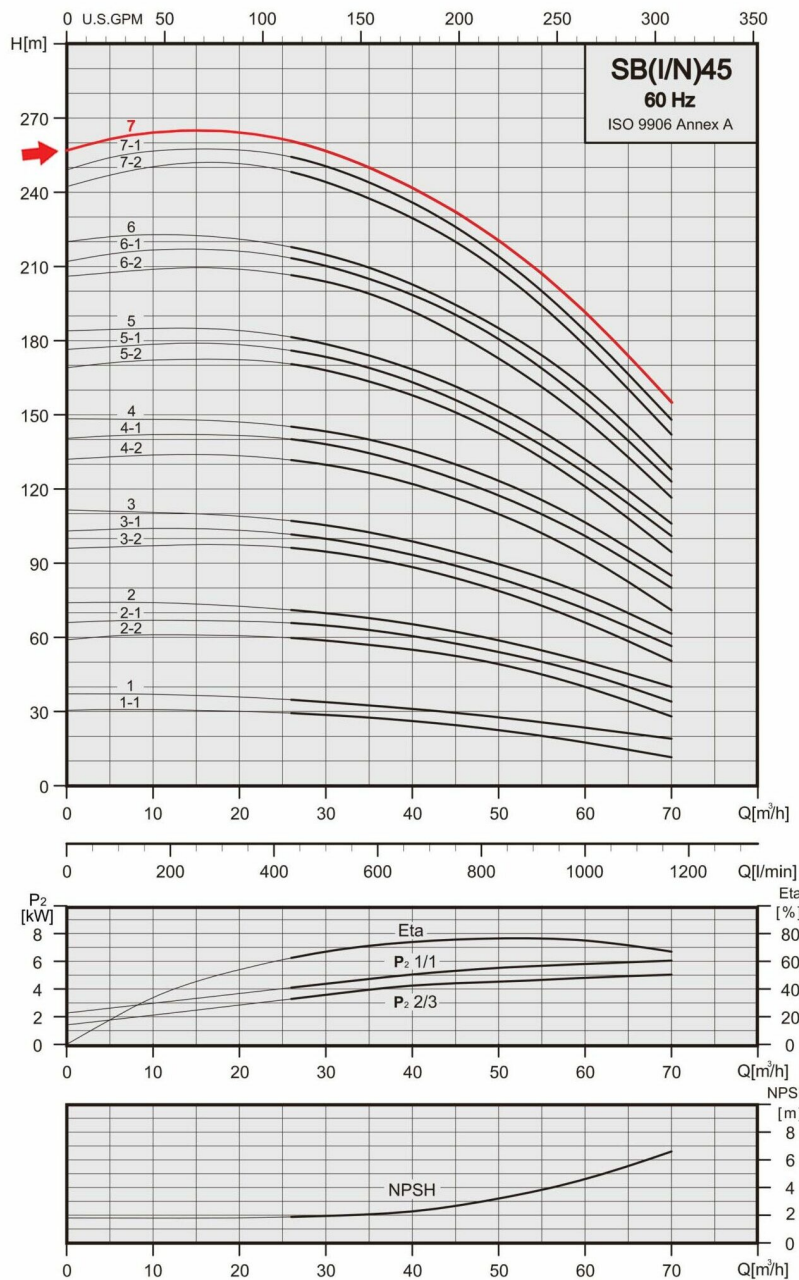
## Vertical Multistage Pump Nema - SBN 45-7

Revision no. \_\_\_\_\_  
 Page: 2

Receiver	From

Company name  
 Respons. Department  
 Person in charge  
 Phone number  
 Fax no  
 E-mail address

Model	Port Size (in.)		Flow	HP	Volts	Amps	Phase	Max. Head	Max. Suction	Max. PSI
	DNA	DNM	GPH		V	I Max.	Ph	Ft.	Ft.	
<b>SBN 45-7</b>	3	3	18600	60	230/460	134/67.0	Three	869	17	380



Project	Project ID	Created by	Created on	Last update
---------	------------	------------	------------	-------------



## Parts and Materials

### Vertical Multistage Pump Nema - SBN 45-7

Revision no.

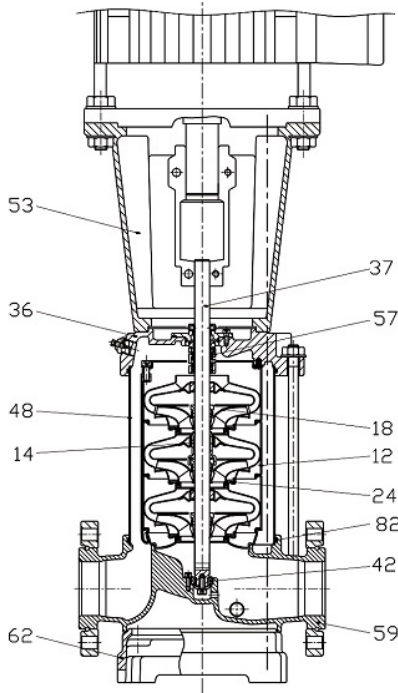
Page:  
 3

Receiver

From

Company name  
 Respons. Department  
 Person in charge  
 Phone number  
 Fax no  
 E-mail address





Parts List	Material	Standard
36 Pump Head	Stainless Steel	AISI 316
53 Motor Bracket	Cast Iron	ASTM 35B
18 Impeller	Stainless Steel	AISI 316
37 Shaft	Stainless Steel	AISI 316
48 Outer Sleeve	Stainless Steel	AISI 316
82 O-ring for Outer Sleeve	EPDM	
12 Chamber	Stainless Steel	AISI 316
24 Neck Ring	Carbon Fiber + POB + PTFE	
59 Base	Stainless Steel	AISI 316
62 Base Plate	Cast Iron	ASTM 35B
57 Mechanical Seal	Cartridge Type	
14 Bearing Ring	POB + Graphite + PTFE	
42 Bottom Bearing Ring	Tungsten Carbide	

Project	Project ID	Created by	Created on	Last update
---------	------------	------------	------------	-------------



## Technical Data - Motor

### Vertical Multistage Pump Nema - SBN 45-7

Revision no. \_\_\_\_\_

Page: 4

Receiver \_\_\_\_\_ From \_\_\_\_\_

Company name \_\_\_\_\_  
 Respons. Department \_\_\_\_\_  
 Person in charge \_\_\_\_\_  
 Phone number \_\_\_\_\_  
 Fax no \_\_\_\_\_  
 E-mail address \_\_\_\_\_

\_\_\_\_\_

\_\_\_\_\_

Product line : W22 NEMA Premium Efficiency Three-Phase  
 Product code : 12275877  
 Catalog # : 06036ET3E364TSC-W22

Frame : 364/5TSC Insulation class : F Duty cycle : Cont.(S1) Ambient temperature : -20°C to +40°C Altitude : 1000 m.a.s.l. Protection degree : IP55 Design : B	Cooling method : IC411 - TEFC Mounting : F-1 Rotation <sup>1</sup> : Both (CW and CCW) Starting method : Direct On Line Approx. weight <sup>9</sup> : 876 lb Moment of inertia (J) : 10.6 sq.ft.lb
--	---

Output [HP]	60	50
Poles	2	2
Frequency [Hz]	60	50
Rated voltage [V]	230/460	380
Rated current [A]	134/67.0	67.4
L. R. Amperes [A]	884/442	431
LRC [A]	6.6x(Code G)	6.4x(Code G)
No load current [A]	32.0/16.0	15.8
Rated speed [RPM]	3555	2955
Slip [%]	1.25	1.50
Rated torque [ft.lb]	88.6	88.9
Locked rotor torque [%]	200	190
Breakdown torque [%]	260	250
Service factor	1.25	1.00
Temperature rise	80 K	80 K
Locked rotor time	25s (cold) 14s (hot)	21s (cold) 12s (hot)
Noise level <sup>2</sup>	79.0 dB(A)	74.0 dB(A)
Efficiency (%)	25%	91.0
	50%	91.7
	75%	93.0
	100%	93.6
Power Factor	25%	0.59
	50%	0.81
	75%	0.88
	100%	0.90

Losses at normative operating points (speed;torque), in percentage of rated output power

Losses (%)	P1 (0,9;1,0)	6.3	6.3
	P2 (0,5;1,0)	4.7	4.7
	P3 (0,25;1,0)	4.4	4.4
	P4 (0,9;0,5)	3.3	3.3
	P5 (0,5;0,5)	1.7	1.7
	P6 (0,5;0,25)	1.1	1.1
	P7 (0,25;0,25)	0.6	0.6

	<u>Drive end</u>	<u>Non drive end</u>	
Bearing type :	6314 C3	6314 C3	Foundation loads
Sealing :	WSeal	WSeal	Max. traction : 476 lb
Lubrication interval :	4000 h	4000 h	Max. compression : 1352 lb
Lubricant amount :	27 g	27 g	
Lubricant type :	Mobil Polyrex EM		

This revision replaces and cancel the previous one, which must be eliminated.  
 (1) Looking the motor from the shaft end.  
 (2) Measured at 1m and with tolerance of +3dB(A).

These are average values based on tests with sinusoidal power supply, subject to the tolerances stipulated in NEMA MG-1.

Project	Project ID	Created by	Created on	Last update
---------	------------	------------	------------	-------------



# Dimensions and Nameplate

## Vertical Multistage Pump Nema - SBN 45-7

Revision no.

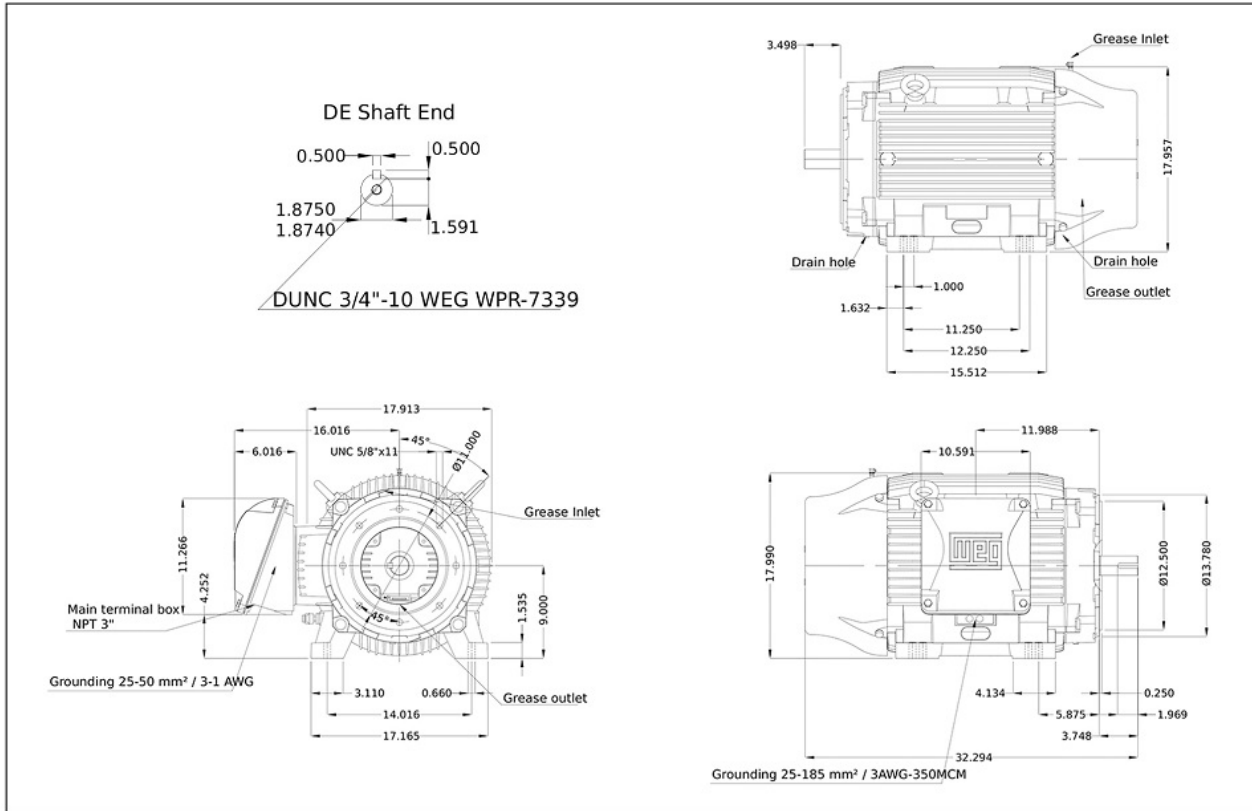
Page:  
5

Receiver

From

Company name  
Respons. Department  
Person in charge  
Phone number  
Fax no  
E-mail address

### Motor Dimensions:



### Motor Nameplate:



MODEL 06036ET3E364TSC-W22

MADE IN MEXICO  
12275877

Inverter Duty Motor  
Severe Duty

PH3 60Hz Fr. 364/STSC 1000m.a.s.l. IP55 TEFC 876lb  
V 230/460 A 134/67.0  
HP 60 kW 45  
SF 1.25 SFA 168/83.8  
RPM 3555 PF 0.90  
AMB 40°C INS cl. F DT80K NEMA NOM EFF 93.6%  
DUTY CONT. DES B Code G

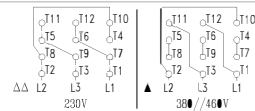
60HP 45kW 50Hz 380V 83.1A 2935RPM SF 1.00 EFF 92.4% (IE1)



FOR SAFE AREA  
Mod. TC16FOXON  
CC029A



For use on 60Hz  
Class I, Div 2, Gr. A, B, C and D - T3  
Class I, Zone 2, IIC - T3  
Class II, Div 2, Gr. F and G - T4  
For use on PWM: Gr. A, B, C, D and F,  
VT 1000:1, CT 20:1, 1.00SF - T3A



6314-C3 (27g)

6314-C3 (27g)

MOBIL POLYREX EM (4000h)

Project

Project ID

Created by

Created on

Last update