



Technical Data - Pump

Vertical Multistage Pump Nema - SBN 150-2

Revision no.

Page:
 1

| | Receiver | From |
|---------------------|----------|------|
| Company name | | |
| Respons. Department | | |
| Person in charge | | |
| Phone number | | |
| Fax no | | |
| E-mail address | | |

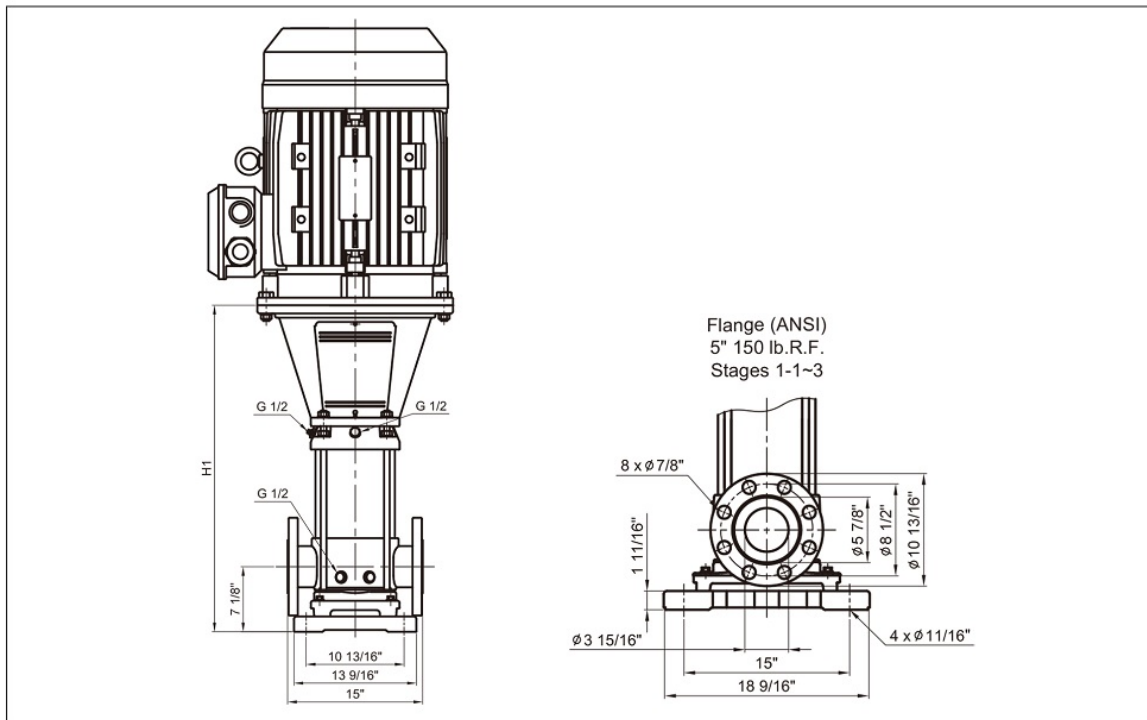


Pump Brand: Gol Pumps
Model: SBN 150-2

Motor Brand: WEG
Model: 06036ET3E364TSC-W22



Pump Dimensions:



| Pump Installation Size (inch) | | | | |
|-------------------------------|-----------|-----|---------------------------|------------|
| ANSI Flange | Port Size | | NEMA Frame TEFC motors | Net Weight |
| | DNA | DNM | | Lb. |
| H1 | 5 | 5 | 364/5TSC | 288.2 |

| | | | | |
|---------|------------|------------|------------|-------------|
| Project | Project ID | Created by | Created on | Last update |
|---------|------------|------------|------------|-------------|



Performance Curves

Vertical Multistage Pump Nema - SBN 150-2

Revision no.

Page:
2

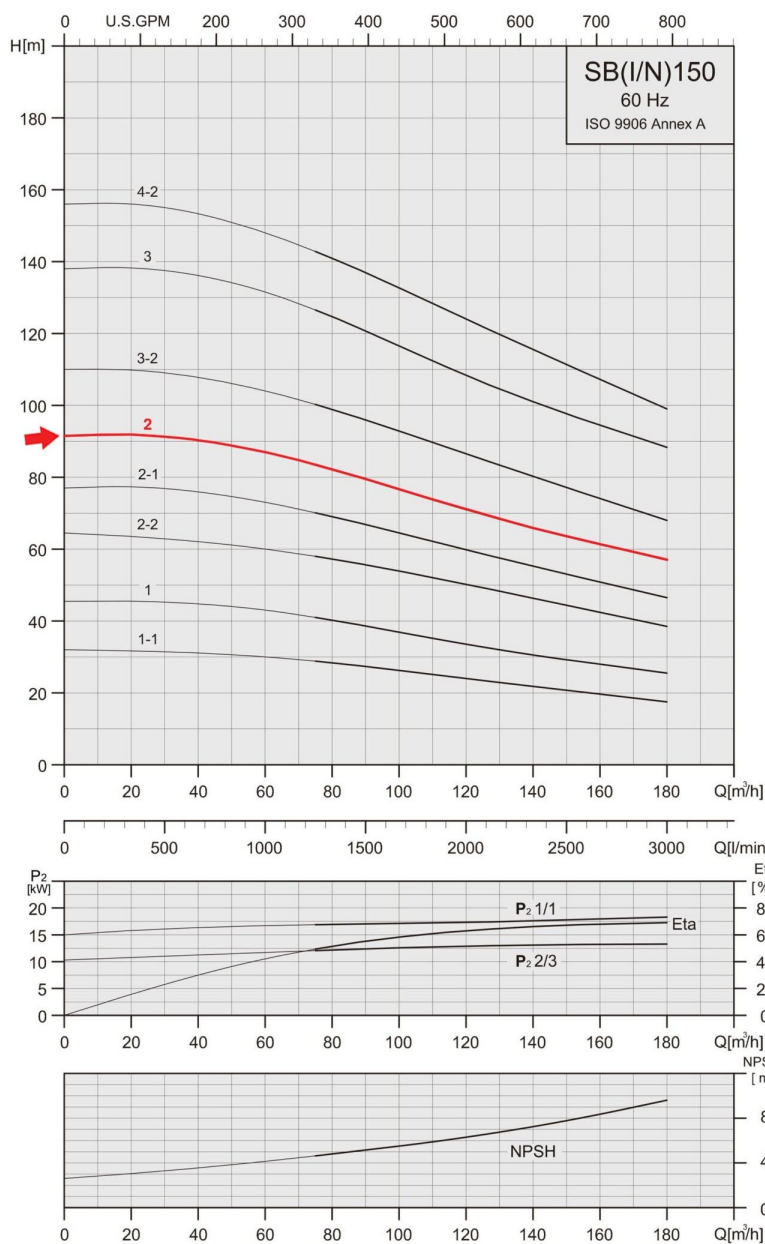
Receiver

From

Company name
Respons. Department
Person in charge
Phone number
Fax no
E-mail address

| | |
|--|--|
| | |
|--|--|

| Model | Port Size (in.) | | Flow | HP | Volts | Amps | Phase | Max. Head | Max. Suction | Max. PSI |
|------------------|-----------------|-----|-------|----|---------|--------|-------|-----------|--------------|----------|
| | DNA | DNM | GPH | | V | I Max. | Ph | Ft. | Ft. | |
| SBN 150-2 | 5 | 5 | 47700 | 60 | 230/460 | 134/67 | Three | 305 | 17 | 133 |



| | | | | |
|---------|------------|------------|------------|-------------|
| Project | Project ID | Created by | Created on | Last update |
|---------|------------|------------|------------|-------------|



Parts and Materials

Vertical Multistage Pump Nema - SBN 150-2

Revision no.

Page:

3

Receiver

From

 Company name
 Respons. Department
 Person in charge
 Phone number
 Fax no
 E-mail address

| | Parts List | Material | Standard |
|--|----------------------------|-----------------|-----------------|
| | 36 Pump Head | Stainless Steel | AISI 316 |
| | 53 Motor Bracket (15~60HP) | Cast Iron | ASTM 35B |
| | (75~100HP) | Cast Iron | ASTM 65-45-12 |
| | 17 Bearing Ring | PTFE | |
| | 18 Impeller | Stainless Steel | AISI 316 |
| | 37 Shaft | Stainless Steel | AISI 316 |
| | 48 Outer Sleeve | Stainless Steel | AISI 316 |
| | 82 O-ring for Outer Sleeve | EPDM | |
| | 12 Chamber | Stainless Steel | AISI 316 |
| | 24 Neck Ring | PTFE | |
| | 59 Base | Stainless Steel | AISI 316 |
| | 62 Base Plate | Cast Iron | ASTM 65-45-12 |
| | 62A Base Plate | Cast Iron | ASTM 65-45-12 |
| | 57 Mechanical Seal | Cartridge Type | |
| | 42 Bottom Bearing Ring | SiC | |

Project

Project ID

Created by

Created on

Last update



Technical Data - Motor

Vertical Multistage Pump Nema - SBN 150-2

Revision no.

Page:
4

| | |
|----------|------|
| Receiver | From |
|----------|------|

| | | | |
|---------------------|--|--|--|
| Company name | | | |
| Respons. Department | | | |
| Person in charge | | | |
| Phone number | | | |
| Fax no | | | |
| E-mail address | | | |

Product line : W22 NEMA Premium Efficiency Three-Phase
 Product code : 12275877
 Catalog # : 06036ET3E364TSC-W22

| | |
|--|---|
| Frame : 364/5TSC Insulation class : F Duty cycle : Cont.(S1) Ambient temperature : -20°C to +40°C Altitude : 1000 m.a.s.l. Protection degree : IP55 Design : B | Cooling method : IC411 - TEFC Mounting : F-1 Rotation ¹ : Both (CW and CCW) Starting method : Direct On Line Approx. weight ³ : 876 lb Moment of inertia (J) : 10.6 sq.ft.lb |
|--|---|

| | | |
|--------------------------|----------------------|----------------------|
| Output [HP] | 60 | 50 |
| Poles | 2 | 2 |
| Frequency [Hz] | 60 | 50 |
| Rated voltage [V] | 230/460 | 380 |
| Rated current [A] | 134/67.0 | 67.4 |
| L. R. Amperes [A] | 884/442 | 431 |
| LRC [A] | 6.6x(Code G) | 6.4x(Code G) |
| No load current [A] | 32.0/16.0 | 15.8 |
| Rated speed [RPM] | 3555 | 2955 |
| Slip [%] | 1.25 | 1.50 |
| Rated torque [ft.lb] | 88.6 | 88.9 |
| Locked rotor torque [%] | 200 | 190 |
| Breakdown torque [%] | 260 | 250 |
| Service factor | 1.25 | 1.00 |
| Temperature rise | 80 K | 80 K |
| Locked rotor time | 25s (cold) 14s (hot) | 21s (cold) 12s (hot) |
| Noise level ² | 79.0 dB(A) | 74.0 dB(A) |
| Efficiency (%) | 25% | 91.0 |
| | 50% | 91.7 |
| | 75% | 93.0 |
| | 100% | 93.6 |
| Power Factor | 25% | 0.59 |
| | 50% | 0.81 |
| | 75% | 0.88 |
| | 100% | 0.90 |

Losses at normative operating points (speed;torque), in percentage of rated output power

| | | | |
|------------|----------------|-----|-----|
| Losses (%) | P1 (0,9;1,0) | 6.3 | 6.3 |
| | P2 (0,5;1,0) | 4.7 | 4.7 |
| | P3 (0,25;1,0) | 4.4 | 4.4 |
| | P4 (0,9;0,5) | 3.3 | 3.3 |
| | P5 (0,5;0,5) | 1.7 | 1.7 |
| | P6 (0,5;0,25) | 1.1 | 1.1 |
| | P7 (0,25;0,25) | 0.6 | 0.6 |

| | | | |
|----------------------|------------------|----------------------|----------------------------|
| | <u>Drive end</u> | <u>Non drive end</u> | |
| Bearing type | 6314 C3 | 6314 C3 | Foundation loads |
| Sealing | WSeal | WSeal | Max. traction : 476 lb |
| Lubrication interval | 4000 h | 4000 h | Max. compression : 1352 lb |
| Lubricant amount | 27 g | 27 g | |
| Lubricant type | Mobil Polyrex EM | | |

This revision replaces and cancel the previous one, which must be eliminated.
 (1) Looking the motor from the shaft end.
 (2) Measured at 1m and with tolerance of +3dB(A).

These are average values based on tests with sinusoidal power supply, subject to the tolerances stipulated in NEMA MG-1.

| | | | | |
|---------|------------|------------|------------|-------------|
| Project | Project ID | Created by | Created on | Last update |
|---------|------------|------------|------------|-------------|



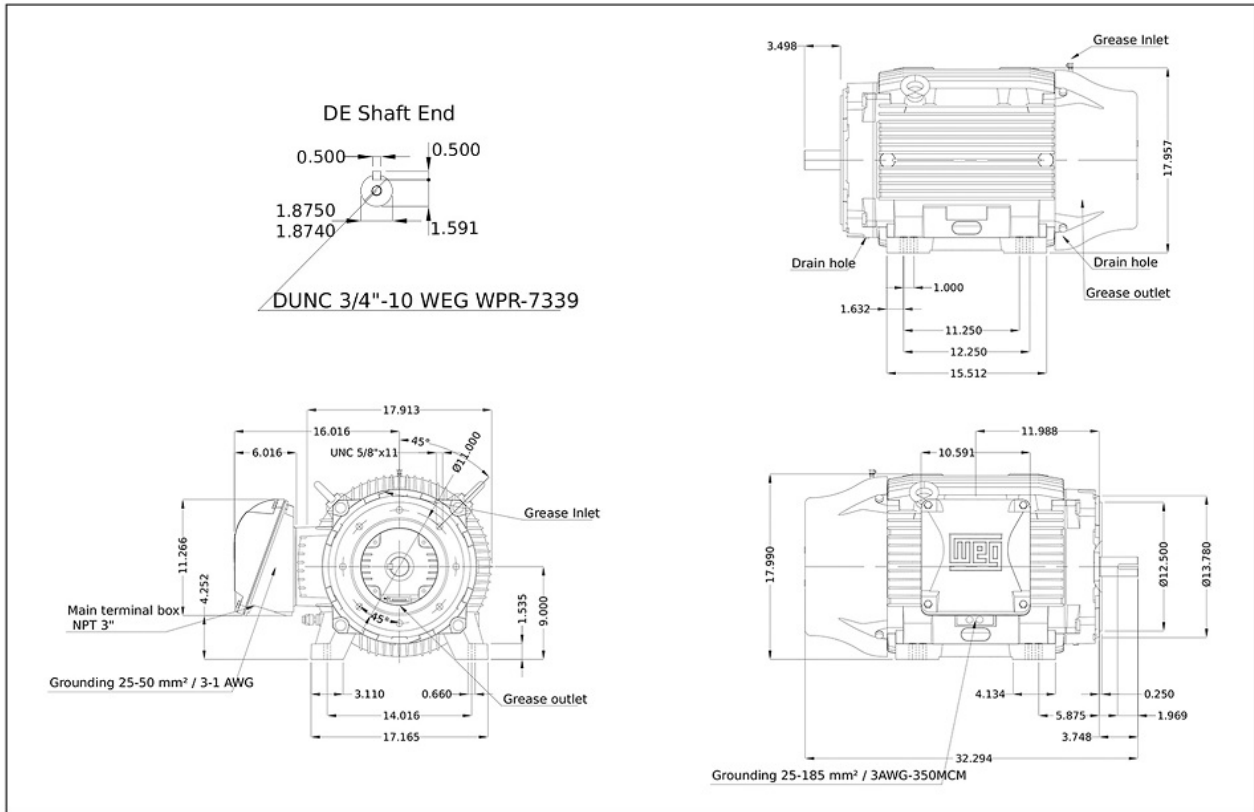
Dimensions and Nameplate

Vertical Multistage Pump Nema - SBN 150-2

Revision no. _____
Page: 5

| | Receiver | From |
|---------------------|----------|------|
| Company name | | |
| Respons. Department | | |
| Person in charge | | |
| Phone number | | |
| Fax no | | |
| E-mail address | | |

Motor Dimensions:



Motor Nameplate:

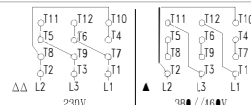


For use on 60Hz
Class I, Div 2, Gr A, B, C and D - T3
Class I, Zone 2, IIC - T3
Class II, Div 2, Gr F and G - T4
For use on PWM: Gr. A, B, C, D and F,
VT 1000:1, CT 20:1, 1.00SF - TSA

MADE IN MEXICO
12275877

Inverter Duty Motor
Severe Duty

PH3 60Hz Fr. 364/STSC 1000m.a.s.l. IP55 TEFC 8761b
V 230/460 A 134/67.0
HP 60 kW 45
SF 1.25 SFA 168/83.8
RPM 3555 PF 0.90
AMB 40°C INS cl. F DT80K NEMA NOM EFF 93.6%
DUTY CONT. DES B Code G



- 6314-C3 (27g)
- 6314-C3 (27g)
- MOBIL POLYREX EM (4000h)

60HP 45kW 50Hz 380V 83.1A 2935RPM SF 1.00 EFF 92.4% (IE1)

| | | | | |
|---------|------------|------------|------------|-------------|
| Project | Project ID | Created by | Created on | Last update |
|---------|------------|------------|------------|-------------|