



## Technical Data - Pump

### Vertical Multistage Pump Nema - SBN 120-3

Revision no.

Page:

1

Receiver

From

 Company name  
 Respons. Department  
 Person in charge  
 Phone number  
 Fax no  
 E-mail address

--	--

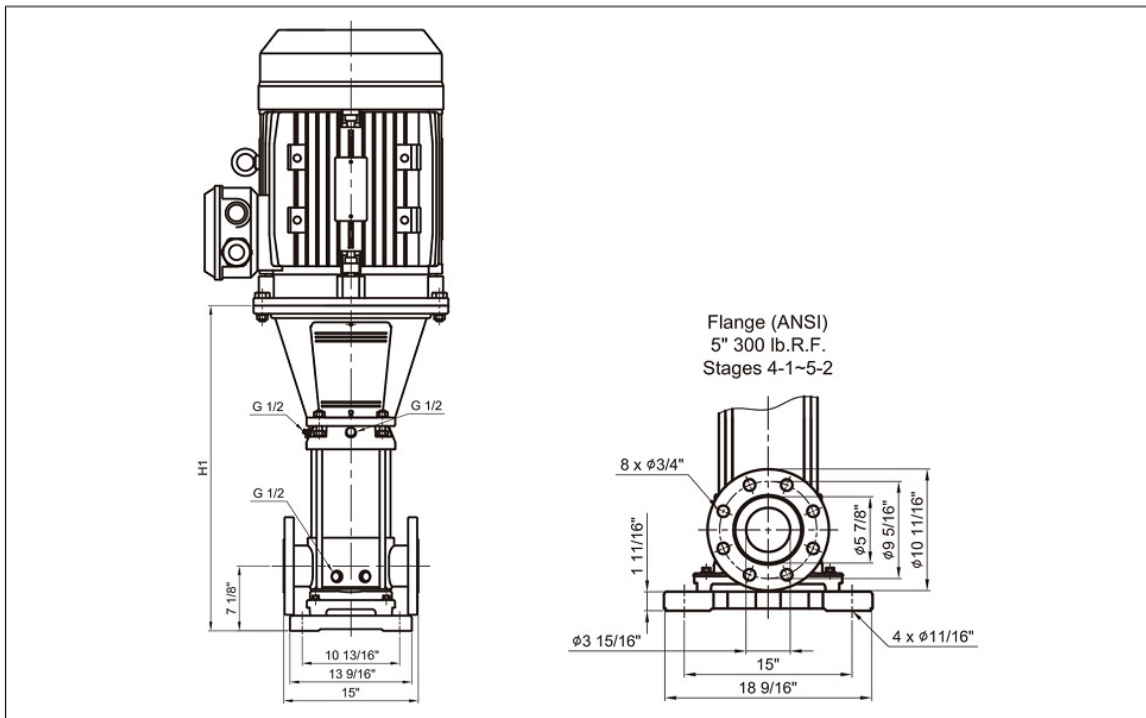


**Pump Brand: Gol Pumps**  
**Model: SBN 120-3**

**Motor Brand: WEG**  
**Model: 07536ET3E365TSC-W22**



### Pump Dimensions:



#### Pump Installation Size (inch)

ANSI Flange	Port Size		NEMA Frame TEFC motors	Net Weight
	DNA	DNM		Lb.
H1	5	5	364/5TSC	331.4

Project

Project ID

Created by

Created on

Last update



# Performance Curves

## Vertical Multistage Pump Nema - SBN 120-3

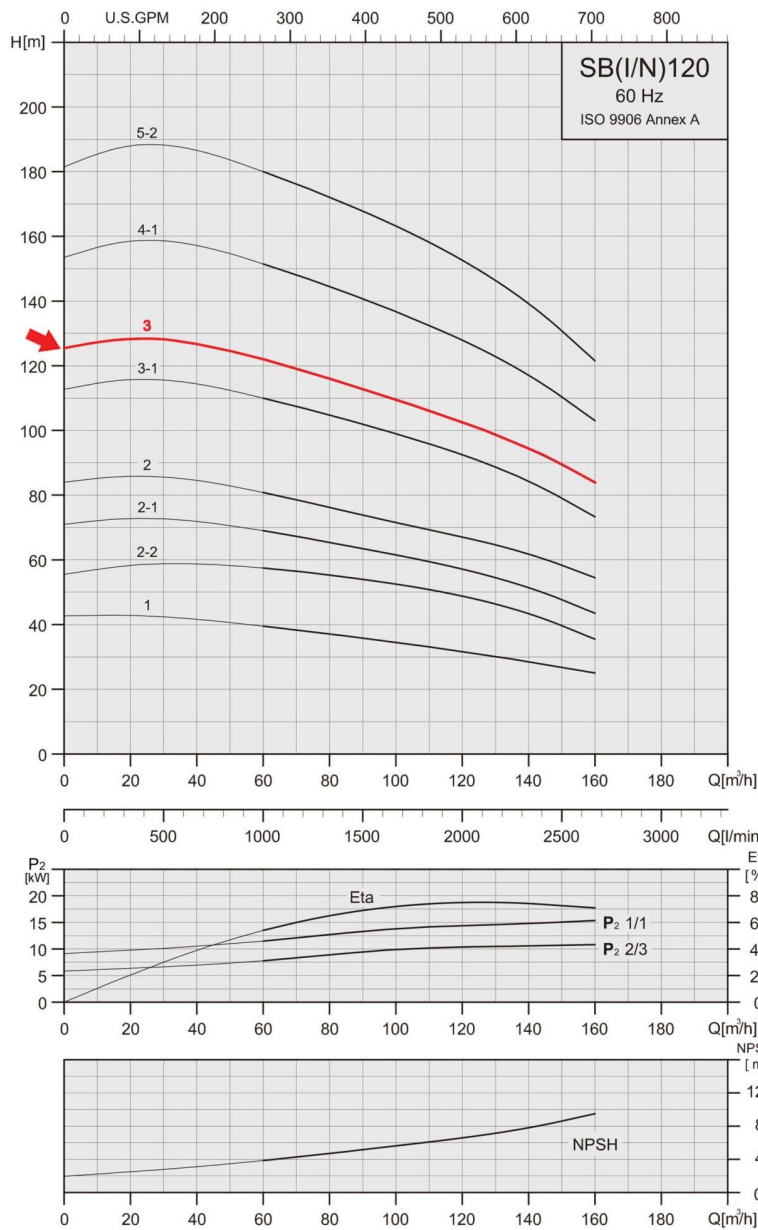
Revision no. \_\_\_\_\_  
 \_\_\_\_\_

Page:  
 2

Receiver	From

Company name  
 Respons. Department  
 Person in charge  
 Phone number  
 Fax no  
 E-mail address

Model	Port Size (in.)		Flow	HP	Volts	Amps	Phase	Max. Head	Max. Suction	Max. PSI
	DNA	DNM	GPH		V	I Max.	Ph	Ft.	Ft.	
<b>SBN 120-3</b>	5	5	42000	75	230/460	134/67	Three	420	17	185



Project	Project ID	Created by	Created on	Last update
---------	------------	------------	------------	-------------



## Parts and Materials

### Vertical Multistage Pump Nema - SBN 120-3

Revision no.

Page:

3

Receiver

From

 Company name  
 Respons. Department  
 Person in charge  
 Phone number  
 Fax no  
 E-mail address

	<b>Parts List</b>	<b>Material</b>	<b>Standard</b>
	36 Pump Head	Stainless Steel	AISI 316
	53 Motor Bracket (15~60HP)	Cast Iron	ASTM 35B
	(75~100HP)	Cast Iron	ASTM 65-45-12
	17 Bearing Ring	PTFE	
	18 Impeller	Stainless Steel	AISI 316
	37 Shaft	Stainless Steel	AISI 316
	48 Outer Sleeve	Stainless Steel	AISI 316
	82 O-ring for Outer Sleeve	EPDM	
	12 Chamber	Stainless Steel	AISI 316
	24 Neck Ring	PTFE	
	59 Base	Stainless Steel	AISI 316
	62 Base Plate	Cast Iron	ASTM 65-45-12
	62A Base Plate	Cast Iron	ASTM 65-45-12
	57 Mechanical Seal	Cartridge Type	
	42 Bottom Bearing Ring	SiC	

Project

Project ID

Created by

Created on

Last update



## Technical Data - Motor

### Vertical Multistage Pump Nema - SBN 120-3

Revision no. \_\_\_\_\_

Page: 4

Receiver \_\_\_\_\_ From \_\_\_\_\_

Company name \_\_\_\_\_  
 Respons. Department \_\_\_\_\_  
 Person in charge \_\_\_\_\_  
 Phone number \_\_\_\_\_  
 Fax no \_\_\_\_\_  
 E-mail address \_\_\_\_\_

\_\_\_\_\_

\_\_\_\_\_

Product line : W22 NEMA Premium Efficiency Three-Phase      Product code : 12197395  
 Catalog # : 07536ET3E365TSC-W22

Frame : 364/5TSC  
 Output : 75 HP (55 kW)  
 Poles : 2  
 Frequency : 60 Hz  
 Rated voltage : 230/460 V  
 Rated current : 164/81.9 A  
 L. R. Amperes : 1097/549 A  
 LRC : 6.7x(Code G)  
 No load current : 40.0/20.0 A  
 Rated speed : 3555 rpm  
 Slip : 1.25 %  
 Rated torque : 111 ft.lb  
 Locked rotor torque : 200 %  
 Breakdown torque : 250 %  
 Insulation class : F  
 Service factor : 1.25  
 Moment of inertia (J) : 11.9 sq.ft.lb  
 Design : B

Locked rotor time : 18s (cold) 10s (hot)  
 Temperature rise : 80 K  
 Duty cycle : Cont.(S1)  
 Ambient temperature : -20°C to +40°C  
 Altitude : 1000 m.a.s.l.  
 Protection degree : IP55  
 Cooling method : IC411 - TEFC  
 Mounting : F-1  
 Rotation<sup>1</sup> : Both (CW and CCW)  
 Noise level<sup>2</sup> : 79.0 dB(A)  
 Starting method : Direct On Line  
 Approx. weight<sup>3</sup> : 879 lb

Output	25%	50%	75%	100%
Efficiency (%)	92.2	92.4	93.6	93.6
Power Factor	0.60	0.83	0.88	0.90

Foundation loads  
 Max. traction : 657 lb  
 Max. compression : 1536 lb

Losses at normative operating points (speed;torque), in percentage of rated output power

P1 (0,9;1,0)	P2 (0,5;1,0)	P3 (0,25;1,0)	P4 (0,9;0,5)	P5 (0,5;0,5)	P6 (0,5;0,25)	P7 (0,25;0,25)
6.4	4.8	4.5	3.2	1.8	1.1	0.6

	Drive end	Non drive end
Bearing type	: 6314 C3	: 6314 C3
Sealing	: WSeal	: WSeal
Lubrication interval	: 4000 h	: 4000 h
Lubricant amount	: 27 g	: 27 g
Lubricant type	: Mobil Polyrex EM	

Notes:  
 USABLE @208V 181A SF 1.10 SFA 199A

This revision replaces and cancel the previous one, which must be eliminated.  
 (1) Looking the motor from the shaft end.  
 (2) Measured at 1m and with tolerance of +3dB(A).  
 (3) Approximate weight subject to changes after manufacturing process.  
 (4) At 100% of full load.

These are average values based on tests with sinusoidal power supply, subject to the tolerances stipulated in NEMA MG-1.

Project	Project ID	Created by	Created on	Last update
---------	------------	------------	------------	-------------



# Dimensions and Nameplate

## Vertical Multistage Pump Nema - SBN 120-3

Revision no.

Page:  
 5

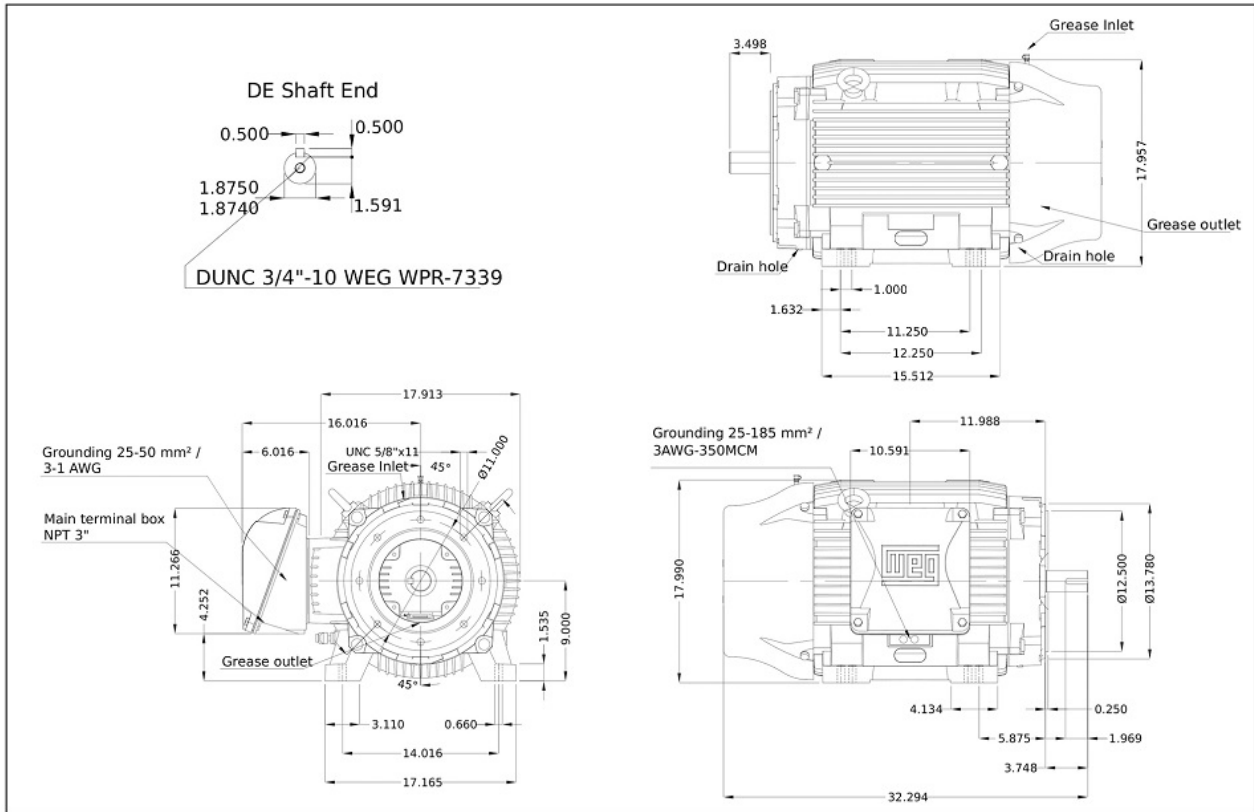
Receiver

From

Company name  
 Respons. Department  
 Person in charge  
 Phone number  
 Fax no  
 E-mail address



### Motor Dimensions:



### Motor Nameplate:



MODEL 07536ET3E365TSC-W22

MADE IN MEXICO  
12197395

Inverter Duty Motor  
 Severe Duty  
 PH3 60Hz Fr. 364/STSC 1000m.a.s.l. IP55 TEFC 8791b  
 V 230/460 A 164/81.9  
 HP 75 kW 55  
 SF 1.25 SFA 205/102  
 RPM 3555 PF 0.90  
 AMB 40°C INS cl. F DT80K NEMA NOM EFF 93.6%  
 DUTY CONT. DES B Code G

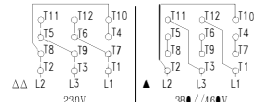
75HP 55kW 50Hz 380V 100A 2930RPM SF 1.00 EFF 92.4% (IE1)



FOR SAFE AREA  
 Mod. T16FOXON  
 CC029A



For use on 60Hz  
 Class I, Div 2, Gr A, B, C and D - T3  
 Class I, Zone 2, IIC - T3  
 Class II, Div 2, Gr F and G - T4  
 For use on PWM: Gr. A, B, C, D and F,  
 VI 1000:1, CT 20:1, 1.00SF - TSA



- 6314-C3 (27g)
- 6314-C3 (27g)
- MOBIL POLYREX EM (4000h)

Project	Project ID	Created by	Created on	Last update
---------	------------	------------	------------	-------------