



# Technical Data - Pump

## Vertical Multistage Pump Nema - SBN 120-3-1

Revision no.

Page:  
1

Receiver

From

Company name  
Respons. Department  
Person in charge  
Phone number  
Fax no  
E-mail address

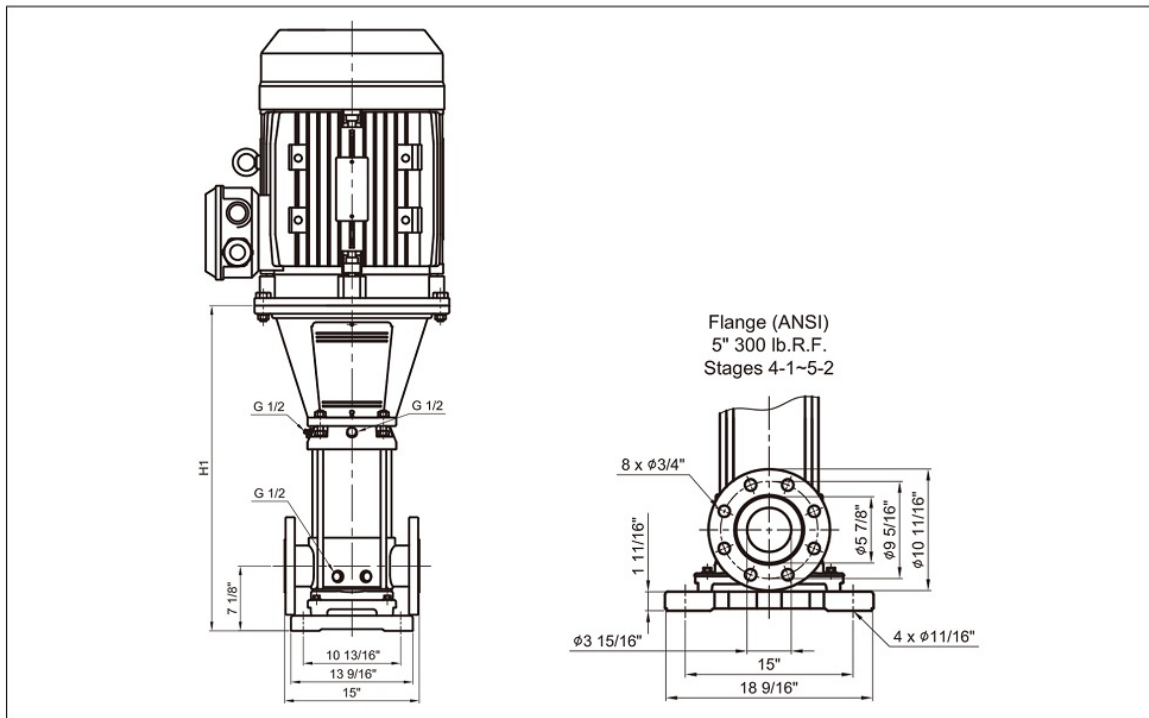



**Pump Brand: Gol Pumps**  
**Model: SBN 120-3-1**

**Motor Brand: WEG**  
**Model: 06036ET3E364TSC-W22**



### Pump Dimensions:



Pump Installation Size (inch)				
ANSI Flange	Port Size		NEMA Frame TEFC motors	Net Weight
	DNA	DNM		Lb.
H1	5	5	364/5TSC	276.4

Project	Project ID	Created by	Created on	Last update
---------	------------	------------	------------	-------------



# Performance Curves

## Vertical Multistage Pump Nema - SBN 120-3-1

Revision no.

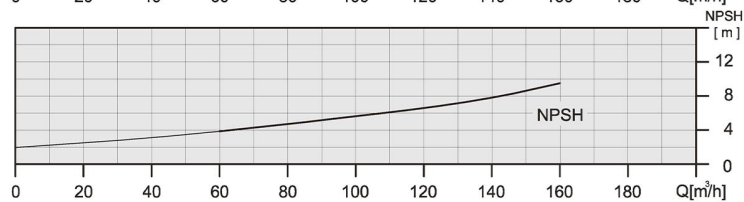
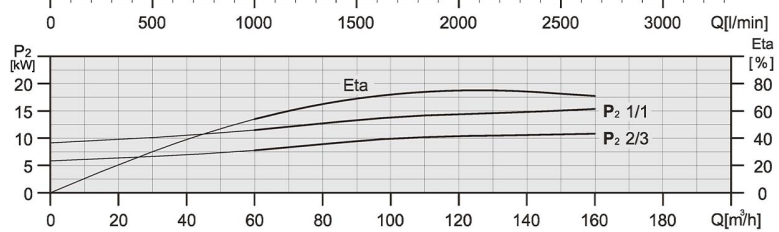
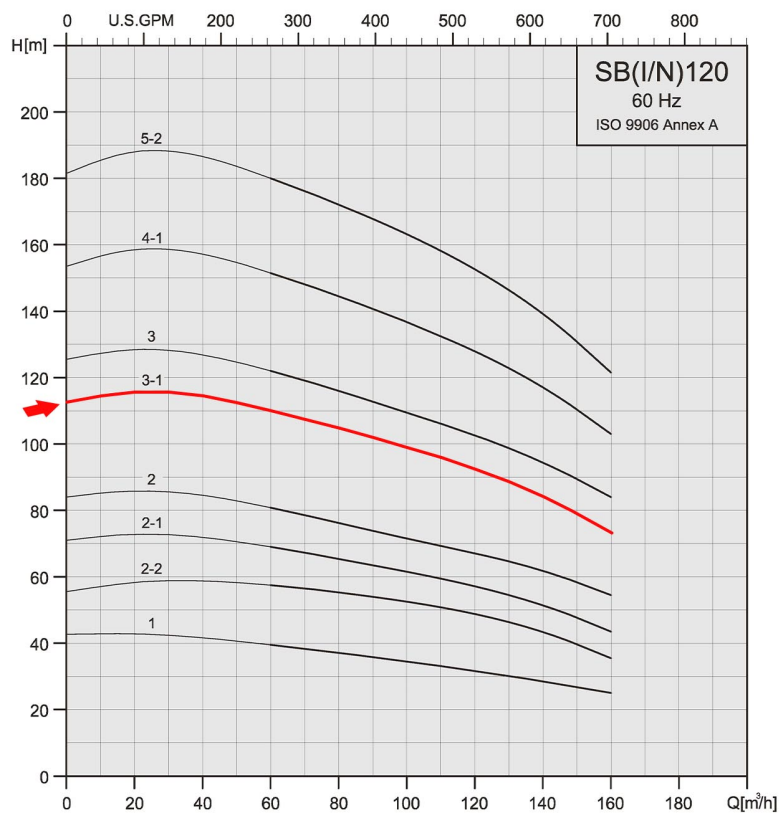
 Page:  
2

Receiver

From

 Company name  
 Respons. Department  
 Person in charge  
 Phone number  
 Fax no  
 E-mail address

Model	Port Size (in.)		Flow	HP	Volts	Amps	Phase	Max. Head	Max. Suction	Max. PSI
	DNA	DNM	GPH		V	I Max.	Ph	Ft.	Ft.	
<b>SBN 120-3-1</b>	5	5	42000	60	230/460	134/67	Three	370	17	165



Project

Project ID

Created by

Created on

Last update



# Parts and Materials

## Vertical Multistage Pump Nema - SBN 120-3-1

Revision no.

Page:  
 3

Receiver

From

Company name  
 Respons. Department  
 Person in charge  
 Phone number  
 Fax no  
 E-mail address



	Parts List	Material	Standard	
	36 Pump Head	Stainless Steel	AISI 316	
	53 Motor Bracket (15~60HP)	Cast Iron	ASTM 35B	
		(75~100HP)	Cast Iron	ASTM 65-45-12
	17 Bearing Ring	PTFE		
	18 Impeller	Stainless Steel	AISI 316	
	37 Shaft	Stainless Steel	AISI 316	
	48 Outer Sleeve	Stainless Steel	AISI 316	
	82 O-ring for Outer Sleeve	EPDM		
	12 Chamber	Stainless Steel	AISI 316	
	24 Neck Ring	PTFE		
	59 Base	Stainless Steel	AISI 316	
	62 Base Plate	Cast Iron	ASTM 65-45-12	
	62A Base Plate	Cast Iron	ASTM 65-45-12	
	57 Mechanical Seal	Cartridge Type		
	42 Bottom Bearing Ring	SiC		

Project	Project ID	Created by	Created on	Last update
---------	------------	------------	------------	-------------



## Technical Data - Motor

### Vertical Multistage Pump Nema - SBN 120-3-1

Revision no.

Page:  
4

Receiver	From
----------	------

Company name  
 Respons. Department  
 Person in charge  
 Phone number  
 Fax no  
 E-mail address


Product line	: W22 NEMA Premium Efficiency Three-Phase	Product code :	12275877
		Catalog # :	06036ET3E364TSC-W22

Frame : 364/5TSC Insulation class : F Duty cycle : Cont.(S1) Ambient temperature : -20°C to +40°C Altitude : 1000 m.a.s.l. Protection degree : IP55 Design : B	Cooling method : IC411 - TEFC Mounting : F-1 Rotation <sup>1</sup> : Both (CW and CCW) Starting method : Direct On Line Approx. weight <sup>3</sup> : 876 lb Moment of inertia (J) : 10.6 sq.ft.lb
--	---

Output [HP]	60	50
Poles	2	2
Frequency [Hz]	60	50
Rated voltage [V]	230/460	380
Rated current [A]	134/67.0	67.4
L. R. Amperes [A]	884/442	431
LRC [A]	6.6x(Code G)	6.4x(Code G)
No load current [A]	32.0/16.0	15.8
Rated speed [RPM]	3555	2955
Slip [%]	1.25	1.50
Rated torque [ft.lb]	88.6	88.9
Locked rotor torque [%]	200	190
Breakdown torque [%]	260	250
Service factor	1.25	1.00
Temperature rise	80 K	80 K
Locked rotor time	25s (cold) 14s (hot)	21s (cold) 12s (hot)
Noise level <sup>2</sup>	79.0 dB(A)	74.0 dB(A)
Efficiency (%)	25%	91.0
	50%	91.7
	75%	93.0
	100%	93.6
Power Factor	25%	0.59
	50%	0.81
	75%	0.88
	100%	0.90

Losses at normative operating points (speed;torque), in percentage of rated output power

Losses (%)	P1 (0,9;1,0)	6.3	6.3
	P2 (0,5;1,0)	4.7	4.7
	P3 (0,25;1,0)	4.4	4.4
	P4 (0,9;0,5)	3.3	3.3
	P5 (0,5;0,5)	1.7	1.7
	P6 (0,5;0,25)	1.1	1.1
	P7 (0,25;0,25)	0.6	0.6

	<u>Drive end</u>	<u>Non drive end</u>	
Bearing type	: 6314 C3	6314 C3	Foundation loads
Sealing	: WSeal	WSeal	Max. traction : 476 lb
Lubrication interval	: 4000 h	4000 h	Max. compression : 1352 lb
Lubricant amount	: 27 g	27 g	
Lubricant type	: Mobil Polyrex EM		

This revision replaces and cancel the previous one, which must be eliminated. (1) Looking the motor from the shaft end. (2) Measured at 1m and with tolerance of +3dB(A).	These are average values based on tests with sinusoidal power supply, subject to the tolerances stipulated in NEMA MG-1.
---	--

Project	Project ID	Created by	Created on	Last update
---------	------------	------------	------------	-------------



# Dimensions and Nameplate

## Vertical Multistage Pump Nema - SBN 120-3-1

Revision no.

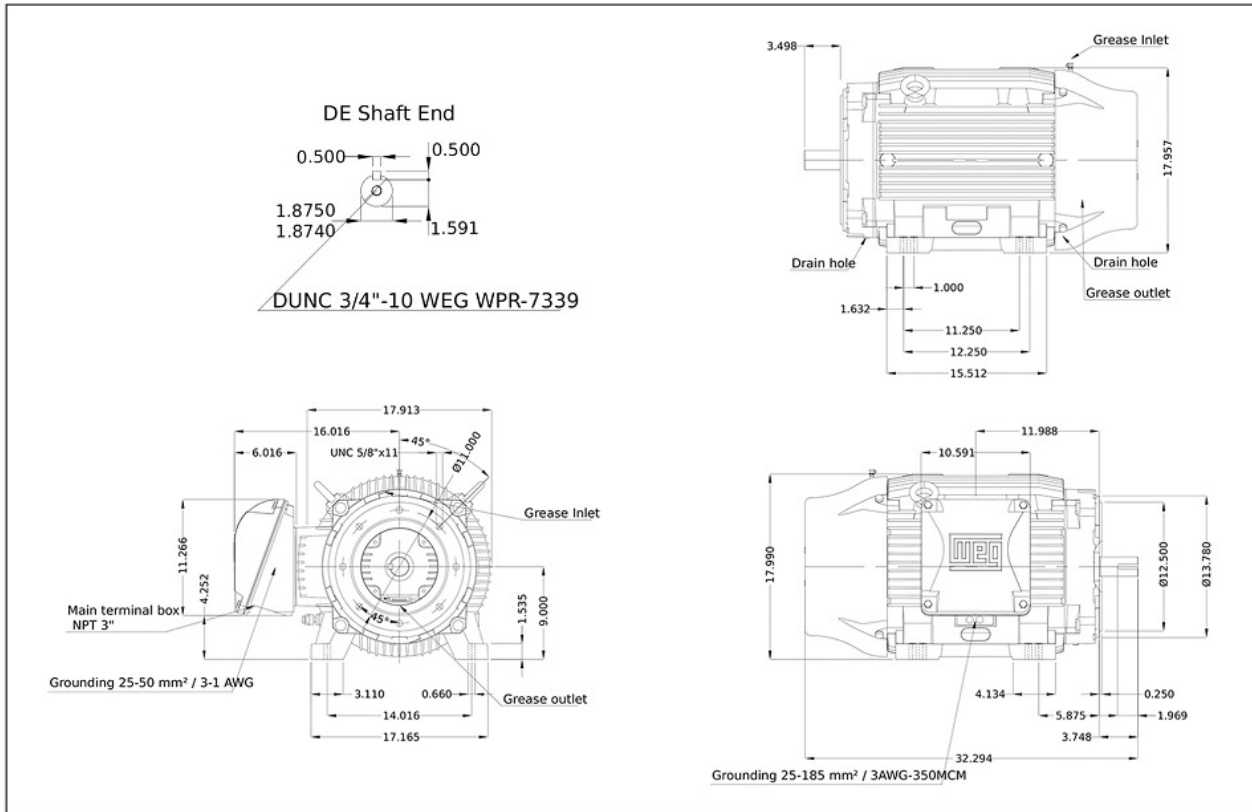
Page:  
5

Receiver

From

Company name  
Respons. Department  
Person in charge  
Phone number  
Fax no  
E-mail address

### Motor Dimensions:



### Motor Nameplate:



MODEL 06036T3E364TSC-W22

MADE IN MEXICO  
12273877

Inverter Duty Motor  
Severe Duty

PH3 60Hz Fr. 364/5TSC 1000m.a.s.l. IP55 TEFC 876lb  
V 230/460 A 134/67.0  
HP 60 kW 45  
SF 1.25 SFA 168/83.8  
RPM 3555 PF 0.90  
AMB 40°C INS cl. F DT80K NEMA NOM EFF 93.6%  
DUTY CONT. DES B Code G

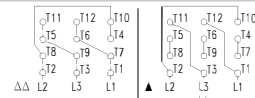
60HP 45kW 50Hz 380V 83.1A 2935RPM SF 1.00 EFF 92.4% (IE1)



FOR SAFE AREA  
Mod. T.E.T.FOXON  
CC029A



For use on 60Hz  
Class I, Div 2, Gr A, B, C and D - T3  
Class I, Zone 2, IIC - T3  
Class II, Div 2, Gr F and G - T4  
For use on PWM: Gr. A, B, C, D and F,  
VT 1000:1, CT 20:1, 1.00SF - 13A



6314-C3 (27g)

6314-C3 (27g)

MOBIL POLYREX EM (4000h)

Project

Project ID

Created by

Created on

Last update