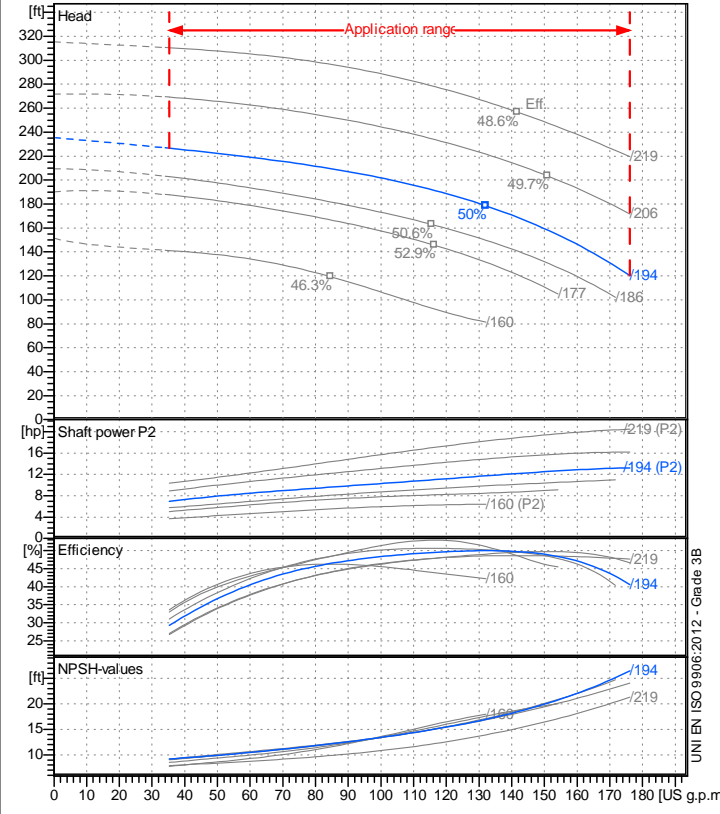


<b>Receiver</b>	<b>From</b>
Company name	SAER ELETTRPOMPE SPA
Respons. Department	
Person in charge	
Phone number	
Fax no	
E-mail address	



### Operating data specification

Nominal flow	US g.p.m. 0
Nominal head	ft 0
Static head	ft 0
NPSH - v value of plant	ft 0
Inlet pressure	psi 1.42
Fluid	Water, pure
Operating temperature t A	°F 68
Density at t A	lb/ft³ 62.32
Kin. viscosity at t A	ft²/s 1.082E-5

### Pump

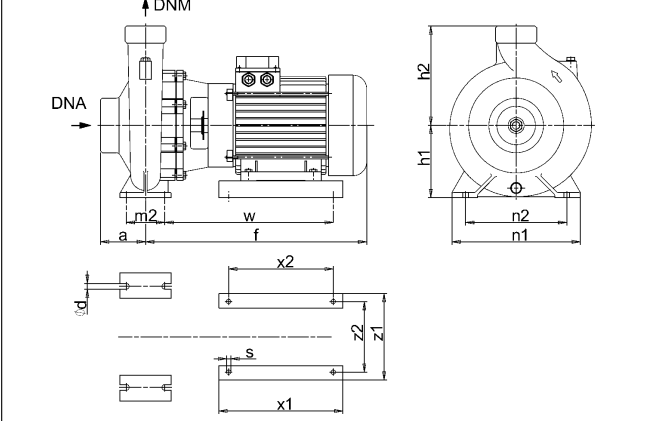
Pump name		6BP10N/194	
Size			
Design			
Speed rpm	3550	No of stages	1
Impeller type			
Flow	Nominal	US g.p.m.	
	Max-	US g.p.m.	176
	Min-	US g.p.m.	35.2
Head	Nominal	ft	
	Max-	ft	227
	Min-	ft	120
Head H(Q=0)		ft	235
NPSH 3%		ft	
Max. working pressure		psi	102
Shaft power		hp	
Efficiency		%	
Max absorbed power		hp	13.24

### Materials Pump

Shaft	Stainless steel AISI 431 (1.4057)
Impeller	Cast iron EN-GJL-250
Pump body	Cast iron EN-GJL-250
Seal disc	Cast iron EN-GJL-250
Gasket	Natural fiber
Mechanical seal	BVEG (Grafito/Ossido Allumina/EPDM)

### Dimensions in inch

a	2 <sup>15</sup> / <sub>16</sub>
d	9 <sup>9</sup> / <sub>16</sub>
f	19 <sup>9</sup> / <sub>16</sub>
h1	6 <sup>5</sup> / <sub>16</sub>
h2	8 <sup>1</sup> / <sub>4</sub>
m2	2 <sup>3</sup> / <sub>4</sub>
n1	9 <sup>7</sup> / <sub>16</sub>
n2	7 <sup>1</sup> / <sub>2</sub>
w	16 <sup>1</sup> / <sub>8</sub>
x1	320;
x2	280;
z1	270;
z2	216;



### Motor

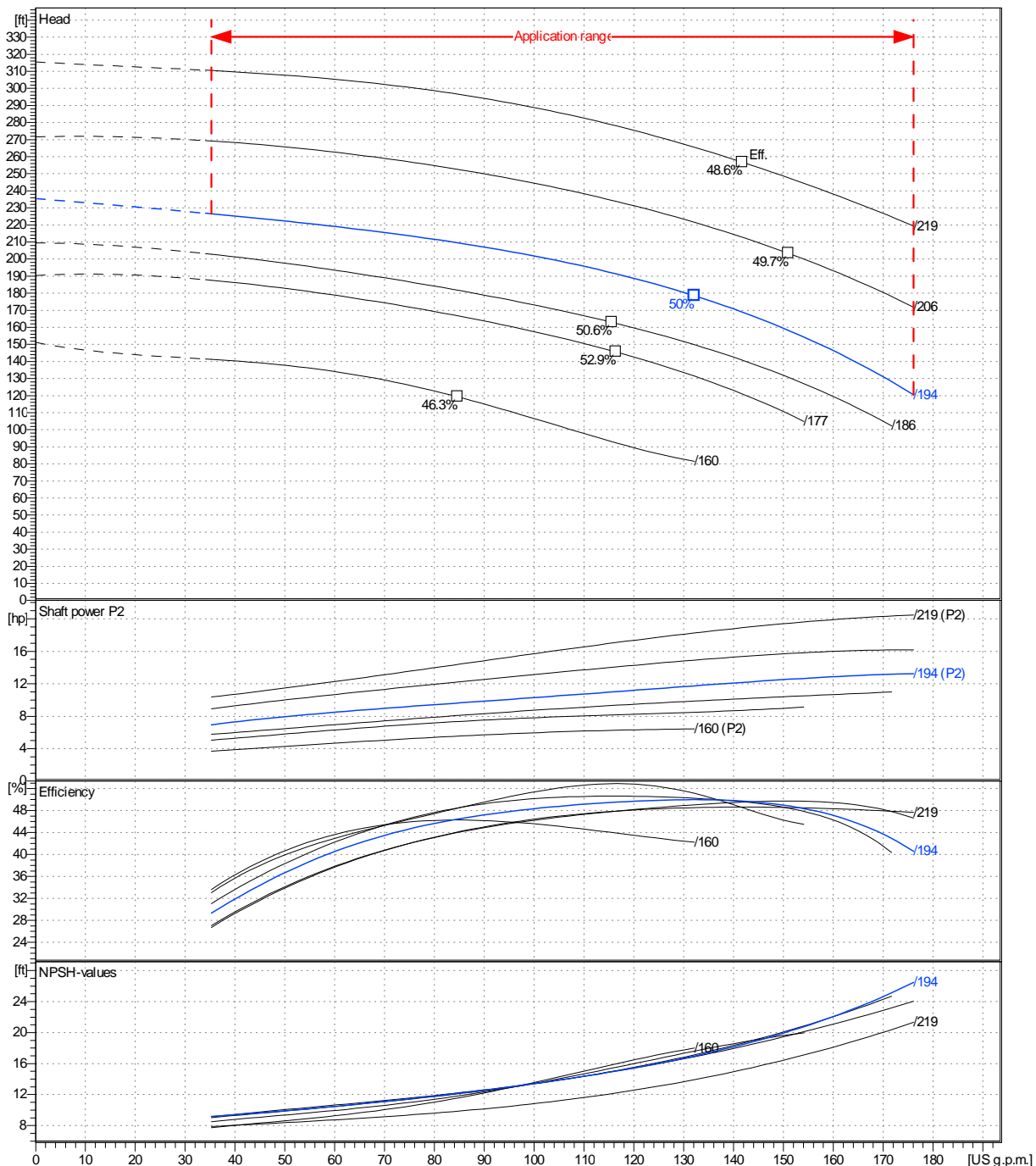
Motor	Frame size	132		
Manufacturer / Type	SAER	132-2P-12,5		
Rated power	hp	12.337	Efficiency 4/4	87 %
Electric current	A	33	Speed rpm	3515
Electric voltage	V	230 V	3~	Hz 60
Starting mode	Unknown			
Degree of protection	IP 55	Insulation class	F	

Remarks:				
Project	Project ID	Created by	Created on	Last update
			2023-12-11	

<b>Receiver</b>	<b>From</b>
Company name	SAER ELETTROPOMPE SPA
Respons. Department	
Person in charge	
Phone number	
Fax no	
E-mail address	

Operating area	Flow	Head	Impeller type
Operating data specification	0 US g.p.m.	0 ft	Impeller construction
Pump data	US g.p.m.	ft	Sense of rotation
			Clockwise from the drive end
			Outlet width
			G1½"
			Speed
			rpm 3550
			Frequency
			Hz 60 Hz

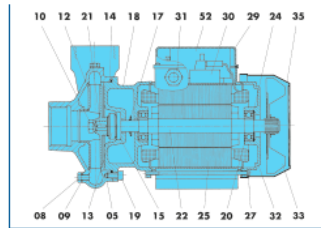
Performance data based to: Water, pure [100%] ; 68°F; 62.3lb/ft³; 1.08E-5ft²/s UNI EN ISO 9906:2012 - Grade 3B



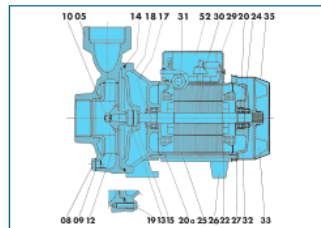
Project	Project ID	Created by	Created on	Last update
			2023-12-11	

Company name  
 Respons. Department  
 Person in charge  
 Phone number  
 Fax no  
 E-mail address

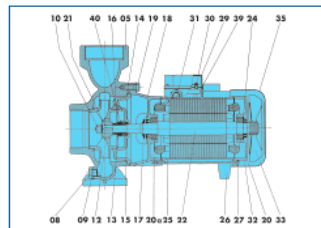
SAER ELETTROPOMPE SPA



6BP 3-4-5



6BP 6



6BP 7-8-9-10-11-12-13-14-15-16-17

REF. REF. NUM.	COMPONENT	COMPONENTE	COMPONENTE
05	Pump body	Corpo pompa	Cuerpo de bomba
08	Plug	Tappo	Tapon
09	Gasket	Guarnizione	Empaquetadura
10	Nut	Dado	Tuerca
12	Impeller	Girante	Impulsor
13	Rotating mechanical seal	Parte rotante tenuta meccanica	Cierre mecanico parte girante
14	O-Ring	Anello OR	Anillo OR
15	Fixed mechanical seal	Parte fissa tenuta meccanica	Cierre mecanico parte fija
16	Seal holding disc	Disco porta tenuta	Anillo intermedio
17	Drop guard	Paragocce	Paragotas
18	Support	Supporto	Soporte
19	Screw	Vite	Tornillo
20	Bearing	Cuscinetto	Cojinete
20a	Bearing	Cuscinetto	Cojinete
21	Key	Linguetta	Chaveta
22	Rotating shaft	Albero rotante	Eje rotorio
24	O-ring	Anello elastico	Anillo elastico
25	Casing with wound stator	Carcassa statore avvolto	Carcasa estator envuelto
26	Foot	Piede	Pie
27	Tie-rod	Tirante	Tirante
29	Terminal board cover	Coperchio morsettiera	Tapa de bornes
30	Terminal board	Morsettiera	Bornes
31	Fairlead	Pressacavo	Guia
32	Driving cap	Calotta motore	Tapa motor
33	Fan	Ventola	Ventilador
35	Fan cover	Copri ventola	Tapa ventilador
39	Terminal board gasket	Guarnizione morsettiera	Empaquetadura bornes
40	Bushing	Bussola	Casquillo
52	Capacitor	Condensatore	Condensador

Project

Project ID

Created by

 Created on  
**2023-12-11**

Last update