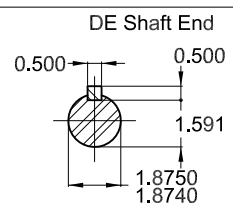
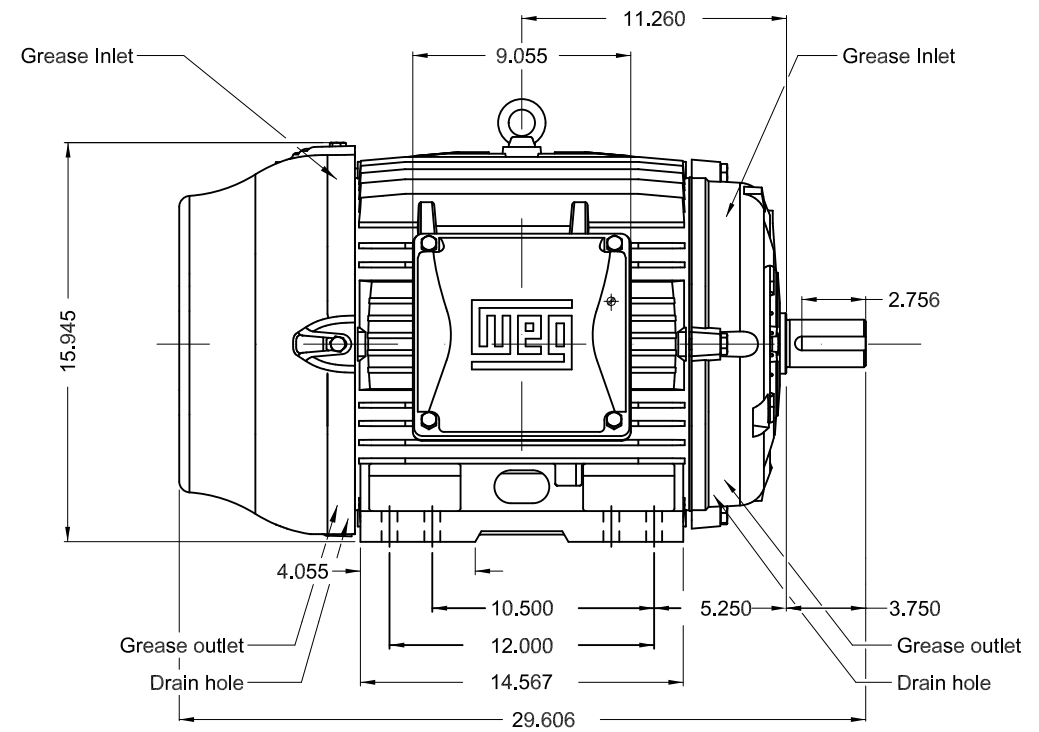
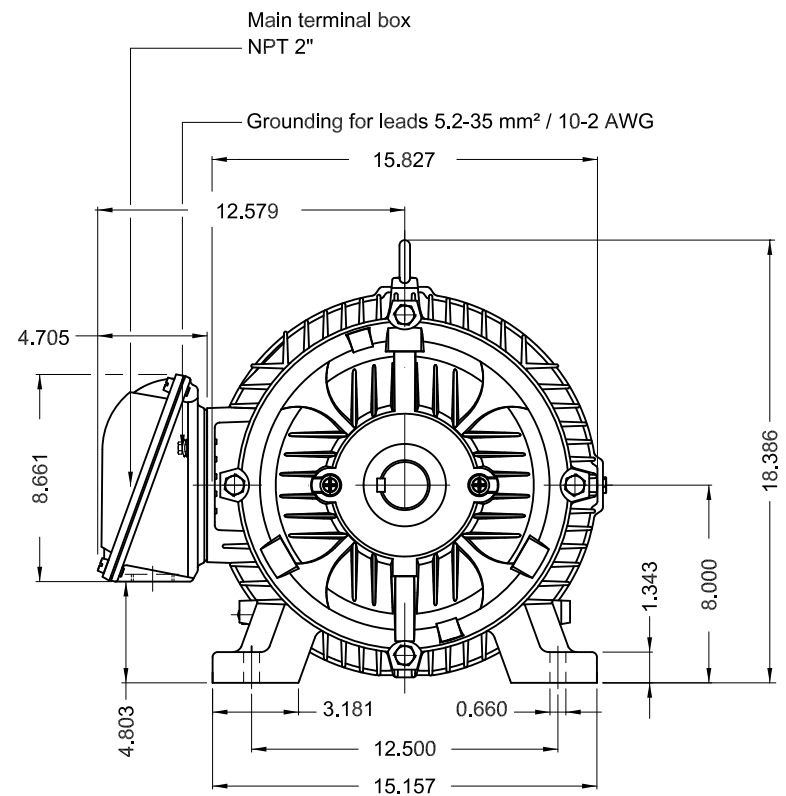


# DATA SHEET



## Three Phase Induction Motor - Squirrel Cage

|  |  |               |  |  |               |                |       |      |      |      |              |      |      |      |      |   |
|--|--|---------------|--|--|---------------|----------------|-------|------|------|------|--------------|------|------|------|------|---|
| Customer :   |  |               |  |  |               |                |       |      |      |      |              |      |      |      |      |   |
| Product line : W22 NEMA Premium Efficiency Three-Phase   | Product code : 12448181<br>Catalog # : 04036ET3E324TS-W22  |               |  |  |               |                |       |      |      |      |              |      |      |      |      |   |
| Frame : 324/6TS<br>Output : 40 HP (30 kW)<br>Poles : 2<br>Frequency : 60 Hz<br>Rated voltage : 230/460 V<br>Rated current : 92.6/46.3 A<br>L. R. Amperes : 584/292 A<br>LRC : 6.3x(Code G)<br>No load current : 25.0/12.5 A<br>Rated speed : 3555 rpm<br>Slip : 1.25 %<br>Rated torque : 59.1 ft.lb<br>Locked rotor torque : 250 %<br>Breakdown torque : 240 %<br>Insulation class : F<br>Service factor : 1.25<br>Moment of inertia (J) : 4.90 sq.ft.lb<br>Design : B | Locked rotor time : 39s (cold) 22s (hot)<br>Temperature rise : 80 K<br>Duty cycle : Cont.(S1)<br>Ambient temperature : -20°C to +40°C<br>Altitude : 1000 m.a.s.l.<br>Protection degree : IP55<br>Cooling method : IC411 - TEFC<br>Mounting : F-1<br>Rotation <sup>1</sup> : Both (CW and CCW)<br>Noise level <sup>2</sup> : 76.0 dB(A)<br>Starting method : Direct On Line<br>Approx. weight <sup>3</sup> : 483 lb |               |  |  |               |                |       |      |      |      |              |      |      |      |      |   |
| <table border="1"> <tr> <td>Output</td> <td>25%</td> <td>50%</td> <td>75%</td> <td>100%</td> </tr> <tr> <td>Efficiency (%)</td> <td>0.000</td> <td>91.7</td> <td>92.4</td> <td>92.4</td> </tr> <tr> <td>Power Factor</td> <td>0.00</td> <td>0.80</td> <td>0.86</td> <td>0.88</td> </tr> </table>   | Output   | 25%           | 50%  | 75%  | 100%          | Efficiency (%) | 0.000 | 91.7 | 92.4 | 92.4 | Power Factor | 0.00 | 0.80 | 0.86 | 0.88 | Foundation loads<br>Max. traction : 386 lb<br>Max. compression : 870 lb |
| Output   | 25%  | 50%           | 75%  | 100%   |               |                |       |      |      |      |              |      |      |      |      |   |
| Efficiency (%)   | 0.000  | 91.7          | 92.4   | 92.4   |               |                |       |      |      |      |              |      |      |      |      |   |
| Power Factor   | 0.00   | 0.80          | 0.86   | 0.88   |               |                |       |      |      |      |              |      |      |      |      |   |
| Losses at normative operating points (speed;torque), in percentage of rated output power   |  |               |  |  |               |                |       |      |      |      |              |      |      |      |      |   |
| P1 (0,9;1,0)   | P2 (0,5;1,0)   | P3 (0,25;1,0) | P4 (0,9;0,5)   | P5 (0,5;0,5)   | P6 (0,5;0,25) | P7 (0,25;0,25) |       |      |      |      |              |      |      |      |      |   |
| 7.4  | 4.7  | 3.8           | 4.6  | 2.2  | 1.7           | 0.8            |       |      |      |      |              |      |      |      |      |   |
| Drive end<br>Bearing type : 6312 C3<br>Sealing : V'Ring<br>Lubrication interval : 12000 h<br>Lubricant amount : 21 g<br>Lubricant type : Mobil Polyrex EM  |  |               | Non drive end<br>Bearing type : 6212 C3<br>Sealing : V'Ring<br>Lubrication interval : 15000 h<br>Lubricant amount : 13 g |  |               |                |       |      |      |      |              |      |      |      |      |   |
| Notes<br>USABLE @208V 101A SF 1.10 SFA 111A  |  |               |  |  |               |                |       |      |      |      |              |      |      |      |      |   |
| This revision replaces and cancel the previous one, which must be eliminated.<br>(1) Looking the motor from the shaft end.<br>(2) Measured at 1m and with tolerance of +3dB(A).<br>(3) Approximate weight subject to changes after manufacturing process.<br>(4) At 100% of full load.   |  |               |  | These are average values based on tests with sinusoidal power supply, subject to the tolerances stipulated in NEMA MG-1. |               |                |       |      |      |      |              |      |      |      |      |   |
| Rev.   | Changes Summary  |               |  | Performed  | Checked       | Date           |       |      |      |      |              |      |      |      |      |   |
| Performed by   |  |               |  |  |               |                |       |      |      |      |              |      |      |      |      |   |
| Checked by   |  |               |  |  | Page          | Revision       |       |      |      |      |              |      |      |      |      |   |
| Date   | 03/11/2023   |               |  |  | 1 / 1         |                |       |      |      |      |              |      |      |      |      |   |



Without vertical jackscrews  
 Color RAL 5009  
 Painting plan 203A  
 Mounting B3R(D)

40 HP 02 Poles 60 Hz

|           |           |     |                                     |                     |           |         |          |      |     |    |
|-----------|-----------|-----|-------------------------------------|---------------------|-----------|---------|----------|------|-----|----|
| ECM       |           | LOC | SUMMARY OF MODIFICATIONS            |                     | USERADMIN |         |          |      |     | 00 |
| EXECUTED  | USERADMIN |     | THREE PH. MOTOR W22 NEMA PREM. EFF. |                     | EXECUTED  | CHECKED | RELEASED | DATE | VER |    |
| CHECKED   |           |     | FRAME 324/6TS IP55 TEFC             |                     |           |         |          |      |     |    |
| RELEASED  |           |     |                                     |                     |           |         |          |      |     |    |
| REL. DATE |           | WMO | Jaragua do Sul                      | Product Engineering |           |         |          |      |     |    |

PREVIEW

WDD 00

SHEET 1 / 1



MADE IN MEXICO  
12448181



FOR SAFE AREA  
Mod. TE1BFOXON  
CC029A



For use on 60Hz  
Class I, Div 2, Gr A, B, C and D - T3  
Class I, Zone 2, IIC - T3  
Class II, Div 2, Gr F and G - T4  
For use on PWM: Gr. A, B, C, D and F,  
VT 1000:1, CT 20:1, 1.00SF - T3A

MODEL 04036ET3E324TS-W22

Inverter Duty Motor  
Severe Duty

PH3 60Hz Fr. 324/6TS 1000m.a.s.l. IP55 TEFC 483lb

V 230/460 A 92.6/46.3

HP 40 kW 30

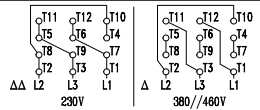
SF 1.25 SFA 116/57.9

RPM 3555 PF 0.88

AMB 40°C INS cl. F DT80K NEMA NOM EFF 92.4%

DUTY CONT. DES B Code G

40HP 30kW 50Hz 380V 56.3A 2935RPM SF 1.00 EFF 91.0% (IE1)



- 6312-C3 (21g)
- 6212-C3 (13g)

MOBIL POLYREX EM (12000h)

