



Technical Data

Horizontal Centrifugal Slurry Pump - GAZ200-1-A60

Revision no. _____

Page: 1

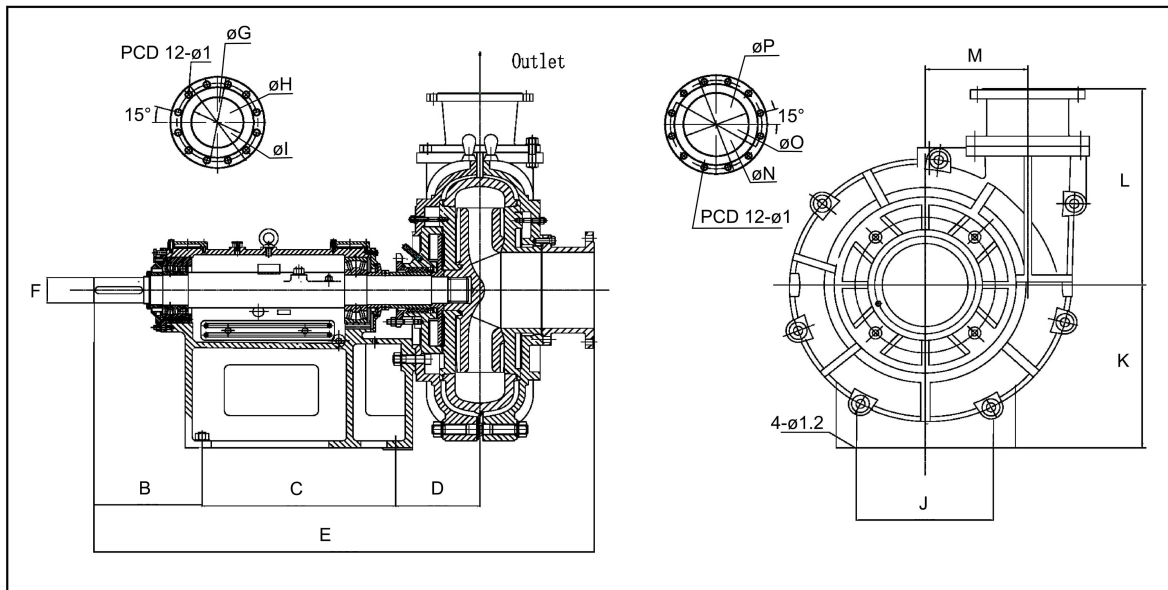
Receiver	From

Company name
 Respons. Department
 Person in charge
 Phone number
 Fax no
 E-mail address



Brand: Gol Pumps
Model: GAZ200-1-A60

Dimensions:



Flange (inch)	
Inlet	Outlet
10	8

Pump Installation Size (inch)															
B	C	D	E	F	G	H	I	J	K	L	M	N	O	P	
12	24	12.6	62.7	3.1	12.2	7.9	14.2	24.8	19.7	25.9	15	15.3	13.8	9.8	

Project	Project ID	Created by	Created on	Last update
---------	------------	------------	------------	-------------



Performance Curve

Horizontal Centrifugal Slurry Pump - GAZ200-1-A60

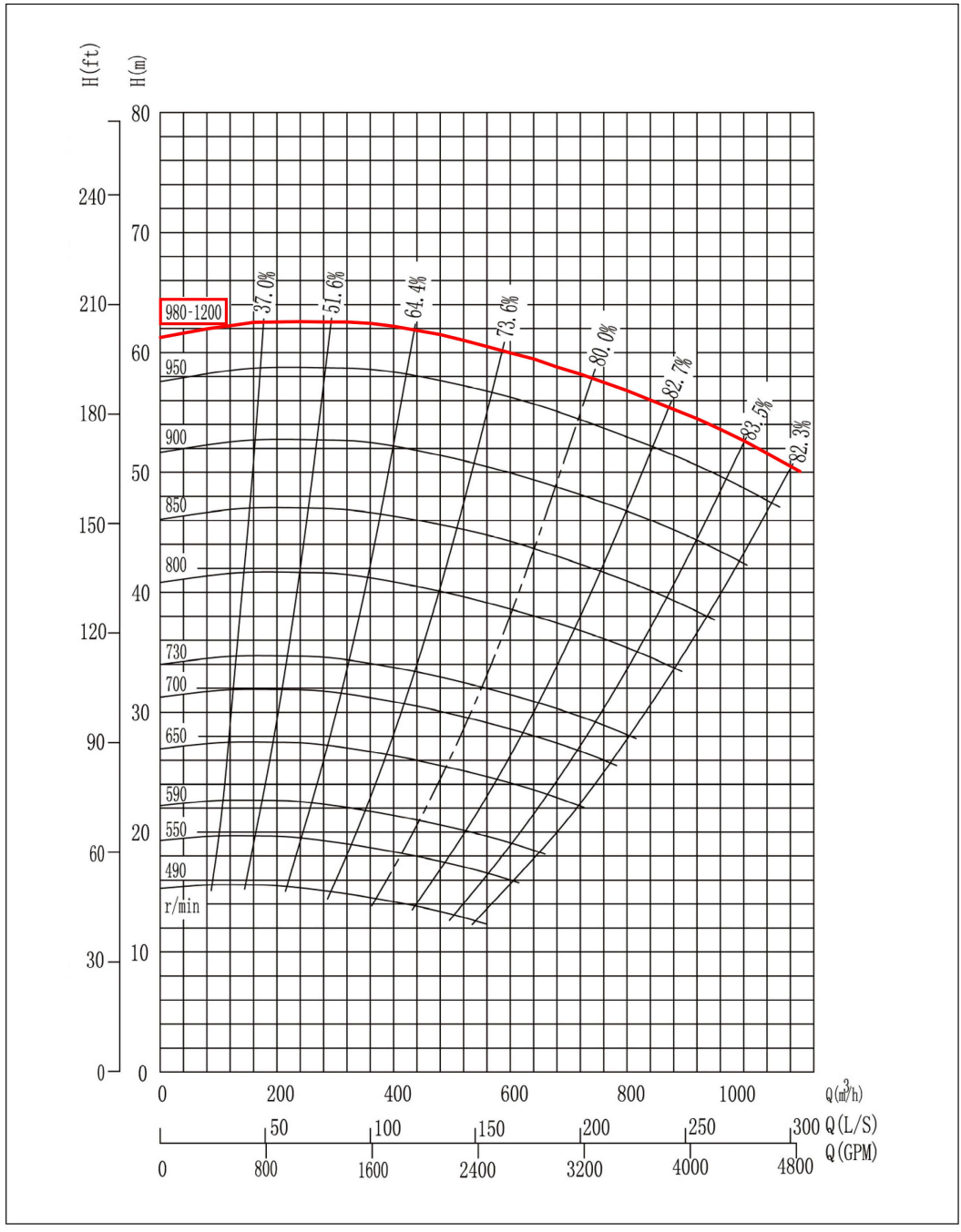
Revision no.

Page:
 2

Receiver _____ From _____

Company name _____
 Respons. Department _____
 Person in charge _____
 Phone number _____
 Fax no _____
 E-mail address _____

Model	Inlet	Outlet	Power		Max. Solid Passing	Revolutions
	in	in	hp	kw	in	rpm
GAZ200-1-A60	10	8	335	250	2.5	1150



Project _____	Project ID _____	Created by _____	Created on _____	Last update _____
---------------	------------------	------------------	------------------	-------------------



Pump and Motor

Horizontal Centrifugal Slurry Pump - GAZ200-1-A60

Revision no.

Page:
 3

Receiver

From

Company name
 Respons. Department
 Person in charge
 Phone number
 Fax no
 E-mail address



Motor Type		TEFC
Nominal Voltage	V	460 - 3ph
Power Factor		0.78
Stator Current	A	437
Motor Power	HP	350
Frequency	HZ	60
Efficiency	%	95.8
Speed	RPM	1193
Protection Class	IP	55
Approx. Weight	LB	4344
Manufacturer		WEG

Project	Project ID	Created by	Created on	Last update
---------	------------	------------	------------	-------------



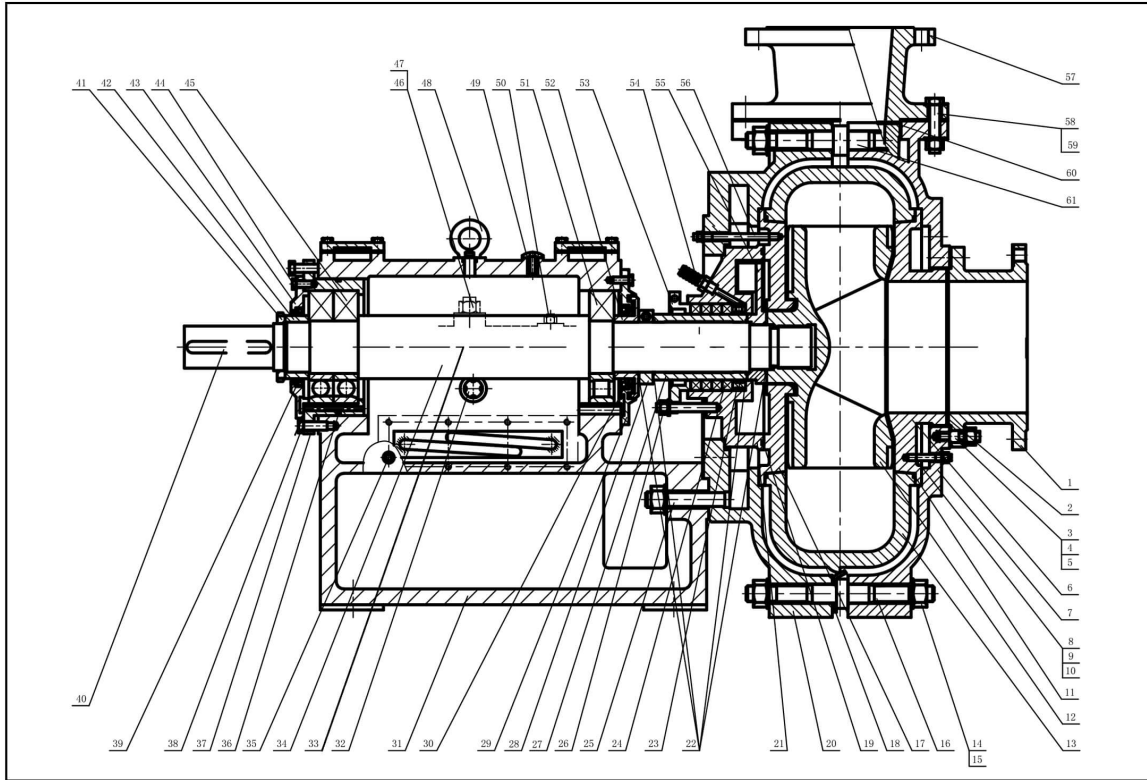
Parts and Materials

Horizontal Centrifugal Slurry Pump - GAZ200-1-A60

Revision no.

Page:
 4

	Receiver	From
Company name		
Respons. Department		
Person in charge		
Phone number		
Fax no		
E-mail address		



Item	Parts Name	Qty	Material
1	Intake Coupling	1	HT200
2	Intake Joint Ring	1	Rubber
3	Intake Studs	12	
4	Nuts	12	
5	Washer	12	
6	Throat Bush	1	Cr27NiMo
7	Cover Plate	1	HT200
8	Cover Plate Studs	4	
9	Nuts	10	
10	Washer	8	
11	Seal Ring	2	Rubber
12	Impeller	1	Cr27NiMo
13	Volute Liner	1	Cr27NiMo
14	Nuts	19	
15	Washer	19	

16	Frame Plate Bolts	2	
17	FPL Insert	1	Cr27NiMo
18	Cotter	2	
19	Seal Ring	1	Rubber
20	Frame Plate	1	HT200
21	Stuffing Box	1	
22	O Ring	3	Rubber
23	Lantern Ring	1	
24	Packing	4	
25	Adjust Studs	5	
26	Studs	2	
27	Shaft Sleeve	1	
28	Release Collar	1 set	
29	End Cover	1	HT200
30	Oil Seal	1	
31	Frame	1	HT200

Project	Project ID	Created by	Created on	Last update
---------	------------	------------	------------	-------------



Parts and Materials

Horizontal Centrifugal Slurry Pump - GAZ200-1-A60

Revision no.

Page:
5

Receiver

From

Company name
 Respons. Department
 Person in charge
 Phone number
 Fax no
 E-mail address

Item	Parts Name	Qty	Material
32	Oil Pointer	1	
33	Paper Doily	1 set	
34	Shaft	1	
35	Plug R 1/2	1	
36	End Cover Seal Ring	1	Rubber
37	Bearing Box	1	
38	Bearing Box Bolts	8	
39	Oil Seal Driven	1	
40	Key	1	
41	Lock Nut	1	
42	Retainer	1	
43	End Cover Driven	1	
44	End Cover Bolts	16	
45	Bearing	2	
46	Frame Studs	6	

47	Nuts	14	
48	Eyebolts	3	
49	Oil Hole Cover	1	
50	Location Pin	3	
51	Bearing	1	
52	Retainer	1	
53	Stuffing Gland	1 set	HT200
54	Nipple	1	
55	Expeller	1	
56	FPL Insert Bolts	4	
57	Discharge Coupling	1	HT200
58	Discharge Bolts	8	
59	Washer	14	
60	Discharge Join Ring	1	
61	Frame Plate Bolts	5	

Project	Project ID	Created by	Created on	Last update
---------	------------	------------	------------	-------------