



Technical Data

Horizontal Centrifugal Slurry Pump - GAZ150-1-C50

Revision no. _____

Page: 1

Receiver _____

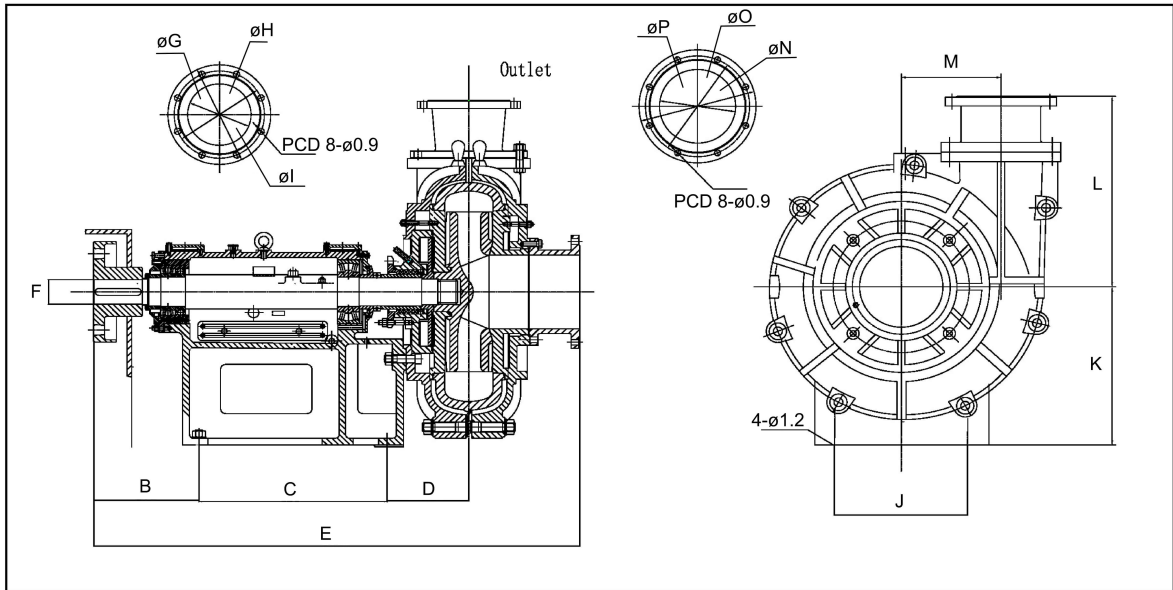
From _____

Company name _____
 Respons. Department _____
 Person in charge _____
 Phone number _____
 Fax no _____
 E-mail address _____



Brand: Gol Pumps
Model: GAZ150-1-C50

Dimensions:



Flange (inch)	
Inlet	Outlet
8	8

Pump Installation Size (inch)															
B	C	D	E	F	G	H	I	J	K	L	M	N	O	P	
10.9	16.5	12.5	53	2.6	7.9	11.6	13.2	15.7	16.1	22.8	11.8	13.2	11.6	7.9	

Project _____	Project ID _____	Created by _____	Created on _____	Last update _____
---------------	------------------	------------------	------------------	-------------------



Performance Curve

Horizontal Centrifugal Slurry Pump - GAZ150-1-C50

Revision no.

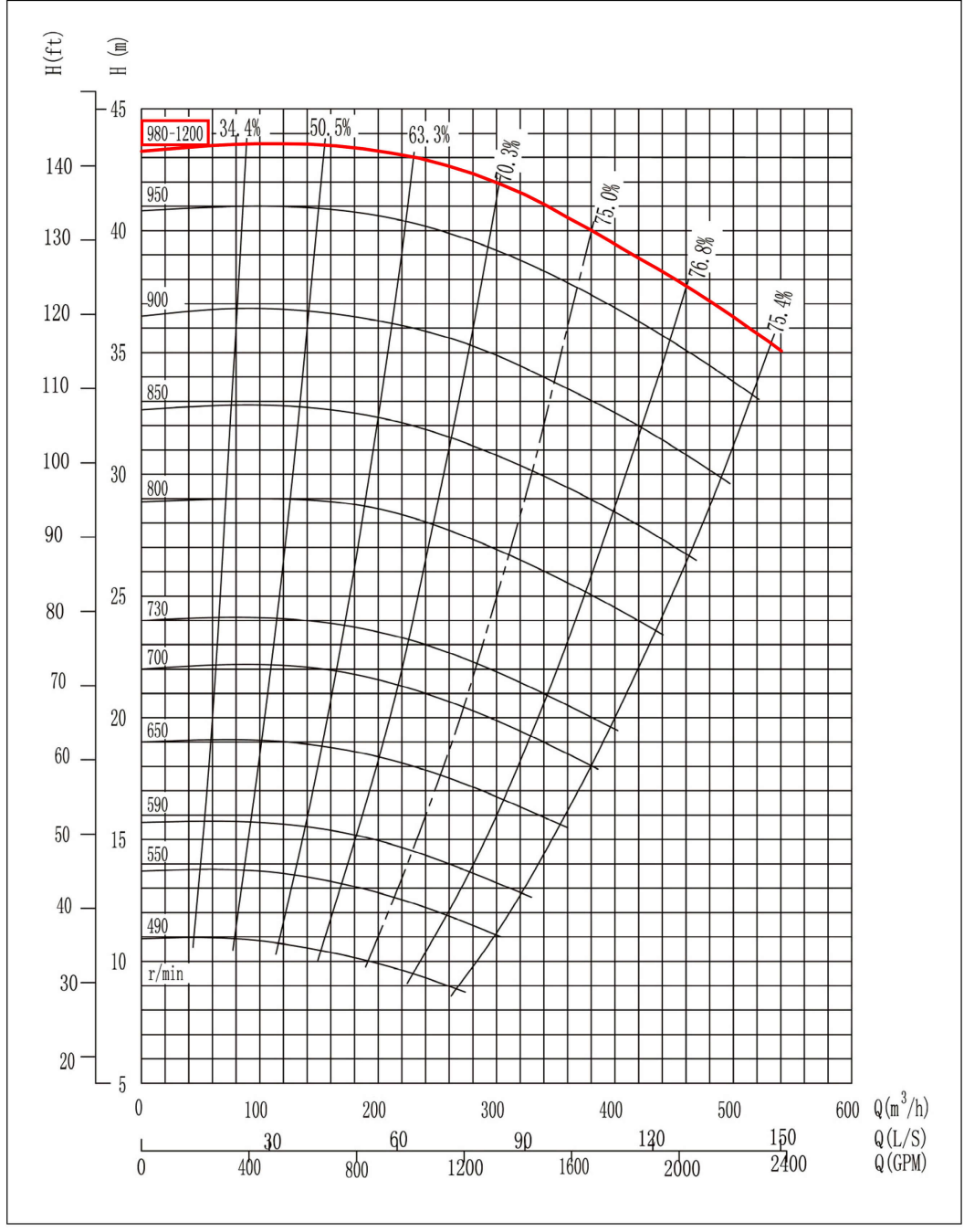
Page:
 2

Company name
 Respons. Department
 Person in charge
 Phone number
 Fax no
 E-mail address

Receiver

From

Model	Inlet	Outlet	Power		Max. Solid Passing	Revolutions
	in	in	hp	kw	in	rpm
GAZ150-1-C50	8	8	100	75	1.9	1200



Project	Project ID	Created by	Created on	Last update
---------	------------	------------	------------	-------------



Pump and Motor

Horizontal Centrifugal Slurry Pump - GAZ150-1-C50

Revision no.

Page:
 3

Receiver

From

Company name
 Respons. Department
 Person in charge
 Phone number
 Fax no
 E-mail address



Motor Type		TEFC
Nominal Voltage	V	460 - 3ph
Power Factor		0.81
Stator Current	A	122
Motor Power	HP	100
Frequency	HZ	60
Efficiency	%	95
Speed	RPM	1194
Protection Class	IP	55
Approx. Weight	LB	2321
Manufacturer		WEG

Project	Project ID	Created by	Created on	Last update
---------	------------	------------	------------	-------------



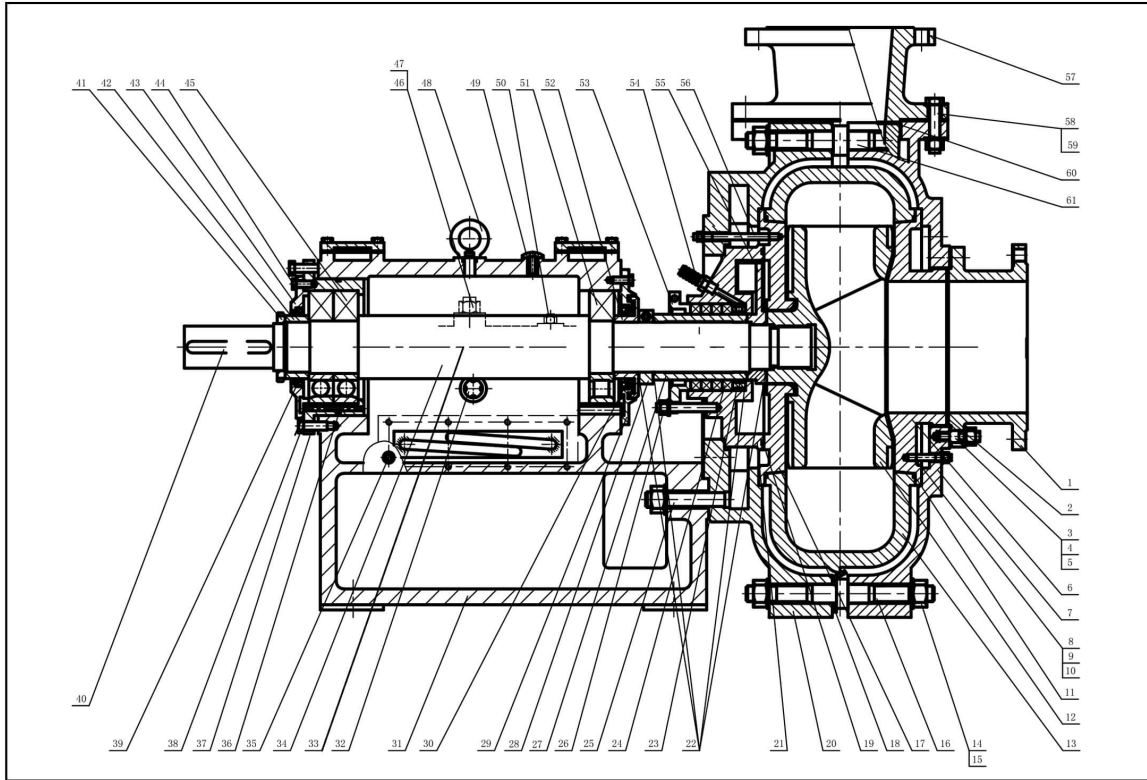
Parts and Materials

Horizontal Centrifugal Slurry Pump - GAZ150-1-C50

Revision no.

Page:
 4

	Receiver	From
Company name		
Respons. Department		
Person in charge		
Phone number		
Fax no		
E-mail address		



Item	Parts Name	Qty	Material
1	Intake Coupling	1	HT200
2	Intake Joint Ring	1	Rubber
3	Intake Studs	12	
4	Nuts	12	
5	Washer	12	
6	Throat Bush	1	
7	Cover Plate	1	HT200
8	Cover Plate Studs	4	
9	Nuts	10	
10	Washer	8	
11	Seal Ring	2	Rubber
12	Impeller	1	KmTBCr27
13	Volute Liner	1	KmTBCr27
14	Nuts	12	
15	Washer	12	

16	Frame Plate Bolts	2	
17	FPL Insert	1	
18	Cotter	2	
19	Seal Ring	1	Rubber
20	Frame Plate	1	HT200
21	Stuffing Box	1	
22	O Ring	4	Rubber
23	Lantern Ring	1	
24	Packing	4	
25	Adjust Studs	3	
26	Studs	2	
27	Shaft Sleeve	1	
28	Release Collar	1 set	
29	End Cover	1	HT200
30	Oil Seal	1	
31	Frame	1	HT200

Project	Project ID	Created by	Created on	Last update
---------	------------	------------	------------	-------------



Parts and Materials

Horizontal Centrifugal Slurry Pump - GAZ150-1-C50

Revision no.

Page:
5

Receiver

From

Company name
 Respons. Department
 Person in charge
 Phone number
 Fax no
 E-mail address

Item	Parts Name	Qty	Material
32	Oil Pointer	1	
33	Paper Doily	1 set	
34	Shaft	1	
35	Plug R 1/2	1	
36	End Cover Seal Ring	1	Rubber
37	Bearing Box	1	
38	Bearing Box Bolts	8	
39	Oil Seal Driven	1	
40	Key	1	
41	Lock Nut	1	
42	Retainer	1	
43	End Cover Driven	1	
44	End Cover Bolts	16	
45	Bearing	2	
46	Frame Studs	6	

47	Nuts	12	
48	Eyebolts	3	
49	Oil Hole Cover	1	
50	Location Pin	3	
51	Bearing	1	
52	Retainer	1	
53	Stuffing Gland	1 set	HT200
54	Nipple	1	
55	Expeller	1	
56	FPL Insert Bolts	4	
57	Discharge Coupling	1	HT200
58	Discharge Bolts	8	
59	Washer	14	
60	Discharge Join Ring	1	
61	Frame Plate Bolts	5	

Project	Project ID	Created by	Created on	Last update
---------	------------	------------	------------	-------------