



Technical Data

Horizontal Centrifugal Slurry Pump - GAZ100-1-B42

Revision no.

Page:
 1

Receiver

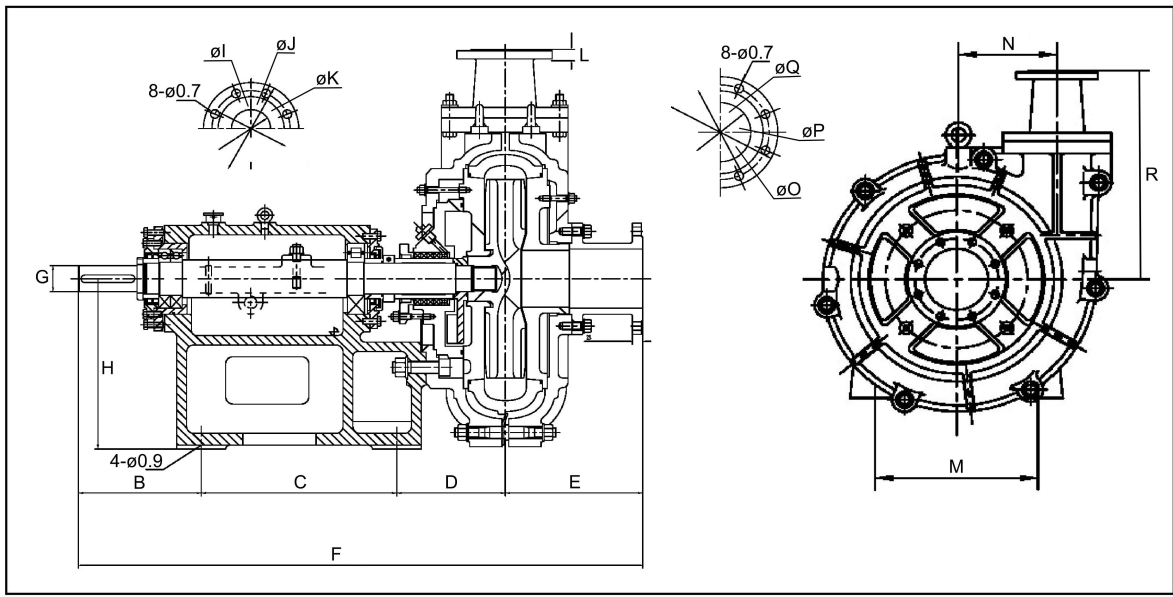
From

Company name
 Respons. Department
 Person in charge
 Phone number
 Fax no
 E-mail address



Brand: Gol Pumps
Model: GAZ100-1-B42

Dimensions:



Flange (inch)	
Inlet	Outlet
6	4

Pump Installation Size (inch)																	
B	C	D	E	F	G	H	I	J	K	L	M	N	O	P	Q	R	
10.3	15.7	9.1	11.6	46.1	2.2	14.2	7.1	8.5	3.9	0.8	17.7	9.8	8.9	9.8	5.9	19.2	

Project	Project ID	Created by	Created on	Last update
---------	------------	------------	------------	-------------



Performance Curve

Horizontal Centrifugal Slurry Pump - GAZ100-1-B42

Revision no. _____

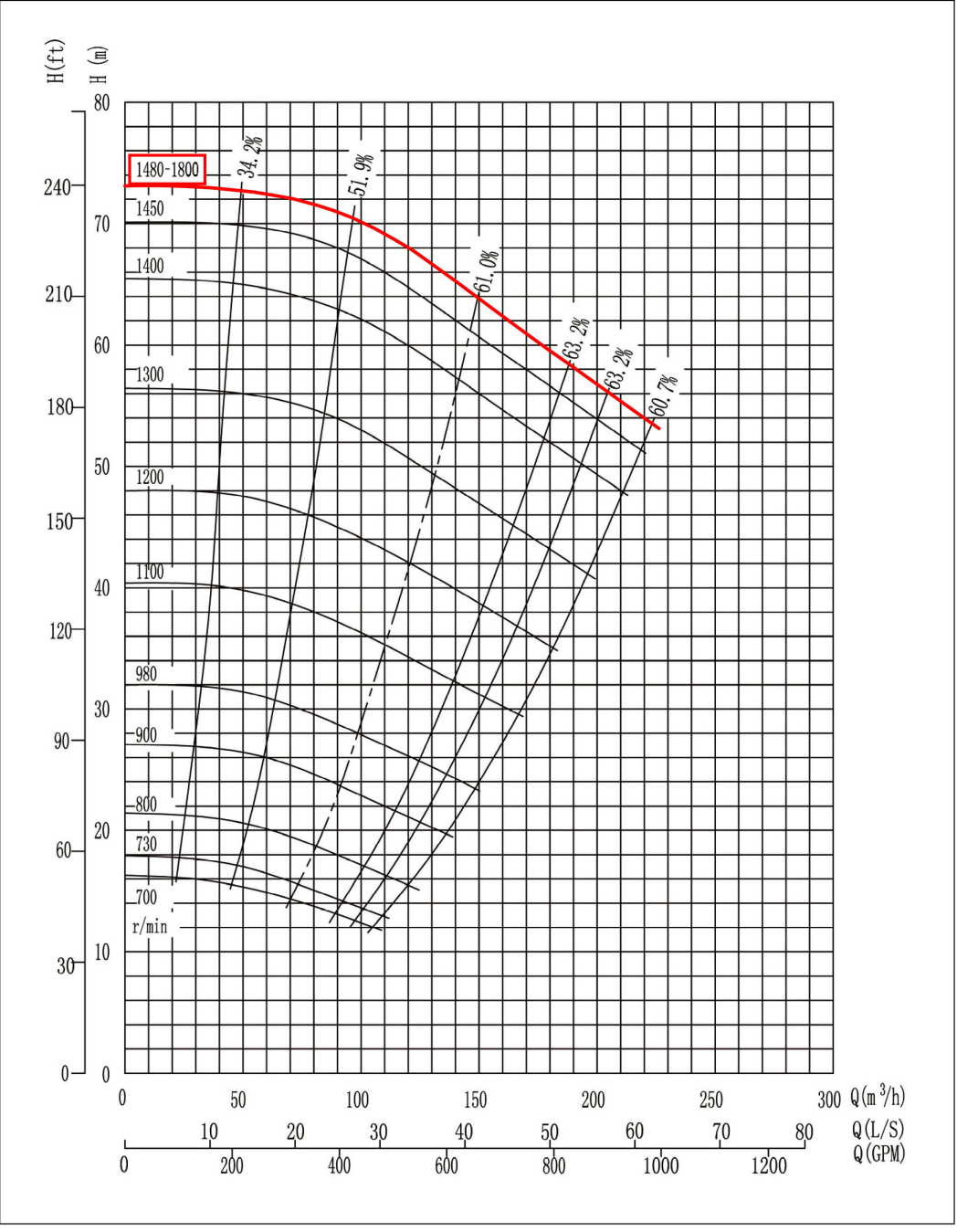
Page: 2

Receiver _____

From _____

Company name _____
 Respons. Department _____
 Person in charge _____
 Phone number _____
 Fax no _____
 E-mail address _____

Model	Inlet	Outlet	Power		Max. Solid Passing	Revolutions
	in	in	hp	kw	in	rpm
GAZ100-1-B42	6	4	100	75	0.7	1750



Project _____	Project ID _____	Created by _____	Created on _____	Last update _____
---------------	------------------	------------------	------------------	-------------------



Pump and Motor

Horizontal Centrifugal Slurry Pump - GAZ100-1-B42

Revision no.

Page:
 3

Receiver

From

Company name
 Respons. Department
 Person in charge
 Phone number
 Fax no
 E-mail address



Motor Type		TEFC
Nominal Voltage	V	460 - 3ph
Power Factor		0.85
Stator Current	A	116
Motor Power	HP	100
Frequency	HZ	60
Efficiency	%	95.4
Speed	RPM	1789
Protection Class	IP	55
Approx. Weight	LB	1585
Manufacturer		WEG

Project	Project ID	Created by	Created on	Last update
---------	------------	------------	------------	-------------



Parts and Materials

Horizontal Centrifugal Slurry Pump - GAZ100-1-B42

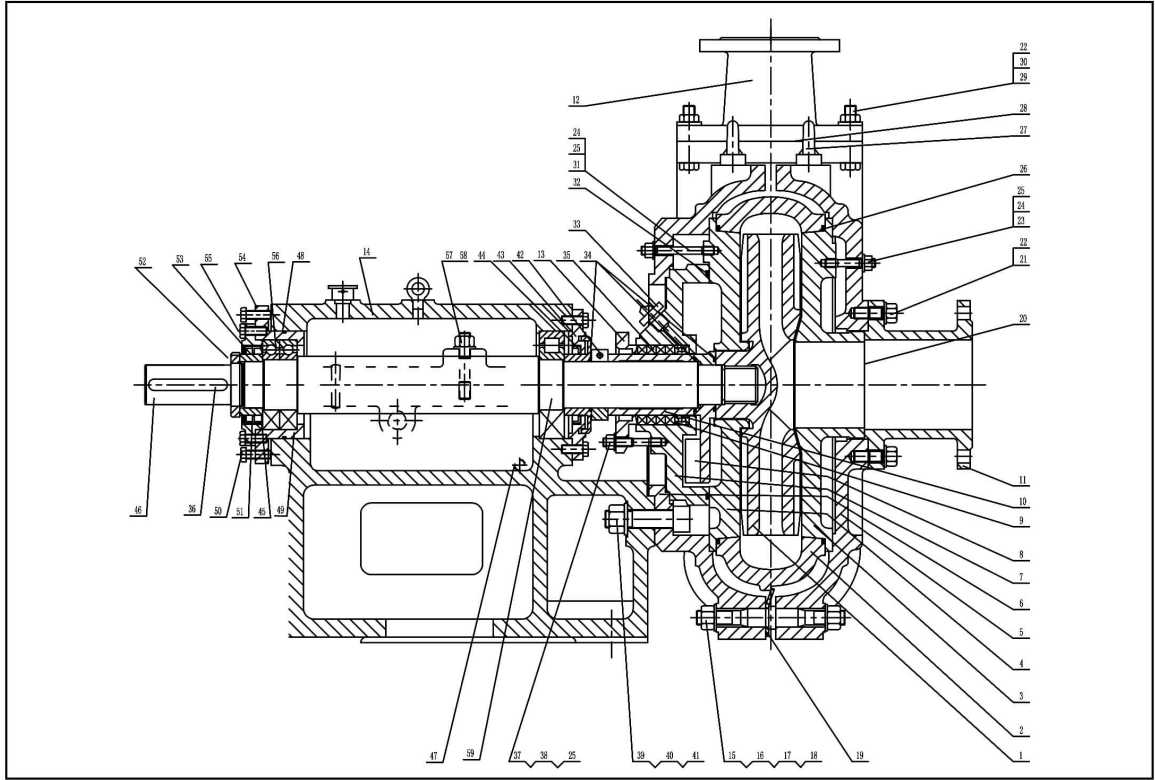
Revision no.

Page:
 4

Receiver

From

Company name
 Respons. Department
 Person in charge
 Phone number
 Fax no
 E-mail address



Item	Parts Name	Qty	Material
1	Impeller	1	Cr27MoNi
2	Volute Liner	1	Cr27MoNi
3	Throat Bush	1	Cr27MoNi
4	FPL Insert	1	Cr27MoNi
5	Cover Plate	1	HT200
6	Frame Plate	1	HT200
7	Stuffing Box	1	Cr27MoNi
8	Expeller	1	Cr27MoNi
9	Lantern Ring	1	
10	Shaft Sleeve	1	3Cr13
11	Intake Coupling	1	
12	Discharge Coupling	1	
13	Stuffing Gland	1	HT200
14	Frame	1 set	
15	Frame Plate Bolts A	2	

16	Frame Plate Bolts B	5	
17	Nuts	18	
18	Washers	18	
19	Cotter	2	
20	Intake Joint Ring	1	Rubber
21	Intake Studs	8	
22	Washers	16	
23	Cover Plate Studs	4	
24	Nuts	8	
25	Washers	10	
26	Seal Ring	2	Rubber
27	Eyebolts	2	
28	Discharge Joint Ring	1	Rubber
29	Discharge Bolts	8	
30	Nuts	8	
31	FPL Insert Studs	4	

Project	Project ID	Created by	Created on	Last update
---------	------------	------------	------------	-------------



Parts and Materials
Horizontal Centrifugal Slurry Pump - GAZ100-1-B42

Revision no.

Page:
 5

Receiver

From

Company name
 Respons. Department
 Person in charge
 Phone number
 Fax no
 E-mail address

Item	Parts Name	Qty	Material
32	Seal Ring	1	Rubber
33	Nipple	1	
34	O Ring	3	Rubber
35	Packing	4	
36	Key	1	
37	Studs	2	
38	Nuts	2	
39	Nuts M24	3	
40	Washers M24	3	
41	Adjust Studs M24	3	
42	Release Collar	1	
43	End Cover	1	HT200
44	Oil Seal	1	
45	Papper Doily	1 set	0.2Fishpaper
46	Shaft	1	

47	Plug R1/2	1	
48	End Cover Seal Ring	1	Rubber
49	Bearing Box	1	
50	Bearing Box Bolts	12	
51	Oil Seal Driven	1	
52	Lock Nut	1	
53	Retainer	1	
54	End Cover Driven	1	
55	End Cover Bolts	6	
56	Bearing	2	
57	Frame Studs	8	
58	Nuts	8	
59	Bearing	1	

Project	Project ID	Created by	Created on	Last update
---------	------------	------------	------------	-------------